

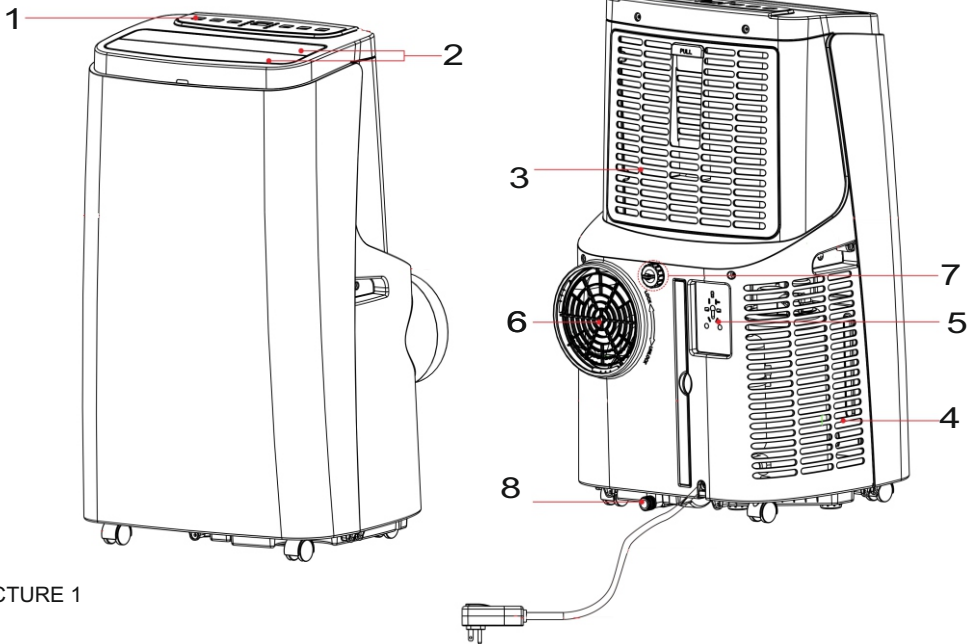
Camry

— Premium —

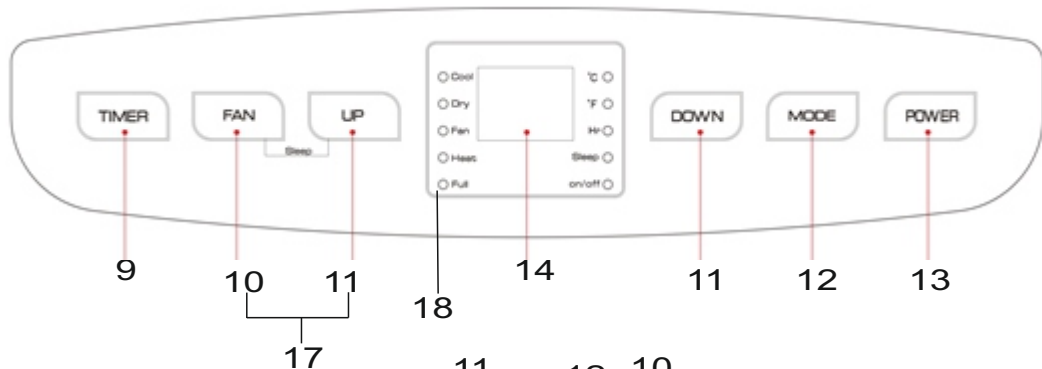


CR 7907

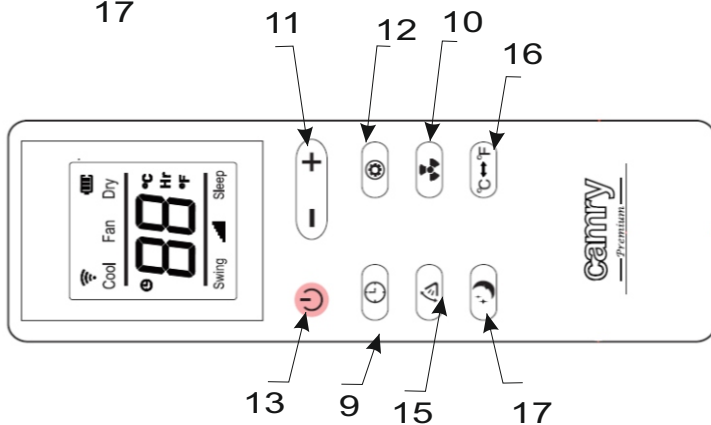
(GB) user manual - 5	(DE) bedienungsanweisung - 10
(FR) mode d'emploi - 14	(ES) manual de uso - 18
(PT) manual de serviço - 23	(LT) naudojimo instrukcija - 27
(LV) lietošanas instrukcija - 31	(EST) kasutusjuhend - 35
(HU) felhasználói kézikönyv - 47	(BS) upute za rad - 43
(RO) Instrucțiunea de deservire - 39	(CZ) návod k obsluze - 71
(RU) инструкция обслуживания - 55	(GR) οδηγίες χρήσεως - 79
(MK) упатство за корисникот - 100	(NL) handleiding - 84
(SL) navodila za uporabo - 68	(FI) manual ng pagtuturo - 51
(PL) instrukcja obsługi - 111	(IT) istruzioni operative - 59
(HR) upute za uporabu - 64	(SV) instruktionsbok - 92
(DK) brugsanvisning - 75	(UA) інструкція з експлуатації - 96
(SR) Корисничко упутство - 88	(SK) Používateľská príručka - 105
(AR) دليل التعليمات - 116	(BG) Инструкция за употреба - 119



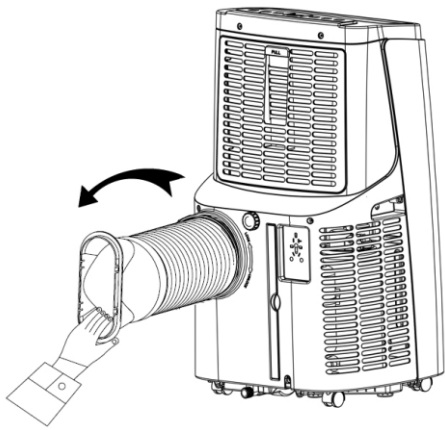
PICTURE 1



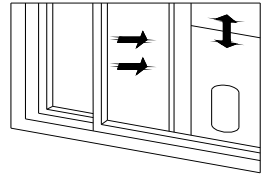
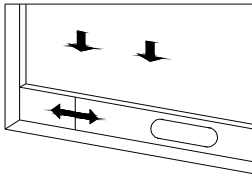
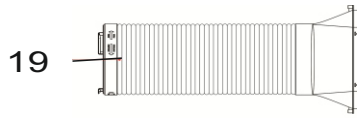
PICTURE 2



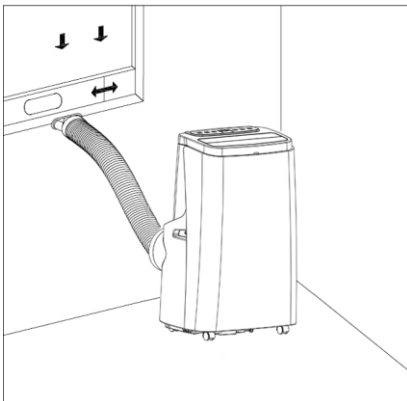
PICTURE 3



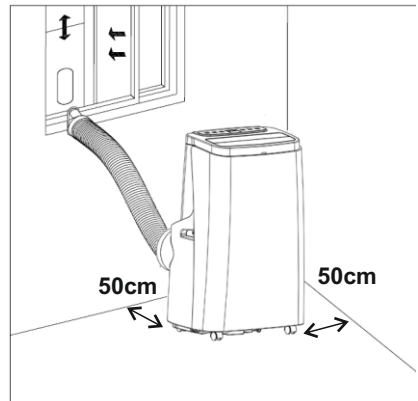
PICTURE 4

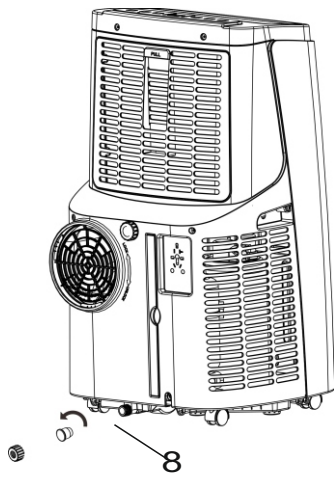


PICTURE 5

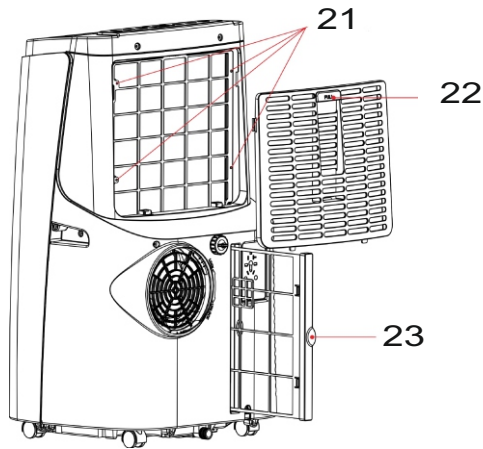


PICTURE 6

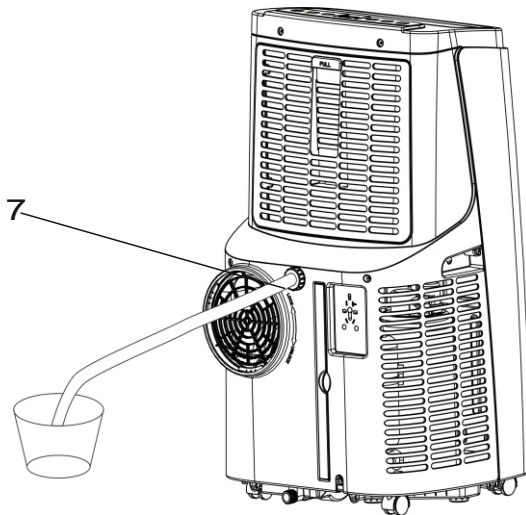




PICTURE 7



PICTURE 8



PICTURE 9

SAFETY CONDITIONS. IMPORTANT INSTRUCTIONS ON SAFETY OF USE
PLEASE READ CAREFULLY AND KEEP FOR FUTURE REFERENCE

1. Before using the device, read the operating manual and follow the instructions contained in it. The manufacturer is not liable for damages caused by using the device contrary to its intended purpose or improper operation.
2. The device is for home use only. Do not use for other purposes that are not for its intended purpose.
3. The device should only be connected to an AC outlet with a grounded 220-240V ~ 50Hz. To increase operational safety, multiple electrical devices should not be connected to one current circuit at the same time.
4. Use extreme caution when using the device when children are nearby. Do not allow children to play with the device, do not allow children or people unfamiliar with the device to use it.
5. **WARNING:** This equipment may be used by children over 8 years of age and people with limited physical, sensory or mental ability, or people who have no experience or knowledge of the equipment, if this is done under the supervision of a person responsible for their safety or have been granted them information on the safe use of the device and are aware of the dangers of using it. Children should not play with the equipment. Cleaning and maintenance of the device should not be performed by children, unless they are over 8 years old and these activities are carried out under supervision.
6. Always disconnect the power plug by holding the socket with your hand after use. **DO NOT** pull on the power cord.
7. Do not immerse the cable, plug and the whole device in water or any other liquid. Do not expose the device to atmospheric conditions (rain, sun, etc.) or use in conditions of high humidity (bathrooms, damp mobile homes).
8. Periodically check the condition of the power cord. If the power cord is damaged, it should be replaced by a specialist repair shop to avoid danger.
9. Do not use the appliance with a damaged power cord or if it has been dropped or damaged in any other way or if it is not working properly. Do not repair the device yourself, as there is a risk of electric shock. Take the damaged device to an appropriate service center for checking or repair. All repairs may only be carried out by authorized service points. Incorrectly performed repairs can cause serious danger for the user.
10. Place the device on a cool, stable surface, away from hot kitchen appliances such as: electric stove, gas burner, etc.
11. Make sure that nothing is blocking the air inlet and outlet of the device
12. Use the device only on a level surface to prevent the condensation from spilling out
13. To provide additional protection, it is advisable to install a residual current device (RCD) in the electric circuit with a rated residual current not exceeding 30mA. Ask an electrician for this.

14. Clean the air filter regularly. The frequency of cleaning depends on the cleanliness of the air.
15. After turning off the machine, wait at least 5 minutes before turning it back on.
16. Do not use the device in sunny places. When the device overheats, the overheat protection will switch on the device.
17. To ensure effective cooling, a distance of at least 50 cm should be kept between the side walls of the device and the wall or furniture or curtains.
18. Due to the limited performance of the device, if the difference between the target temperature and the ambient temperature is too great, the target temperature may not be reached.
19. To reduce the risk of fire, electric shock or injury when using the air conditioner, observe the following basic precautions:
 - a) Connect to a grounded outlet with 3 pins.
 - b) Do not remove the grounding prong.
 - c) Do not use the adapter.
 - d) Do not use an extension cord.
 - e) Disconnect the air conditioner before servicing.
 - f) Use two or more people to move and install the air conditioner.
20. Do not use agents accelerating the defrosting or cleaning process other than those recommended by the manufacturer.
21. The device should be stored in a room without constantly operating sources of ignition, for example: open fire, gas appliances or electric heaters.

DEVICE DESCRIPTION

1. Control Panel
2. Adjustable vent
3. Air filter housing
4. Air inlet
5. Place for the plug
6. Exhaust pipe fitting
7. Drainage hole for continuous water discharge
8. Drainage hole for complete discharge of water from device
9. TIMER button
10. FAN button
11. UP / DOWN temperature & time button
12. MODE choice button
13. POWER button
14. LCD Display
15. Vertical oscillation button
16. Button for changing the temperature unit
17. SLEEP mode button
18. Full water tank control lamp "FL"
19. Exhaust pipe

20. Window seal plate assembly
21. Retaining screw
22. Wedging block for upper filter
23. Wedging block for lower filter

ASSEMBLING

Before first use, assembly the device as below:

1. The device should be placed on a flat surface. The distance to wall or other objects shall be least 50 cm to not limit air flow – look at picture 6. Do not install and use the device in the bathroom or other high humid environments.
2. Install the window sealing plate assembly (20):
 - a) Half open the window, and mount the window sealing plate assembly (20) to the window (as shown on picture 5); the assembly (20) can be placed in horizontal and vertical direction.
 - b) Pull various components of the window sealing plate assembly open, adjust opening distance to bring both ends of the assembly into contact with the window frame, and fix components of the assembly.
3. Elongate the exhaust pipe (19) and snap the flat end of the heat pipe joints into the elliptical hole of the window sealing plate assembly (as shown on picture 6).

Notes: 1. the flat end of the exhaust pipe joints must be snapped into place.

4. The length of the exhaust hose shall be 280~1,500mm, it cannot be distorted nor has substantial turning (greater than 45°). Exhaust must be unobstructed; otherwise it may cause overheating. Do not use extension tubes or replace it with other different hoses, or this may cause a malfunction.

DEVICE OPERATION

After connecting the device to the mains, the buzzer will play power-on music, it will go into standby mode and will display the present ambient temperature.

1. To turn on or off the device, press the button (13).
2. Press the button (12) to select one of the available modes: COOL -> FAN -> DRY
3. In the COOL mode, set the temperature using the UP / DOWN buttons (11). It is not available in fan and dehumidification mode.)
4. During COOL or FAN modes use FAN button (10) to set the fan speed: STRONG (F3), MEDIUM (F2), WEAK (F1). But wind speed operation is limited by anti-cold conditions, under certain conditions, it may not run according to the set wind speed. In DRY mode fan is automatically set to level WEAK.
5. When the device is turned off it can be turned on with a delay by pressing the TIMER button (9). Press the UP / DOWN buttons (11) to set the time for the device to be activated by selecting the time in the range of 1-24 hours. When the device is turned on it can be turned off with delay by pressing the TIMER button (9). Press the UP / DOWN buttons (11) to set the time for the device to be switched off by selecting the time in the range of 1-24 hours.
6. By pressing simultaneously the UP button (11) and FAN button (10) or by pressing the button SLEEP (17) on remote control the device can be switched to sleep mode. The device will then operate quietly in the energy-saving mode. This function is only available in COOL mode, not available in FAN and DRY modes.
7. The units (°C <-> °F) of required room temperature can be changed by pressing button (16) on remote control or simultaneously press both buttons up key (11) and down key (11) to switch between Celsius (°C) and Fahrenheit (°F).
8. Press the button (15) to start the air oscillation, the blinds will move vertically. Press it again to stop air oscillation.

DRAINAGE INSTRUCTIONS

MANUAL DRAINAGE: When water in the water pan exceeds the warning level, the device will automatically sound an alarm and the LCD display (14) area will show "FL". Also the FULL water control lamp (18) will light up. Then turn off the device and remove the plug from the

socket. Move the device carefully, so as not to spill the water in the water pan at the bottom of the housing. Then put some container (not included in set) under the drainage hole (8), unscrew it and remove the cap closing the opening – look at picture 7. Let the water to pour out, during drainage, the housing can be tilted slightly backwards. Then install it again and turn on the device.

CONTINUOUS DRAINAGE: In the COOL and DRY mode, you can connect the pipe (not included in set) to the constant drainage – picture 9. To do this, unscrew and remove the cap closing the opening of the continuous water drainage (7). Then, set drainage hose (not included in set) into the water outlet and put the other end in a capacious vessel.

PROTECTION DEVICES

1. Frost Protection Function: in cooling, dehumidification or economic power saving mode, if the temperature of the exhaust pipe is too low, the machine will automatically enter protection status; if the temperature of the exhaust pipe rises to a certain temperature, it can automatically revert to normal operation.
2. Overflow Protection Function: read DRAINAGE INSTRUCTIONS chapter. After the water is emptied, the machine will automatically return to the original state.
3. Automatic Defrosting: the device has automatic defrosting function: during defrosting, heating symbol on the display screen will flash.
4. Protection Function of the Compressor: to increase the service life of the compressor, it has a 3 minutes delay booting protection function after the compressor is turned off.

CLEANING & MAINTENANCE

Cleaning: before cleaning and maintenance, turn off the device and unplug the plug.

1) Housing cleaning

Clean with surface of device with a wet soft cloth. Don't use chemicals, such as benzene, alcohol, gasoline, otherwise, the surface of the device will be damaged or even the whole machine will be damaged.

2) Net filters cleaning

If the filter is clogged with dust, then the effectiveness of the device is reduced, be sure to clean the filter once every two weeks. Clean the upper and down filters frames after remove them from the back side of device – picture 8.

* Upper filter screen frame: Clasp the wedging block of the filter screen frame with hands. Force down from the outside to remove the filter screen frame. Unscrew four screws fixing the filter screen and the rear housing to remove the filter screen (as shown in picture 8) .

* Lower filter screen frame: Hold the handle of the filter screen frame, and pull it outward gently to remove it.

* Put both filter screens into warm water with neutral detergent (about 40 °C / 104 °F) and dry them in the shade after rinsing clean.

STORAGE

If the device will be unused for a long time, please do as following :

1. Pull out drainage plug (8) to flow out water.
2. Let the device runs under fan mode for 2 hours to dry out the device's internal.
3. Turn off the device and pull out plug .
4. Clean and dry filters, then reinstall them.
5. Pull out exhaust pipe for safe keeping .
6. Put the machine into plastic bag , and place it on a dry place.
7. Remove batteries of the remote control and keep them properly.

TROUBLESHOOTING

Problem 1.: The air conditioning does not work.

Reason 1: There is no electricity. So, turn it on after connecting it to a socket with electricity.

Reason 2: The water full control lamp displays "FL". So, discharge the water.

Reason 3: In cooling mode, the room temperature is lower than the set temperature. So, change the temperature level.

Reason 4: In dehumidification mode, the ambient temperature is low. Please do note that the device is placed in a room with an ambient temperature of greater than 17 °C (62 °F).

Reason 5: The ambient temperature is too low or too high. The intended operation temperature of the device is 7-35 °C (44-95 °F).

Problem II.: The cooling effect is not good.

Reason 1: Direct sunlight. So, draw the curtains.

Reason 2: Door and windows are open, many heat sources in the room. So, close the door and windows, move out heat sources.

Reason 3: Filters are too dirty. So, clean or replace filters.

Reason 4: Air-inlet or air out-let is blocked. So, remove blockage.

Problem III.: Big Noise

Reason: The device is not placed on a flat surface. So, put the device on a flat and hard place to reduce noise.

Problem IV.: Compressor does not work.

Reason: Compressor time-delay protection turn on. So, wait for 3 minutes until the temperature is lowered, and then restart the machine.

Problem V.: The remote control does not work.

Reason 1: The distance between the machine and the remote control is too far. So, let the remote control get close to the air conditioning, and make sure that the remote control directly faces to the direction of the remote control receiver.

Reason 2: The remote control is not aligned with the direction of the remote control receiver. So, let the remote control get close to the air conditioning, and make sure that the remote control directly faces to the direction of the remote control receiver.

Reason 3: Batteries are dead. So, replace batteries.

Problem V.: Display shows: "E1".

Reason: The pipe temperature sensor is abnormal. So, contact professional service for help.

Problem VI.: Display shows: "E2".

Reason: The room temperature sensor is abnormal. So, contact professional service for help.

Note: when abnormal situations are occurred, turn off machine and pull out plug, then contact with professional service for help.

Do not repair the device yourself. Not qualified repair will void the warranty.

TECHNICAL DATA:

Cooling capacity at BTU: 12000 BTU / hour

Cooling capacity in watts: 3520 W

Energy consumption (cooling) in watts: 1350 W

Air flow: 400 m³ / hour

Drying capacity: 28 liters / 24 hours

Energy class: A

Timer: 1-24 hours

Cooling agent: R290, 230 grams

Noise level: < 65dB

Voltage: 220-240 V ~50Hz



Caution, risk of fire.

Do NOT pierce or burn.

Be aware that the refrigerant may not contain an odour.



To protect your environment: please separate carton boxes and plastic bags and dispose them in corresponding waste bins. Used appliance should be delivered to the dedicated collecting points due to hazardous components, which may affect the environment. Do not dispose this appliance in the common waste bin.

ALLGEMEINE SICHERHEITSVORSCHRIFTEN

WICHTIGE SICHERHEITSHINWEISE SORGFÄLTIG DURCHLESEN UND FÜR DIE ZUKUNFT AUFBEWAHREN

1. Lesen Sie vor dem Gebrauch des Geräts die Bedienungsanleitung und befolgen Sie die darin enthaltenen Anweisungen. Der Hersteller haftet nicht für Schäden, die durch nicht bestimmungsgemäßen Gebrauch oder unsachgemäßen Betrieb des Gerätes verursacht werden.
2. Das Gerät ist nur für den Heimgebrauch bestimmt. Verwenden Sie es nicht für andere Zwecke, die nicht für den vorgesehenen Zweck bestimmt sind.
3. Das Gerät darf nur an eine Netzsteckdose mit 220-240 V ~ 50 Hz angeschlossen werden. Um die Betriebssicherheit zu erhöhen, sollten nicht mehrere elektrische Geräte gleichzeitig an einen Stromkreis angeschlossen werden.
4. Seien Sie äußerst vorsichtig, wenn Sie das Gerät in der Nähe von Kindern verwenden. Erlauben Sie Kindern nicht, mit dem Gerät zu spielen. Erlauben Sie Kindern oder Personen, die mit dem Gerät nicht vertraut sind, nicht, es zu benutzen.
5. **WARNUNG:** Dieses Gerät darf von Kindern über 8 Jahren und Personen mit eingeschränkten körperlichen, sensorischen oder geistigen Fähigkeiten oder Personen ohne Erfahrung oder Kenntnis des Geräts verwendet werden, wenn dies unter Aufsicht einer verantwortlichen Person erfolgt zu ihrer Sicherheit oder ihnen wurden Informationen über den sicheren Gebrauch des Geräts erteilt, und sie sind sich der Gefahren bei der Verwendung des Geräts bewusst. Kinder sollten nicht mit dem Gerät spielen. Die Reinigung und Wartung des Geräts darf nur von Kindern durchgeführt werden, die älter als 8 Jahre sind und diese Tätigkeiten unter Aufsicht ausführen.
6. Ziehen Sie nach dem Gebrauch immer den Netzstecker, indem Sie die Steckdose mit der Hand festhalten. NICHT am Netzkabel ziehen.
7. Tauchen Sie das Kabel, den Stecker und das gesamte Gerät nicht in Wasser oder andere Flüssigkeiten. Setzen Sie das Gerät keinen atmosphärischen Bedingungen aus (Regen, Sonne usw.) und verwenden Sie es nicht bei hoher Luftfeuchtigkeit (Badezimmer, feuchte Mobilheime).
8. Überprüfen Sie regelmäßig den Zustand des Netzkabels. Wenn das Netzkabel beschädigt ist, sollte es von einer Fachwerkstatt ausgetauscht werden, um Gefahren zu vermeiden.
9. Verwenden Sie das Gerät nicht mit einem beschädigten Netzkabel oder wenn es fallen gelassen oder auf andere Weise beschädigt wurde oder wenn es nicht richtig funktioniert. Reparieren Sie das Gerät nicht selbst, da die Gefahr eines Stromschlags besteht. Bringen Sie das beschädigte Gerät zur Überprüfung oder Reparatur zu einem geeigneten Servicecenter. Alle Reparaturen dürfen nur von autorisierten Servicestellen durchgeführt werden. Durch unsachgemäße Reparaturen können ernsthafte Gefahren für den Benutzer entstehen.
10. Stellen Sie das Gerät auf eine kühle, stabile Oberfläche, entfernt von heißen Küchengeräten wie Elektroherd, Gasbrenner usw..
11. Stellen Sie sicher, dass nichts den Lufteinlass und -auslass des Geräts blockiert

12. Verwenden Sie das Gerät nur auf einer ebenen Fläche, damit kein Kondenswasser austreten kann
13. Um einen zusätzlichen Schutz zu gewährleisten, wird empfohlen, im Stromkreis einen Fehlerstromschutzschalter (RCD) mit einem Bemessungsfehlerstrom von nicht mehr als 30 mA zu installieren. Bitten Sie einen Elektriker darum.
14. Reinigen Sie den Luftfilter regelmäßig. Die Häufigkeit der Reinigung hängt von der Luftreinheit ab.
15. Warten Sie nach dem Ausschalten des Geräts mindestens 5 Minuten, bevor Sie es wieder einschalten.
16. Verwenden Sie das Gerät nicht an sonnigen Orten. Wenn das Gerät überhitzt, schaltet der Überhitzungsschutz das Gerät ein.
17. Um eine effektive Kühlung zu gewährleisten, sollte ein Abstand von mindestens 50 cm zwischen den Seitenwänden des Geräts und der Wand oder den Möbeln oder Vorhängen eingehalten werden.
18. Aufgrund der eingeschränkten Leistung des Geräts wird die Zieltemperatur möglicherweise nicht erreicht, wenn der Unterschied zwischen der Zieltemperatur und der Umgebungstemperatur zu groß ist.
19. Beachten Sie die folgenden grundlegenden Vorsichtsmaßnahmen, um die Gefahr von Bränden, Stromschlägen oder Verletzungen bei der Verwendung der Klimaanlage zu verringern:
 - a) An eine geerdete Steckdose mit 3 Stiften anschließen.
 - b) Entfernen Sie nicht den Erdungsstift.
 - c) Verwenden Sie den Adapter nicht.
 - d) Verwenden Sie kein Verlängerungskabel.
 - e) Trennen Sie die Klimaanlage vor Wartungsarbeiten vom Stromnetz.
 - f) Verwenden Sie zwei oder mehr Personen, um die Klimaanlage zu bewegen und zu installieren.
20. Verwenden Sie keine anderen Mittel, die den Auftau- oder Reinigungsprozess beschleunigen, als die vom Hersteller empfohlenen.
21. Das Gerät sollte in einem Raum ohne ständig in Betrieb befindliche Zündquellen gelagert werden, zum Beispiel: offenes Feuer, Gasgeräte oder elektrische Heizungen.

GERÄTEBESCHREIBUNG

1. Systemsteuerung
2. Einstellbare Entlüftung
3. Luftfiltergehäuse
4. Lufteinlass
5. Platz für den Stecker
6. Abgasrohrverschraubung
7. Ablauföffnung für kontinuierlichen Wasserablauf
8. Ablaufbohrung zum vollständigen Ablassen des Wassers aus dem Gerät
9. TIMER-Taste
10. FAN-Taste
11. UP / DOWN Temperatur- und Zeittaste
12. MODE-Auswahl Taste
13. POWER-Taste
14. LCD-Anzeige

15. Vertikaler Oszillationsknopf
16. Taste zum Ändern der Temperatureinheit
17. SLEEP-Modus-Taste
18. Kontrollleuchte für vollen Wassertank "FL"
19. Auspuffrohr
20. Baugruppe Fensterdichtungsplatte
21. Halteschraube
22. Keilblock für oberen Filter
23. Keilblock für unteren Filter

MONTAGE

Bauen Sie das Gerät vor dem ersten Gebrauch wie folgt zusammen:

1. Das Gerät sollte auf einer ebenen Fläche aufgestellt werden. Der Abstand zur Wand oder anderen Gegenständen muss mindestens 50 cm betragen, um die Luftzirkulation nicht zu beeinträchtigen - siehe Abbildung 6. Installieren und verwenden Sie das Gerät nicht im Badezimmer oder in Umgebungen mit hoher Luftfeuchtigkeit.
2. Die Baugruppe Fensterdichtungsplatte (20) einbauen:
 - a) Öffnen Sie das Fenster zur Hälfte und bringen Sie die Fensterdichtungsplatte (20) am Fenster an (siehe Abbildung 5). Die Anordnung (20) kann in horizontaler und vertikaler Richtung angeordnet werden.
 - b) Ziehen Sie verschiedene Komponenten der Fensterdichtungsplattenbaugruppe auf, stellen Sie den Öffnungsabstand so ein, dass beide Enden der Baugruppe mit dem Fensterrahmen in Kontakt kommen, und befestigen Sie die Komponenten der Baugruppe.
3. Verlängern Sie das Abgasrohr (19) und schnappen Sie das flache Ende der Wärmerohrverbindungen in das elliptische Loch der Fensterdichtungsplattenbaugruppe (siehe Abbildung 6).

Hinweise: 1. Das flache Ende der Abgasrohrverbindungen muss eingerastet sein.

4. Der Abgasschlauch muss eine Länge von 280 bis 1.500 mm haben, darf nicht verzogen sein und darf sich nicht wesentlich drehen (über 45 °). Der Auspuff muss frei sein. Andernfalls kann es zu einer Überhitzung kommen. Verwenden Sie keine Verlängerungsrohre und ersetzen Sie diese nicht durch andere Schläuche, da dies zu Fehlfunktionen führen kann.

GERÄTEBETRIEB

Nach dem Anschließen des Geräts an das Stromnetz gibt der Summer Einschaltmusik wieder, wechselt in den Standby-Modus und zeigt die aktuelle Umgebungstemperatur an.

1. Um das Gerät ein- oder auszuschalten, drücken Sie die Taste (13).
2. Drücken Sie die Taste (12), um einen der verfügbaren Modi auszuwählen: COOL -> FAN -> DRY
3. Stellen Sie im COOL-Modus die Temperatur mit den UP / DOWN-Tasten (11) ein. Im Lüfter- und Entfeuchtungsmodus ist dies nicht möglich.)
4. Stellen Sie im COOL- oder FAN-Modus mit der FAN-Taste (10) die Lüfterdrehzahl ein: STARK (F3), MITTEL (F2), SCHWACH (F1). Der Windgeschwindigkeitsbetrieb ist jedoch durch die Kälteschutzbedingungen begrenzt. Unter bestimmten Bedingungen kann es vorkommen, dass der Wind nicht mit der eingestellten Windgeschwindigkeit läuft. Im DRY-Modus wird der Lüfter automatisch auf die Stufe WEAK eingestellt.
5. Wenn das Gerät ausgeschaltet ist, kann es durch Drücken der Taste TIMER (9) verzögert eingeschaltet werden. Drücken Sie die UP / DOWN-Tasten (11), um die Zeit einzustellen, zu der das Gerät aktiviert werden soll, indem Sie eine Zeit im Bereich von 1 bis 24 Stunden auswählen. Wenn das Gerät eingeschaltet ist, kann es durch Drücken der TIMER-Taste (9) verzögert ausgeschaltet werden. Drücken Sie die UP / DOWN-Tasten (11), um die Zeit einzustellen, zu der das Gerät ausgeschaltet werden soll, indem Sie eine Zeit im Bereich von 1 bis 24 Stunden auswählen.
6. Durch gleichzeitiges Drücken der Tasten UP (11) und FAN (10) oder durch Drücken der Taste SLEEP (17) auf der Fernbedienung kann das Gerät in den Schlafmodus geschaltet werden. Das Gerät arbeitet dann im Energiesparmodus leise. Diese Funktion ist nur im COOL-Modus und nicht im FAN- und DRY-Modus verfügbar.
7. Die Einheiten (°C <-> °F) der gewünschten Raumtemperatur können durch Drücken der Taste (16) auf der Fernbedienung oder gleichzeitig durch Drücken der beiden Tasten Auf (11) und Ab (11) zum Umschalten zwischen Celsius (°C) geändert werden. und Fahrenheit (°F).
8. Drücken Sie die Taste (15), um die Luftoszillation zu starten. Die Jalousien bewegen sich vertikal. Drücken Sie erneut, um die Luftzirkulation zu stoppen.

ABLASSANLEITUNG

MANUELLES ENTLEREEN: Wenn das Wasser in der Wasserwanne den Warnpegel überschreitet, gibt das Gerät automatisch einen Alarm aus und auf dem LCD-Display (14) wird "FL" angezeigt. Auch die VOLLWASSER-Kontrollleuchte (18) leuchtet auf. Schalten Sie dann das Gerät aus und ziehen Sie den Stecker aus der Steckdose. Bewegen Sie das Gerät vorsichtig, damit kein Wasser in die Wasserwanne am Boden des Gehäuses gelangt. Stellen Sie dann einen Behälter (nicht im Set enthalten) unter die Ablauföffnung (8), schrauben Sie ihn ab und entfernen Sie die Kappe, die die Öffnung verschließt - siehe Bild 7. Lassen Sie das Wasser ablaufen, während des Ablaufens kann das Gehäuse leicht nach hinten geneigt werden. Installieren Sie es dann erneut und schalten Sie das Gerät ein.

KONTINUIERLICHE ENTWÄSSERUNG: Im Modus KÜHLEN und TROCKNEN können Sie das Rohr (nicht im Set enthalten) an die konstante Entwässerung anschließen - Bild 9. Dazu die Kappe abschrauben und entfernen, die die Öffnung der kontinuierlichen Entwässerung verschließt (7). Setzen Sie dann den Ablaufschlauch (nicht im Set enthalten) in den Wasserauslass ein und stecken Sie das

andere Ende in ein geräumiges Gefäß.

SCHUTZVORRICHTUNGEN

1. Frostschutzfunktion: Wenn im Kühl-, Entfeuchtungs- oder Energiesparmodus die Temperatur des Auspuffrohrs zu niedrig ist, wechselt die Maschine automatisch in den Schutzstatus. Wenn die Temperatur des Auspuffrohrs auf eine bestimmte Temperatur ansteigt, kann es automatisch zum normalen Betrieb zurückkehren.
2. Überlaufschutzfunktion: siehe Kapitel ENTLERUNGSANLEITUNG. Nach dem Entleeren des Wassers kehrt die Maschine automatisch in den ursprünglichen Zustand zurück.
3. Automatisches Abtauen: Das Gerät verfügt über eine automatische Abtaufunktion: Während des Abtauens blinkt das Heizsymbol auf dem Display.
4. Schutzfunktion des Kompressors: Um die Lebensdauer des Kompressors zu verlängern, verfügt er nach dem Ausschalten des Kompressors über eine 3-minütige Startschutzfunktion.

REINIGUNG & WARTUNG

Reinigung: Schalten Sie vor der Reinigung und Wartung das Gerät aus und ziehen Sie den Netzstecker.

1) Wohnungsreinigung

Reinigen Sie die Oberfläche des Geräts mit einem feuchten, weichen Tuch. Verwenden Sie keine Chemikalien wie Benzin, Alkohol oder Benzin, da sonst die Oberfläche des Geräts beschädigt oder sogar die gesamte Maschine beschädigt wird.

2) Netzfilterreinigung

Wenn der Filter durch Staub verstopft ist, verringert sich die Wirksamkeit des Geräts. Reinigen Sie den Filter unbedingt alle zwei Wochen.

Reinigen Sie den oberen und unteren Filterrahmen, nachdem Sie sie von der Rückseite des Geräts entfernt haben - Abbildung 8.

* Oberer Filtersiebrahmen: Fassen Sie den Keilblock des Filtersiebrahmens mit den Händen. Von außen nach unten drücken, um den Filtersiebrahmen zu entfernen. Lösen Sie die vier Schrauben, mit denen das Filtersieb und das hintere Gehäuse befestigt sind, um das Filtersieb zu entfernen (siehe Abbildung 8).

* Unterer Filtersiebrahmen: Halten Sie den Griff des Filtersiebrahmens und ziehen Sie ihn vorsichtig nach außen, um ihn zu entfernen.

* Legen Sie beide Filtersiebe in warmes Wasser mit neutralem Reinigungsmittel (ca. 40 °C / 104 °F) und trocknen Sie sie nach dem Abspülen im Schatten.

LAGER

Wenn das Gerät längere Zeit nicht benutzt wird, gehen Sie bitte wie folgt vor:

1. Ablassschraube (8) herausziehen, um Wasser abzulassen.
2. Lassen Sie das Gerät 2 Stunden lang im Lüftermodus laufen, um das interne Gerät auszutrocknen.
3. Schalten Sie das Gerät aus und ziehen Sie den Stecker heraus.
4. Reinigen und trocknen Sie die Filter und setzen Sie sie wieder ein.
5. Ziehen Sie den Auspuff zur sicheren Aufbewahrung heraus.
6. Legen Sie die Maschine in eine Plastiktüte und stellen Sie sie an einen trockenen Ort.
7. Entfernen Sie die Batterien der Fernbedienung und bewahren Sie diese ordnungsgemäß auf.

FEHLERBEHEBUNG

Problem I.: Die Klimaanlage funktioniert nicht.

Grund 1: Es gibt keinen Strom. Schalten Sie es also ein, nachdem Sie es an eine Steckdose mit Strom angeschlossen haben.

Grund 2: Die Wasservollkontrollleuchte zeigt "FL" an. Also, entleere das Wasser.

Grund 3: Im Kühlmodus ist die Raumtemperatur niedriger als die eingestellte Temperatur. Ändern Sie also die Temperaturstufe.

Grund 4: Im Entfeuchtungsmodus ist die Umgebungstemperatur niedrig. Bitte beachten Sie, dass das Gerät in einem Raum mit einer Umgebungstemperatur von mehr als 62 °C aufgestellt wird.

Grund 5: Die Umgebungstemperatur ist zu niedrig oder zu hoch. Die vorgesehene Betriebstemperatur des Geräts beträgt 7-35 °C (44-95 °C).

Problem II.: Die Kühlwirkung ist nicht gut.

Grund 1: Direkte Sonneneinstrahlung. Also, die Vorhänge zugezogen.

Grund 2: Tür und Fenster sind offen, viele Wärmequellen im Raum. Schließen Sie also die Tür und die Fenster und entfernen Sie die Wärmequellen.

Grund 3: Filter sind zu verschmutzt. Reinigen oder ersetzen Sie die Filter.

Grund 4: Luftein- oder Luftaustritt ist blockiert. Entfernen Sie also die Blockade.

Aufgabe III.: Großes Rauschen

Grund: Das Gerät steht nicht auf einer ebenen Fläche. Stellen Sie das Gerät daher auf eine flache und harte Stelle, um Geräusche zu reduzieren.

Problem IV.: Kompressor funktioniert nicht.

Grund: Der Zeitverzögerungsschutz des Kompressors ist aktiviert. Warten Sie daher 3 Minuten, bis die Temperatur gesunken ist, und starten Sie dann die Maschine neu.

Problem V.: Die Fernbedienung funktioniert nicht.

Grund 1: Der Abstand zwischen der Maschine und der Fernbedienung ist zu groß. Lassen Sie die Fernbedienung also in die Nähe der Klimaanlage und achten Sie darauf, dass sie direkt in Richtung des Fernbedienungsempfängers zeigt.

Grund 2: Die Fernbedienung ist nicht auf die Richtung des Fernbedienungsempfängers ausgerichtet. Lassen Sie die Fernbedienung also in

die Nähe der Klimaanlage und achten Sie darauf, dass sie direkt in Richtung des Fernbedienungsempfängers zeigt.

Grund 3: Batterien sind leer. Tauschen Sie die Batterien aus.

Problem V.: Anzeige zeigt: "E1".

Grund: Der Rohrtemperatursensor ist abnormal. Wenden Sie sich an den professionellen Service, um Hilfe zu erhalten.

Problem VI.: Anzeige zeigt: "E2".

Grund: Der Raumtemperaturfühler ist abnormal. Wenden Sie sich an den professionellen Service, um Hilfe zu erhalten.

Hinweis: Wenn ungewöhnliche Situationen auftreten, schalten Sie die Maschine aus und ziehen Sie den Stecker heraus. Wenden Sie sich an den Kundendienst, um Hilfe zu erhalten.

Reparieren Sie das Gerät nicht selbst. Nicht qualifizierte Reparaturen führen zum Erlöschen der Garantie.

TECHNISCHE DATEN:

Kühlleistung bei BTU: 12000 BTU / Stunde

Kühlleistung in Watt: 3520 W

Energieverbrauch (Kühlung) in Watt: 1350 W

Luftmenge: 400 m³ / Stunde

Trocknungskapazität: 28 Liter / 24 Stunden

Energieklasse: A

Timer: 1-24 Stunden

Kühlmittel: R290, 230 Gramm

Geräuschpegel: <65dB

Spannung: 220-240 V ~ 50 Hz



Vorsicht, Brandgefahr.

NICHT durchstechen oder verbrennen.

Beachten Sie, dass das Kältemittel möglicherweise keinen Geruch enthält.



Den Pappkarton im Altpapier entsorgen. Polyäthylenbeutel (PE) in dem Behälter für Kunststoff entsorgen. Das abgenutzte Gerät zum Recycling zu einer offiziellen Sammelstelle bringen, da es gefährliche Substanzen enthält, die die Umwelt gefährden können. Das Gerät sollte in einer Form abgegeben werden, die eine weitere Nutzung unmöglich macht. Wenn es Batterien enthält, sollten diese rausgenommen und separat an einer Sammelstelle abgegeben werden. Das Gerät darf nicht in den Hausmüll rausgeworfen werden!!

FRANÇAIS

CONDITIONS GENERALES DE SECURITE

INSTRUCTIONS DE SÉCURITÉ IMPORTANTES À LIRE ATTENTIVEMENT ET À CONSERVER POUR L'AVENIR

1. Avant d'utiliser l'appareil, lisez le mode d'emploi et suivez les instructions qu'il contient. Le fabricant n'est pas responsable des dommages résultant de l'utilisation contraire de l'appareil ou de son utilisation incorrecte.
2. L'appareil est réservé à un usage domestique. Ne pas utiliser à d'autres fins que celles prévues.
3. L'appareil ne doit être branché qu'à une prise secteur avec une tension de 220 240V ~ 50Hz mise à la terre. Pour augmenter la sécurité de fonctionnement, plusieurs appareils électriques ne doivent pas être connectés à un circuit de courant en même temps.
4. Soyez extrêmement prudent lorsque vous utilisez l'appareil lorsque des enfants se trouvent à proximité. Ne laissez pas les enfants jouer avec l'appareil, n'autorisez pas les enfants ou des personnes inconnus à l'utiliser.
5. AVERTISSEMENT: Cet équipement peut être utilisé par des enfants de plus de 8 ans et des personnes ayant des capacités physiques, sensorielles ou mentales limitées, ou des personnes qui n'ont aucune expérience ou connaissance de l'équipement, si cela est fait sous la supervision d'une personne responsable. pour leur sécurité ou leur ont été donnés des informations sur l'utilisation en toute sécurité de l'appareil et sont conscients des dangers de son utilisation. Les enfants ne doivent pas jouer avec l'équipement. Le nettoyage et l'entretien de l'appareil ne doivent pas être effectués par des enfants, sauf s'ils ont plus de 8 ans et que ces activités sont effectuées sous surveillance.

6. Débranchez toujours le cordon d'alimentation en tenant la prise avec votre main après utilisation. NE tirez PAS sur le cordon d'alimentation.
7. N'immergez pas le câble, la fiche et l'appareil dans l'eau ou tout autre liquide. N'exposez pas l'appareil à des conditions atmosphériques (pluie, soleil, etc.) et ne l'utilisez pas dans des conditions d'humidité élevée (salles de bains, maisons mobiles humides).
8. Vérifiez périodiquement l'état du cordon d'alimentation. Si le cordon d'alimentation est endommagé, il doit être remplacé par un atelier spécialisé afin d'éviter tout danger.
9. N'utilisez pas l'appareil avec un cordon d'alimentation endommagé, s'il est tombé ou s'il a été endommagé d'une autre manière ou s'il ne fonctionne pas correctement. Ne réparez pas l'appareil vous-même, vous risqueriez de vous électrocuter. Apportez le périphérique endommagé à un centre de service approprié pour vérification ou réparation. Toutes les réparations ne peuvent être effectuées que par des points de service autorisés. Des réparations effectuées incorrectement peuvent entraîner un grave danger pour l'utilisateur.
10. Placez l'appareil sur une surface fraîche et stable, loin des appareils de cuisine chauds tels que: cuisinière électrique, brûleur à gaz, etc.
11. Assurez-vous que rien ne bloque l'entrée et la sortie d'air de l'appareil.
12. Utilisez l'appareil uniquement sur une surface plane afin d'empêcher la condensation de se répandre
13. Pour assurer une protection supplémentaire, il est conseillé d'installer un dispositif à courant différentiel résiduel (RCD) dans le circuit électrique avec un courant résiduel nominal ne dépassant pas 30 mA. Demandez à un électricien pour cela.
14. Nettoyez le filtre à air régulièrement. La fréquence de nettoyage dépend de la propreté de l'air.
15. Après avoir éteint la machine, attendez au moins 5 minutes avant de la rallumer.
16. N'utilisez pas l'appareil dans des endroits ensoleillés. Lorsque l'appareil surchauffe, la protection contre la surchauffe allumera l'appareil.
17. Pour assurer un refroidissement efficace, une distance minimale de 50 cm doit être respectée entre les parois latérales de l'appareil et le mur, le meuble ou les rideaux.
18. En raison des performances limitées de l'appareil, si la différence entre la température cible et la température ambiante est trop grande, la température cible peut ne pas être atteinte.
19. Pour réduire les risques d'incendie, de choc électrique ou de blessure lors de l'utilisation du climatiseur, observez les précautions de base suivantes:
 - a) Connectez-vous à une prise mise à la terre avec 3 broches.
 - b) Ne retirez pas la broche de mise à la terre.
 - c) N'utilisez pas l'adaptateur.
 - d) N'utilisez pas de rallonge.
 - e) Débranchez le climatiseur avant de procéder à l'entretien.
 - f) Utilisez deux personnes ou plus pour déplacer et installer le climatiseur.
20. N'utilisez pas d'agents accélérant le processus de dégivrage ou de nettoyage autres que ceux recommandés par le fabricant.

21. L'appareil doit être rangé dans une pièce dépourvue de sources d'inflammation en fonctionnement constant, par exemple: feu ouvert, appareils à gaz ou radiateurs électriques.

DESCRIPTION DE L'APPAREIL

1. Panneau de configuration
2. évent réglable
3. Boîtier de filtre à air
4. entrée d'air
5. Place pour la prise
6. Raccord de tuyau d'échappement
7. Trou de drainage pour l'évacuation continue de l'eau
8. Trou de drainage pour l'évacuation complète de l'eau de l'appareil
9. Touche TIMER
10. Bouton FAN
11. Bouton de température et d'heure UP / DOWN
12. Touche de choix de mode
13. Bouton d'alimentation
14. Affichage LCD
15. Bouton d'oscillation verticale
16. Bouton pour changer l'unité de température
17. Bouton mode SLEEP
18. Témoin de contrôle du réservoir d'eau «FL»
19. tuyau d'échappement
20. Assemblage du joint de fenêtre
21. Vis de fixation
22. Bloc de cale pour filtre supérieur
23. Bloc de blocage pour filtre inférieur

ASSEMBLAGE

Avant la première utilisation, assemblez l'appareil comme indiqué ci-dessous:

1. L'appareil doit être placé sur une surface plane. La distance entre le mur et les autres objets ne doit pas être inférieure à 50 cm pour ne pas limiter le flux d'air - regardez la photo 6. N'installez et n'utilisez pas l'appareil dans la salle de bain ou dans d'autres environnements très humides.
2. Installez l'assemblage de la plaque d'étanchéité de la fenêtre (20):
 - a) Ouvrez à moitié la fenêtre et montez l'ensemble de plaque d'étanchéité de fenêtre (20) sur la fenêtre (comme indiqué sur la photo 5); l'ensemble (20) peut être placé dans les directions horizontale et verticale.
 - b) Tirez divers composants de l'assemblage de la plaque d'étanchéité de la fenêtre pour les ouvrir, réglez la distance d'ouverture pour amener les deux extrémités de l'assemblage en contact avec le cadre de la fenêtre et fixez les composants de l'assemblage.
3. Allongez le tuyau d'échappement (19) et enclenchez l'extrémité plate des raccords du caloduc dans le trou elliptique de la plaque d'obturation de la vitre (comme indiqué sur la photo 6).

Remarques: 1. L'extrémité plate des raccords du tuyau d'échappement doit être enclenchée.

4. La longueur du tuyau d'échappement doit être de 280 ~ 1500 mm, il ne peut pas être déformé ni avoir de virages importants (supérieurs à 45 °). L'échappement ne doit pas être obstrué. sinon, cela pourrait provoquer une surchauffe. N'utilisez pas de rallonges et ne les remplacez pas par d'autres flexibles, car cela pourrait entraîner un dysfonctionnement.

FONCTIONNEMENT DU DISPOSITIF

Une fois l'appareil branché sur le secteur, l'avertisseur jouera de la musique au démarrage, il passera en mode veille et affichera la température ambiante actuelle.

1. Pour allumer ou éteindre l'appareil, appuyez sur le bouton (13).
2. Appuyez sur le bouton (12) pour sélectionner l'un des modes disponibles: COOL -> FAN -> DRY
3. En mode COOL, réglez la température à l'aide des boutons UP / DOWN (11). Il n'est pas disponible en mode ventilateur et déshumidification.)
4. En mode COOL ou FAN, utilisez le bouton FAN (10) pour régler la vitesse du ventilateur: FORT (F3), MOYEN (F2), FAIBLE (F1). Mais le fonctionnement en vitesse du vent est limité par les conditions anti-froid. Dans certaines conditions, il peut ne pas fonctionner en fonction de la vitesse du vent définie. En mode SEC, le ventilateur est automatiquement réglé sur le niveau FAIBLE.
5. Lorsque l'appareil est éteint, vous pouvez l'allumer avec un retard en appuyant sur la touche TIMER (9). Appuyez sur les boutons UP / DOWN (11) pour définir l'heure d'activation de l'appareil en sélectionnant une heure comprise entre 1 et 24 heures. Lorsque l'appareil est allumé, vous pouvez l'éteindre avec un retard en appuyant sur le bouton TIMER (9). Appuyez sur les boutons UP / DOWN (11) pour régler l'heure à laquelle l'appareil doit être éteint en sélectionnant une durée comprise entre 1 et 24 heures.
6. En appuyant simultanément sur les boutons UP (11) et FAN (10) ou en appuyant sur le bouton SLEEP (17) de la télécommande, l'appareil peut être mis en mode veille. L'appareil fonctionnera alors silencieusement en mode d'économie d'énergie. Cette fonction est uniquement disponible en mode COOL, non disponible en modes FAN et DRY.

- Vous pouvez modifier les unités (<->) de la température ambiante souhaitée en appuyant sur la touche (16) de la télécommande ou en appuyant simultanément sur les touches haut (11) et bas (11) pour basculer entre Celsius (°C) et Fahrenheit (°F).
- Appuyez sur le bouton (15) pour lancer l'oscillation de l'air. Les stores se déplacent verticalement. Appuyez à nouveau pour arrêter l'oscillation de l'air.

INSTRUCTIONS DE DRAINAGE

DRAINAGE MANUEL: lorsque l'eau dans le bac à eau dépasse le niveau d'avertissement, l'appareil déclenche automatiquement une alarme et la zone de l'écran LCD (14) indique "FL". De plus, le témoin de contrôle de l'eau FULL (18) s'allumera. Ensuite, éteignez l'appareil et retirez la fiche de la prise. Déplacez l'appareil avec précaution afin de ne pas renverser d'eau dans le bac situé au bas du boîtier. Ensuite, placez un récipient (non compris dans le kit) sous le trou de drainage (8), dévissez-le et retirez le capuchon qui ferme l'ouverture - regardez l'image 7. Laissez l'eau s'écouler. Pendant le drainage, le boîtier peut être légèrement incliné vers l'arrière. Puis réinstallez-le et allumez l'appareil.

DRAINAGE CONTINU: En mode COOL et DRY, vous pouvez raccorder le tuyau (non compris dans le kit) au drainage constant - figure 9. Pour ce faire, dévissez et enlever le bouchon en fermant l'ouverture du drainage d'eau continu (7). Ensuite, placez le tuyau de drainage (non inclus dans le kit) dans la sortie d'eau et placez l'autre extrémité dans un récipient de grande capacité.

DISPOSITIFS DE PROTECTION

- Fonction de protection contre le gel: en mode de refroidissement, de déshumidification ou d'économie d'énergie économique, si la température du tuyau d'échappement est trop basse, la machine passe automatiquement en statut de protection; Si la température du tuyau d'échappement atteint une certaine température, il peut automatiquement revenir au fonctionnement normal.
- Protection anti-débordement Fonction: lisez le chapitre INSTRUCTIONS DE DRAINAGE. Une fois l'eau vidée, la machine revient automatiquement à son état d'origine.
- Dégivrage automatique: l'appareil est doté d'une fonction de dégivrage automatique: pendant le dégivrage, le symbole de chauffage sur l'écran d'affichage clignote.
- Fonction de protection du compresseur: pour augmenter la durée de vie du compresseur, il dispose d'une fonction de protection au démarrage différé de 3 minutes après la mise hors tension du compresseur.

NETTOYAGE & ENTRETIEN

Nettoyage: avant le nettoyage et la maintenance, éteignez l'appareil et débranchez la fiche.

1) Nettoyage du logement

Nettoyer avec la surface de l'appareil avec un chiffon doux et humide. N'utilisez pas de produits chimiques tels que le benzène, l'alcool, l'essence, sinon la surface de l'appareil serait endommagée ou même toute la machine serait endommagée.

2) Nettoyage des filtres

Si le filtre est bouché par de la poussière, l'efficacité de l'appareil est réduite. Veuillez à nettoyer le filtre toutes les deux semaines. Nettoyez les cadres des filtres supérieur et inférieur après les avoir retirés de l'arrière de l'appareil - figure 8.

* Cadre de filtre supérieur: saisissez le bloc de blocage du cadre de filtre avec les mains. Forcez de l'extérieur pour retirer le cadre de l'écran du filtre. Dévissez les quatre vis fixant le tamis filtrant et le boîtier arrière pour retirer le tamis filtrant (comme indiqué sur la photo 8).

* Cadre inférieur de l'écran du filtre: Tenez la poignée du cadre de l'écran du filtre et tirez-le doucement vers l'extérieur pour l'enlever.

* Placez les deux filtres dans de l'eau tiède avec un détergent neutre (environ 40/104) et séchez-les à l'ombre après le rinçage.

ESPACE DE RANGEMENT

Si l'appareil doit rester inutilisé pendant une longue période, procédez comme suit:

- Retirez le bouchon de vidange (8) pour faire sortir l'eau.
- Laissez l'appareil fonctionner en mode ventilateur pendant 2 heures pour sécher ses composants internes.
- Éteignez l'appareil et débranchez la fiche.
- Nettoyez et séchez les filtres, puis réinstallez-les.
- Retirez le tuyau d'échappement pour le conserver en sécurité.
- Placez la machine dans un sac en plastique et placez-la dans un endroit sec.
- Retirez les piles de la télécommande et conservez-les correctement.

DÉPANNAGE

Problème I.: La climatisation ne fonctionne pas.

Raison n° 1: il n'y a pas d'électricité. Alors, allumez-le après l'avoir connecté à une prise avec de l'électricité.

Raison n° 2: Le témoin de contrôle plein d'eau affiche "FL". Alors, videz l'eau.

Raison 3: en mode de refroidissement, la température ambiante est inférieure à la température définie. Alors, changez le niveau de température.

Raison 4: En mode déshumidification, la température ambiante est basse. Veuillez noter que l'appareil est placé dans une pièce dont la température ambiante est supérieure à 17 °C (17 °F).

Raison 5: La température ambiante est trop basse ou trop élevée. La température de fonctionnement prévue de l'appareil est 7-35 (44-95).

Problème II.: L'effet de refroidissement n'est pas bon.

Raison 1: lumière directe du soleil. Alors, tirez les rideaux.

Raison 2: La porte et les fenêtres sont ouvertes, ainsi que de nombreuses sources de chaleur dans la pièce. Alors, fermez la porte et les fenêtres, évacuez les sources de chaleur.

Raison 3: les filtres sont trop sales. Donc, nettoyez ou remplacez les filtres.

Raison 4: L'entrée ou la sortie d'air est bloquée. Alors, supprimez le blocage.

Problème III: Big Noise

Raison: l'appareil n'est pas placé sur une surface plane. Alors, placez l'appareil sur un endroit plat et dur pour réduire le bruit.

Problème IV.: Le compresseur ne fonctionne pas.

Raison: la protection temporisation du compresseur est activée. Attendez 3 minutes que la température baisse, puis redémarrez la machine.

Problème V.: La télécommande ne fonctionne pas.

Raison n° 1: la distance entre la machine et la télécommande est trop grande. Alors, laissez la télécommande se rapprocher de la climatisation et assurez-vous que la télécommande est directement orientée dans la direction du récepteur de la télécommande.

Raison 2: la télécommande n'est pas alignée sur la direction du récepteur de la télécommande. Alors, laissez la télécommande se rapprocher de la climatisation et assurez-vous que la télécommande est directement orientée dans la direction du récepteur de la télécommande.

Raison 3: les piles sont mortes. Alors, remplacez les piles.

Problème V.: L'affichage indique: "E1".

Raison: le capteur de température de la conduite est anormal. Alors, contactez le service professionnel pour obtenir de l'aide.

Problème VI.: L'écran affiche: "E2".

Raison: le capteur de température ambiante est anormal. Alors, contactez le service professionnel pour obtenir de l'aide.

Remarque: lorsque des situations anormales se produisent, éteignez la machine et débranchez la fiche, puis contactez un service professionnel pour obtenir de l'aide.

Ne réparez pas l'appareil vous-même. Une réparation non qualifiée annulera la garantie.

DONNÉES TECHNIQUES:

Puissance frigorifique en BTU: 12 000 BTU / heure

Capacité de refroidissement en watts: 3520 W

Consommation d'énergie (refroidissement) en watts: 1350 W

Débit d'air: 400 m³ / heure

Capacité de séchage: 28 litres / 24 heures

Classe énergétique: A

Minuterie: 1-24 heures

Agent de refroidissement: R290, 230 grammes

Niveau sonore: <65dB

Tension: 220-240 V ~ 50Hz



Attention, risque d'incendie.

NE PAS percer ou brûler.

Sachez que le réfrigérant peut ne pas contenir d'odeur.



Respect de l'environnement. Nous vous prions de bien vouloir trier les emballages en carton ainsi que les sachets plastiques (en polyéthylène). L'appareil usagé ne doit pas être jeté à la poubelle mais remis au point de collecte prévu à cet effet car il contient des éléments pouvant être nocifs pour l'environnement. L'appareil électrique doit être remis de manière à limiter au maximum une éventuelle utilisation ultérieure. Si l'appareil contient des piles, il faut les retirer et les remettre à un autre point de collecte.

Ne pas jeter l'appareil dans une poubelle de déchets ménagers !!!

ESPAÑOL

CONDICIONES GENERALES DE SEGURIDAD

INSTRUCCIONES DE SEGURIDAD IMPORTANTES LEA CUIDADOSAMENTE Y AHORRE POR FUTURO

1. Antes de usar el dispositivo, lea el manual de operación y siga las instrucciones contenidas en él. El fabricante no se hace responsable de los daños causados por el uso del dispositivo contrario a su propósito previsto u operación incorrecta.
2. El dispositivo es solo para uso doméstico. No lo use para otros fines que no sean para los fines previstos.
3. El dispositivo solo debe conectarse a un tomacorriente de CA con una conexión a tierra de 220 240V ~ 50Hz. Para aumentar la seguridad operativa, no se deben conectar varios dispositivos eléctricos a un circuito de corriente al mismo tiempo.
4. Tenga mucho cuidado al usar el dispositivo cuando haya niños cerca. No permita que los niños jueguen con el dispositivo, no permita que lo usen niños o personas que no estén familiarizadas con el dispositivo.
5. **ADVERTENCIA:** Este equipo puede ser utilizado por niños mayores de 8 años y personas

con capacidad física, sensorial o mental limitada, o personas que no tienen experiencia o conocimiento del equipo, si esto se hace bajo la supervisión de una persona responsable por su seguridad o se les ha otorgado información sobre el uso seguro del dispositivo y son conscientes de los peligros de su uso. Los niños no deben jugar con el equipo. La limpieza y el mantenimiento del dispositivo no deben ser realizados por niños, a menos que tengan más de 8 años y estas actividades se realicen bajo supervisión.

6. Siempre desconecte el enchufe de alimentación sosteniendo el enchufe con la mano después de usarlo. NO tire del cable de alimentación.

7. No sumerja el cable, el enchufe y todo el dispositivo en agua o cualquier otro líquido. No exponga el dispositivo a condiciones atmosféricas (lluvia, sol, etc.) ni lo use en condiciones de alta humedad (baños, casas móviles húmedas).

8. Compruebe periódicamente el estado del cable de alimentación. Si el cable de alimentación está dañado, debe ser reemplazado por un taller de reparación especializado para evitar peligros.

9. No utilice el aparato con un cable de alimentación dañado o si se ha caído o dañado de alguna otra manera o si no funciona correctamente. No repare el dispositivo usted mismo, ya que existe el riesgo de descarga eléctrica. Lleve el dispositivo dañado a un centro de servicio apropiado para su revisión o reparación. Todas las reparaciones solo pueden llevarse a cabo en puntos de servicio autorizados. Las reparaciones realizadas incorrectamente pueden causar serios peligros para el usuario.

10. Coloque el dispositivo sobre una superficie fresca y estable, lejos de electrodomésticos de cocina calientes como: estufa eléctrica, quemador de gas, etc.

11. Asegúrese de que nada bloquee la entrada y salida de aire del dispositivo

12. Use el dispositivo solo en una superficie nivelada para evitar que se derrame la condensación

13. Para proporcionar protección adicional, es aconsejable instalar un dispositivo de corriente residual (RCD) en el circuito eléctrico con una corriente residual nominal que no exceda los 30 mA. Pregúntele a un electricista por esto.

14. Limpie el filtro de aire regularmente. La frecuencia de la limpieza depende de la limpieza del aire.

15. Después de apagar la máquina, espere al menos 5 minutos antes de volver a encenderla.

16. No utilice el dispositivo en lugares soleados. Cuando el dispositivo se sobrecalienta, la protección contra sobrecalentamiento encenderá el dispositivo.

17. Para garantizar un enfriamiento efectivo, se debe mantener una distancia de al menos 50 cm entre las paredes laterales del dispositivo y la pared, los muebles o las cortinas.

18. Debido al rendimiento limitado del dispositivo, si la diferencia entre la temperatura objetivo y la temperatura ambiente es demasiado grande, es posible que no se alcance la temperatura objetivo.

19. Para reducir el riesgo de incendio, descarga eléctrica o lesiones al usar el aire acondicionado, observe las siguientes precauciones básicas:

- a) Conecte a una toma de corriente con conexión a tierra con 3 pines.
 - b) No quite la punta de conexión a tierra.
 - c) No use el adaptador.
 - d) No use un cable de extensión.
 - e) Desconecte el aire acondicionado antes de dar servicio.
 - f) Use dos o más personas para mover e instalar el aire acondicionado.
20. No utilice agentes que aceleren el proceso de descongelación o limpieza que no sean los recomendados por el fabricante.
21. El dispositivo debe almacenarse en una habitación sin operar constantemente fuentes de ignición, por ejemplo: fuego abierto, aparatos de gas o calentadores eléctricos.

DESCRIPCIÓN DEL APARATO

1. Panel de control
2. ventilación ajustable
3. Carcasa del filtro de aire
4. Entrada de aire
5. Lugar para el enchufe
6. Tubo de escape
7. Orificio de drenaje para descarga continua de agua.
8. Orificio de drenaje para la descarga completa de agua del dispositivo
9. Botón TEMPORIZADOR
10. botón FAN
11. Botón de temperatura y tiempo ARRIBA / ABAJO
12. Botón de opción MODE
13. Botón de ENCENDIDO
14. pantalla LCD
15. Botón de oscilación vertical
16. Botón para cambiar la unidad de temperatura
17. Botón de modo SLEEP
18. Lámpara de control del tanque de agua llena "FL"
19. tubo de escape
20. Conjunto de placa de sellado de ventana
21. Tornillo de retención
22. Bloque de cuña para filtro superior
23. Bloque de cuña para filtro inferior

MONTAJE

Antes del primer uso, ensamble el dispositivo de la siguiente manera:

1. El dispositivo debe colocarse sobre una superficie plana. La distancia a la pared u otros objetos debe ser de al menos 50 cm para no limitar el flujo de aire. Mire la imagen 6. No instale ni use el dispositivo en el baño u otros ambientes con alta humedad.
2. Instale el conjunto de la placa de sellado de la ventana (20):
 - a) Abra la ventana por la mitad y monte el conjunto de la placa de sellado de la ventana (20) en la ventana (como se muestra en la imagen 5); El conjunto (20) puede colocarse en dirección horizontal y vertical.
 - b) Abra varios componentes del conjunto de la placa de sellado de la ventana, ajuste la distancia de apertura para que ambos extremos del conjunto entren en contacto con el marco de la ventana y fije los componentes del conjunto.
3. Alargue el tubo de escape (19) y encaje el extremo plano de las juntas del tubo de calor en el orificio elíptico del conjunto de la placa de sellado de la ventana (como se muestra en la imagen 6).

Notas: 1. el extremo plano de las juntas del tubo de escape debe encajarse en su lugar.

4. La longitud de la manguera de escape debe ser de 280 ~ 1,500 mm, no se puede distorsionar ni tiene un giro sustancial (mayor de 45 °). El escape debe estar sin obstrucciones; de lo contrario puede causar sobrecalentamiento. No use tubos de extensión ni lo reemplace con otras mangueras diferentes, o esto puede causar un mal funcionamiento.

OPERACIÓN DEL DISPOSITIVO

Después de conectar el dispositivo a la red eléctrica, el zumbador reproducirá música de encendido, pasará al modo de espera y mostrará la temperatura ambiente actual.

1. Para encender o apagar el dispositivo, presione el botón (13).
2. Presione el botón (12) para seleccionar uno de los modos disponibles: FRÍO -> VENTILADOR -> SECO

3. En el modo FRÍO, ajuste la temperatura usando los botones ARRIBA / ABAJO (11). No está disponible en modo ventilador y deshumidificación).
4. Durante los modos FRÍO o VENTILADOR, use el botón VENTILADOR (10) para configurar la velocidad del ventilador: FUERTE (F3), MEDIO (F2), DÉBIL (F1). Pero la operación de la velocidad del viento está limitada por las condiciones anti-frío, bajo ciertas condiciones, puede no funcionar de acuerdo con la velocidad del viento establecida. En modo SECO, el ventilador se configura automáticamente en el nivel DÉBIL.
5. Cuando el dispositivo se apaga, se puede encender con retraso presionando el botón TEMPORIZADOR (9). Presione los botones ARRIBA / ABAJO (11) para configurar la hora para que el dispositivo se active seleccionando la hora en el rango de 1-24 horas. Cuando se encienda el dispositivo, se puede apagar con retraso presionando el botón TEMPORIZADOR (9). Presione los botones ARRIBA / ABAJO (11) para configurar el tiempo para que el dispositivo se apague seleccionando el tiempo en el rango de 1-24 horas.
6. Al presionar simultáneamente el botón ARRIBA (11) y el botón VENTILADOR (10) o presionar el botón SLEEP (17) en el control remoto, el dispositivo se puede cambiar al modo de suspensión. El dispositivo funcionará silenciosamente en el modo de ahorro de energía. Esta función solo está disponible en el modo FRÍO, no está disponible en los modos VENTILADOR y SECO.
7. Las unidades (°C <-> °F) de la temperatura ambiente requerida se pueden cambiar presionando el botón (16) en el control remoto o presionando simultáneamente las teclas hacia arriba (11) y hacia abajo (11) para cambiar entre grados Celsius (°C) y Fahrenheit (°F).
8. Presione el botón (15) para iniciar la oscilación del aire, las persianas se moverán verticalmente. Presiónelo nuevamente para detener la oscilación del aire.

INSTRUCCIONES DE DRENAJE

DRENAJE MANUAL: Cuando el agua en la bandeja de agua excede el nivel de advertencia, el dispositivo emitirá automáticamente una alarma y el área de la pantalla LCD (14) mostrará "FL". También se encenderá la lámpara de control de agua COMPLETA (18). Luego apague el dispositivo y retire el enchufe de la toma. Mueva el dispositivo con cuidado, para no derramar el agua en la bandeja de agua en la parte inferior de la carcasa. Luego coloque un recipiente (no incluido en el juego) debajo del orificio de drenaje (8), desensosque y retire la tapa que cierra la abertura; mire la imagen 7. Deje que salga el agua, durante el drenaje, la carcasa puede inclinarse ligeramente hacia atrás. Luego instálelo nuevamente y encienda el dispositivo.

DRENAJE CONTINUO: En el modo FRÍO y SECO, puede conectar la tubería (no incluida en el juego) al drenaje constante - figura 9. Para hacer esto, desensosque y retire la tapa que cierra la abertura del drenaje continuo de agua (7). Luego, coloque la manguera de drenaje (no incluida en el juego) en la salida de agua y coloque el otro extremo en un recipiente espacioso.

DISPOSITIVOS DE PROTECCIÓN

1. Función de protección contra heladas: en modo de enfriamiento, deshumidificación o ahorro de energía económica, si la temperatura del tubo de escape es demasiado baja, la máquina entrará automáticamente en estado de protección; Si la temperatura del tubo de escape se eleva a cierta temperatura, puede volver automáticamente al funcionamiento normal.
2. Función de protección contra desbordamiento: lea el capítulo INSTRUCCIONES DE DRENAJE. Después de vaciar el agua, la máquina volverá automáticamente al estado original.
3. Descongelación automática: el dispositivo tiene una función de descongelación automática: durante la descongelación, el símbolo de calentamiento en la pantalla parpadeará.
4. Función de protección del compresor: para aumentar la vida útil del compresor, tiene una función de protección de arranque de retraso de 3 minutos después de que se apaga el compresor.

LIMPIEZA Y MANTENIMIENTO

Limpieza: antes de la limpieza y el mantenimiento, apague el dispositivo y desconecte el enchufe.

1) Limpieza de viviendas

Limpie con la superficie del dispositivo con un paño suave y húmedo. No use productos químicos, como benceno, alcohol, gasolina, de lo contrario, la superficie del dispositivo se dañará o incluso se dañará toda la máquina.

2) Limpieza de filtros de red

Si el filtro está obstruido con polvo, entonces la efectividad del dispositivo se reduce, asegúrese de limpiar el filtro una vez cada dos semanas. Limpie los marcos de los filtros superior e inferior después de quitarlos de la parte posterior del dispositivo, imagen 8.

* Marco de la pantalla del filtro superior: sujete el bloque de cuña del marco de la pantalla del filtro con las manos. Fuerza hacia abajo desde el exterior para quitar el marco de la pantalla del filtro. Desatornille los cuatro tornillos que fijan la pantalla del filtro y la carcasa trasera para quitar la pantalla del filtro (como se muestra en la imagen 8).

* Marco inferior de la pantalla del filtro: sostenga el asa del marco de la pantalla del filtro y tire suavemente hacia afuera para quitarlo.

* Coloque ambas pantallas de filtro en agua tibia con detergente neutro (aproximadamente 40 °C / 104 °F) y

séquelas a la sombra después de enjuagarlas.

ALMACENAMIENTO

Si el dispositivo no se utilizará durante mucho tiempo, haga lo siguiente:

1. Tire del tapón de drenaje (8) para que salga el agua.
2. Deje que el dispositivo funcione en modo ventilador durante 2 horas para secar el dispositivo interno.
3. Apague el dispositivo y saque el enchufe.
4. Limpie y seque los filtros, luego vuelva a instalarlos.
5. Saque el tubo de escape para mantenerlo seguro.
6. Coloque la máquina en una bolsa de plástico y colóquela en un lugar seco.
7. Retire las baterías del control remoto y guárdelas adecuadamente.

SOLUCIÓN DE PROBLEMAS

Problema I .: El aire acondicionado no funciona.

Razón 1: no hay electricidad. Entonces, enciéndalo después de conectarlo a un enchufe con electricidad.

Motivo 2: la lámpara de control de agua completa muestra "FL". Entonces, descarga el agua.

Motivo 3: en el modo de enfriamiento, la temperatura ambiente es inferior a la temperatura establecida. Entonces, cambie el nivel de temperatura.

Motivo 4: en el modo de deshumidificación, la temperatura ambiente es baja. Tenga en cuenta que el dispositivo se coloca en una habitación con una temperatura ambiente superior a 17 °C (62 °F).

Motivo 5: la temperatura ambiente es demasiado baja o demasiado alta. La temperatura de funcionamiento prevista del dispositivo es de 7-35 °C (44-95 °F).

Problema II .: El efecto de enfriamiento no es bueno.

Razón 1: luz solar directa. Entonces, corren las cortinas.

Razón 2: las puertas y ventanas están abiertas, muchas fuentes de calor en la habitación. Por lo tanto, cierre la puerta y las ventanas, retire las fuentes de calor.

Motivo 3: los filtros están demasiado sucios. Entonces, limpie o reemplace los filtros.

Razón 4: La entrada o salida de aire está bloqueada. Entonces, elimine el bloqueo.

Problema III .: gran ruido

Motivo: el dispositivo no se coloca sobre una superficie plana. Por lo tanto, coloque el dispositivo en un lugar plano y duro para reducir el ruido.

Problema IV .: el compresor no funciona.

Motivo: la protección de retardo de tiempo del compresor se activa. Por lo tanto, espere 3 minutos hasta que baje la temperatura y luego reinicie la máquina.

Problema V .: El control remoto no funciona.

Motivo 1: la distancia entre la máquina y el control remoto es demasiado grande. Por lo tanto, deje que el control remoto se acerque al aire acondicionado y asegúrese de que el control remoto mire directamente en la dirección del receptor del control remoto.

Motivo 2: el control remoto no está alineado con la dirección del receptor del control remoto. Por lo tanto, deje que el control remoto se acerque al aire acondicionado y asegúrese de que el control remoto mire directamente en la dirección del receptor del control remoto.

Razón 3: las baterías están agotadas. Entonces, reemplace las baterías.

Problema V .: La pantalla muestra: "E1".

Motivo: el sensor de temperatura de la tubería es anormal. Por lo tanto, póngase en contacto con el servicio profesional para obtener ayuda.

Problema VI .: La pantalla muestra: "E2".

Motivo: el sensor de temperatura ambiente es anormal. Por lo tanto, póngase en contacto con el servicio profesional para obtener ayuda.

Nota: cuando ocurran situaciones anormales, apague la máquina y desconecte el enchufe, luego póngase en contacto con un servicio profesional para obtener ayuda.

No repare el dispositivo usted mismo. La reparación no calificada anulará la garantía.

DATOS TÉCNICOS:

Capacidad de enfriamiento a BTU: 12000 BTU / hora

Capacidad de enfriamiento en vatios: 3520 W

Consumo de energía (enfriamiento) en vatios: 1350 W

Flujo de aire: 400 m³ / hora

Capacidad de secado: 28 litros / 24 horas.

Clase energética: A

Temporizador: 1-24 horas

Agente refrigerante: R290, 230 gramos.

Nivel de ruido: <65dB

Voltaje: 220-240 V ~ 50Hz



Precaución, riesgo de incendio.

NO perforar ni quemar.

Tenga en cuenta que el refrigerante puede no contener olor.



Preocupación por el medio ambiente. Por favor, lleva las cajas de cartón a un sitio de reciclaje. Las bolsas de polietileno se deben tirar al cubo de la basura amarillo (para envases). El equipo gastado debe ser entregado en el punto de almacenamiento adecuado, porque las piezas que constituyen el equipo pueden suponer un peligro para el medio ambiente. Debes entregar el equipo Hay que devolver el equipo eléctrico con el fin de evitar su reutilización. Si en el equipo se encuentran pilas, hay que sacarlas y entregar por separado, en un punto de almacenamiento adecuado. No tires el equipo al contenedor para residuos urbanos!!

PORTUGUÊS

CONDIÇÕES GERAIS DE SEGURANÇA

INSTRUÇÕES IMPORTANTES DE SEGURANÇA LEIA COM ATENÇÃO E SALVE PARA O FUTURO

1. Antes de usar o dispositivo, leia o manual de operação e siga as instruções nele contidas. O fabricante não se responsabiliza por danos causados pelo uso do dispositivo contrário ao seu objetivo ou operação incorreta.
2. O dispositivo é apenas para uso doméstico. Não use para outros fins que não sejam para o fim a que se destina.
3. O dispositivo deve ser conectado apenas a uma tomada CA com 220 240V ~ 50Hz aterrada. Para aumentar a segurança operacional, vários dispositivos elétricos não devem ser conectados a um circuito de corrente ao mesmo tempo.
4. Tenha muito cuidado ao usar o dispositivo quando houver crianças por perto. Não permita que crianças brinquem com o dispositivo, não permita que crianças ou pessoas não familiarizadas com o dispositivo o usem.
5. AVISO: Este equipamento pode ser usado por crianças acima de 8 anos de idade e pessoas com habilidades físicas, sensoriais ou mentais limitadas, ou pessoas que não têm experiência ou conhecimento do equipamento, se isso for feito sob a supervisão de uma pessoa responsável. por sua segurança ou tenham recebido informações sobre o uso seguro do dispositivo e estão cientes dos perigos de usá-lo. As crianças não devem brincar com o equipamento. A limpeza e manutenção do dispositivo não devem ser realizadas por crianças, a menos que tenham mais de 8 anos e essas atividades sejam realizadas sob supervisão.
6. Sempre desconecte o plugue de energia segurando o soquete com a mão após o uso. NÃO puxe pelo cabo de alimentação.
7. Não mergulhe o cabo, plugue e todo o dispositivo em água ou qualquer outro líquido. Não exponha o dispositivo a condições atmosféricas (chuva, sol, etc.) ou use em condições de alta umidade (banheiros, casas móveis úmidas).

8. Verifique periodicamente as condições do cabo de alimentação. Se o cabo de alimentação estiver danificado, ele deverá ser substituído por uma oficina especializada para evitar perigos.
9. Não use o aparelho com um cabo de alimentação danificado ou se ele caiu ou foi danificado de qualquer outra maneira ou se não estiver funcionando corretamente. Não repare o dispositivo, pois existe o risco de choque elétrico. Leve o dispositivo danificado a um centro de serviço apropriado para verificação ou reparo. Todos os reparos podem ser realizados apenas por pontos de serviço autorizados. Reparos executados incorretamente podem causar sérios perigos ao usuário.
10. Coloque o dispositivo em uma superfície fria e estável, longe de utensílios de cozinha quentes, como: fogão elétrico, queimador de gás, etc.
11. Certifique-se de que nada esteja bloqueando a entrada e saída de ar do dispositivo
12. Use o dispositivo apenas em uma superfície nivelada para evitar que a condensação se espalhe
13. Para fornecer proteção adicional, é aconselhável instalar um dispositivo de corrente residual (RCD) no circuito elétrico com uma corrente residual nominal que não exceda 30mA. Peça a um electricista para isso.
14. Limpe o filtro de ar regularmente. A frequência da limpeza depende da limpeza do ar.
15. Depois de desligar a máquina, aguarde pelo menos 5 minutos antes de ligá-la novamente.
16. Não use o dispositivo em locais ensolarados. Quando o dispositivo superaquece, a proteção contra superaquecimento liga o dispositivo.
17. Para garantir um resfriamento eficaz, deve-se manter uma distância de pelo menos 50 cm entre as paredes laterais do dispositivo e a parede ou móveis ou cortinas.
18. Devido ao desempenho limitado do dispositivo, se a diferença entre a temperatura alvo e a temperatura ambiente for muito alta, a temperatura alvo poderá não ser alcançada.
19. Para reduzir o risco de incêndio, choque elétrico ou lesão ao usar o ar condicionado, observe as seguintes precauções básicas:
 - a) Conecte a uma tomada aterrada com 3 pinos.
 - b) Não remova o pino de aterramento.
 - c) Não use o adaptador.
 - d) Não use um cabo de extensão.
 - e) Desconecte o ar condicionado antes de fazer a manutenção.
 - f) Use duas ou mais pessoas para mover e instalar o ar condicionado.
20. Não use agentes que acelerem o processo de degelo ou limpeza, além dos recomendados pelo fabricante.
21. O dispositivo deve ser armazenado em uma sala sem fontes de ignição em operação constante, por exemplo: fogo aberto, eletrodomésticos a gás ou aquecedores elétricos.

DESCRIÇÃO DO DISPOSITIVO

1. Painel de Controle
2. Ventilação ajustável
3. Carcaça do filtro de ar

4. Entrada de ar
5. Coloque o plugue
6. Encaixe de tubo de escape
7. Orifício de drenagem para descarga contínua de água
8. Orifício de drenagem para descarga completa de água do dispositivo
9. botão TIMER
10. botão FAN
11. Botão UP / DOWN de temperatura e hora
12. botão de opção MODE
13. botão POWER
14. Tela LCD
15. Botão de oscilação vertical
16. Botão para alterar a unidade de temperatura
17. botão de modo SLEEP
18. Lâmpada de controle do tanque de água cheia "FL"
19. Tubo de escape
20. Montagem da placa de vedação da janela
21. Parafuso de retenção
22. Bloco de cunha para filtro superior
23. Bloco de cunha para filtro inferior

MONTAGEM

Antes da primeira utilização, monte o dispositivo como abaixo:

1. O dispositivo deve ser colocado em uma superfície plana. A distância da parede ou de outros objetos deve ser de pelo menos 50 cm para não limitar o fluxo de ar - veja a figura 6. Não instale e use o dispositivo no banheiro ou em outros ambientes com alta umidade.
2. Instale o conjunto da placa de vedação da janela (20):
 - a) Abra a janela pela metade e monte o conjunto da placa de vedação da janela (20) na janela (como mostra a figura 5); o conjunto (20) pode ser colocado na direção horizontal e vertical.
 - b) Abra vários componentes do conjunto da placa de vedação da janela, ajuste a distância da abertura para colocar as duas extremidades do conjunto em contato com a moldura da janela e fixe os componentes do conjunto.
3. Alongue o tubo de escape (19) e encaixe a extremidade plana das juntas do tubo de calor no orifício elíptico do conjunto da placa de vedação da janela (conforme mostrado na figura 6).

Notas: 1. a extremidade plana das juntas do tubo de escape deve ser encaixada no lugar.

4. O comprimento da mangueira de exaustão deve ser de 280 a 1.500 mm, não pode ser distorcido nem possui giro substancial (superior a 45 °). A exaustão deve estar desobstruída; caso contrário, poderá causar superaquecimento. Não use tubos de extensão ou substitua-os por outras mangueiras diferentes, ou isso pode causar um mau funcionamento.

OPERAÇÃO DO DISPOSITIVO

Depois de conectar o dispositivo à rede elétrica, a campainha tocará a música de inicialização, entrará no modo de espera e exibirá a temperatura ambiente atual.

1. Para ligar ou desligar o dispositivo, pressione o botão (13).
2. Pressione o botão (12) para selecionar um dos modos disponíveis: COOL -> FAN -> DRY
3. No modo COOL, ajuste a temperatura usando os botões UP / DOWN (11). Não está disponível no modo ventilador e desumidificação.)
4. Durante os modos COOL ou FAN, use o botão FAN (10) para definir a velocidade do ventilador: FORTE (F3), MÉDIA (F2), FRACA (F1). Mas a operação da velocidade do vento é limitada por condições anti-frio, sob certas condições, pode não funcionar de acordo com a velocidade do vento definida. No modo DRY, o ventilador é automaticamente ajustado para o nível WEAK.
5. Quando o dispositivo está desligado, ele pode ser ligado com atraso, pressionando o botão TIMER (9). Pressione os botões ACIMA / ABAIXO (11) para definir a hora em que o dispositivo será ativado, selecionando a hora no intervalo de 1 a 24 horas. Quando o dispositivo está ligado, pode ser desligado com atraso pressionando o botão TIMER (9). Pressione os botões ACIMA / ABAIXO (11) para definir a hora em que o dispositivo será desligado, selecionando a hora no intervalo de 1 a 24 horas.
6. Pressionando simultaneamente os botões UP (11) e FAN (10) ou SLEEP (17) no controle remoto, o dispositivo pode ser colocado no modo de suspensão. O dispositivo irá operar silenciosamente no modo de economia de energia. Esta função está disponível apenas no modo COOL, não disponível nos modos FAN e DRY.
7. As unidades (<->) da temperatura ambiente necessária podem ser alteradas pressionando o botão (16) no controle remoto ou simultaneamente simultaneamente os botões para cima (11) e para baixo (11) para alternar entre Celsius () e Fahrenheit ().
8. Pressione o botão (15) para iniciar a oscilação do ar, as persianas se moverão na vertical. Pressione novamente para interromper a oscilação do ar.

INSTRUÇÕES DE DRENAGEM

DRENAGEM MANUAL: Quando a água no reservatório de água excede o nível de aviso, o dispositivo emite um alarme automaticamente e a área do visor LCD (14) mostra "FL". A lâmpada de controle de água COMPLETA (18) também acenderá. Em seguida, desligue o dispositivo e remova o plugue da tomada. Mova o dispositivo com cuidado, para não derramar a água na panela de água na parte inferior da caixa. Em seguida, coloque algum recipiente (não incluído no conjunto) sob o orifício de drenagem (8), desaparafuse-o e remova a tampa que fecha a abertura - veja a figura 7. Deixe a água vaziar durante a drenagem, o alojamento pode ser inclinado levemente para trás

. Em seguida, instale-o novamente e ligue o dispositivo.

DRENAGEM CONTÍNUA: No modo REFRIGERANTE e SECO, você pode conectar o tubo (não incluído no conjunto) à drenagem constante - figura 9. Para fazer isso, desaparafuse e remova a tampa que fecha a abertura da drenagem contínua de água (7). Em seguida, coloque a mangueira de drenagem (não incluída no conjunto) na saída de água e coloque a outra extremidade em um recipiente espaçoso.

DISPOSITIVOS DE PROTEÇÃO

1. Função de proteção contra congelamento: no modo de resfriamento, desumidificação ou economia de energia, se a temperatura do tubo de escape estiver muito baixa, a máquina entrará automaticamente no status de proteção; se a temperatura do tubo de escape subir para uma certa temperatura, ele pode voltar automaticamente à operação normal.
2. Função de proteção contra transbordamento: leia o capítulo INSTRUÇÕES DE DRENAGEM. Depois que a água é esvaziada, a máquina retornará automaticamente ao estado original.
3. Descongelamento automática: o dispositivo possui a função de degelo automático: durante o degelo, o símbolo de aquecimento na tela pisca.
4. Função de proteção do compressor: para aumentar a vida útil do compressor, possui uma função de proteção de inicialização de atraso de 3 minutos após o desligamento do compressor.

LIMPEZA E MANUTENÇÃO

Limpeza: antes da limpeza e manutenção, desligue o dispositivo e desconecte o plugue.

1) Limpeza da caixa

Limpe com a superfície do dispositivo com um pano macio e úmido. Não use produtos químicos, como benzeno, álcool, gasolina, caso contrário, a superfície do dispositivo será danificada ou até a máquina inteira será danificada.

2) Limpeza dos filtros de rede

Se o filtro estiver entupido de poeira, a eficácia do dispositivo será reduzida. Limpe o filtro a cada duas semanas. Limpe as armações dos filtros superior e inferior depois de removê-las da parte traseira do dispositivo - figura 8.

* Estrutura da tela de filtro superior: aperte o bloco de cunha da estrutura da tela de filtro com as mãos. Force para baixo do lado de fora para remover a moldura da tela do filtro. Desaparafuse os quatro parafusos que fixam a tela do filtro e o alojamento traseiro para remover a tela do filtro (conforme mostrado na figura 8).

* Abaixe a estrutura da tela de filtro: Segure a alça da estrutura de filtro e puxe-a para fora com cuidado para removê-la.

* Coloque as duas telas de filtro em água morna com detergente neutro (cerca de 40 °C / 104 °F) e seque-as à sombra após enxaguar.

ARMAZENAMENTO

Se o dispositivo não for utilizado por um longo período, faça o seguinte:

1. Puxe o bujão de drenagem (8) para escoar a água.
2. Deixe o dispositivo funcionar no modo ventilador por 2 horas para secar a parte interna do dispositivo.
3. Desligue o dispositivo e retire o plugue.
4. Limpe e seque os filtros, depois reinstale-os.
5. Puxe o tubo de escape para uma segurança.
6. Coloque a máquina em saco plástico e coloque-a em local seco.
7. Remova as pilhas do controle remoto e mantenha-as adequadamente.

SOLUÇÃO DE PROBLEMAS

Problema I: o ar condicionado não funciona.

Razão 1: Não há eletricidade. Então, ligue-o depois de conectá-lo a um soquete com eletricidade.

Razão 2: A lâmpada de controle de água cheia exibe "FL". Então, descarregue a água.

Razão 3: No modo de resfriamento, a temperatura ambiente é menor que a temperatura definida. Então, mude o nível de temperatura.

Razão 4: No modo de desumidificação, a temperatura ambiente é baixa. Observe que o dispositivo é colocado em uma sala com temperatura ambiente superior a 17 °C (62 °F).

Razão 5: a temperatura ambiente está muito baixa ou muito alta. A temperatura de operação pretendida do dispositivo é 7-35 °C (44-95 °F).

Problema II: O efeito de resfriamento não é bom.

Razão 1: luz solar direta. Então, desenhei as cortinas.

Razão 2: portas e janelas estão abertas, muitas fontes de calor na sala. Portanto, feche a porta e as janelas, retire as fontes de calor.

Razão 3: os filtros estão muito sujos. Portanto, limpe ou substitua os filtros.

Razão 4: A entrada ou saída de ar está bloqueada. Então, remova o bloqueio.

Problema III: grande ruído

Motivo: o dispositivo não está colocado em uma superfície plana. Portanto, coloque o dispositivo em um local plano e duro para reduzir o ruído.

Problema IV: O compressor não funciona.

Razão: A proteção de retardo do compressor é ativada. Portanto, aguarde 3 minutos até a temperatura baixar e, em seguida, reinicie a máquina.

Problema V: O controle remoto não funciona.

Razão 1: a distância entre a máquina e o controle remoto é muito grande. Portanto, deixe o controle remoto se aproximar do ar condicionado e verifique se o controle remoto está voltado diretamente para a direção do receptor do controle remoto.

Razão 2: O controle remoto não está alinhado com a direção do receptor do controle remoto. Portanto, deixe o controle remoto se aproximar do ar condicionado e verifique se o controle remoto está voltado diretamente para a direção do receptor do controle remoto.

Razão 3: As pilhas estão gastas. Então, troque as pilhas.

Problema V.: O display mostra: "E1".

Razão: O sensor de temperatura do tubo está anormal. Portanto, entre em contato com o serviço profissional para obter ajuda.

Problema VI: O display mostra: "E2".

Motivo: o sensor de temperatura ambiente está anormal. Portanto, entre em contato com o serviço profissional para obter ajuda.

Nota: quando ocorrerem situações anormais, desligue a máquina e retire o plugue e entre em contato com o serviço profissional para obter ajuda.

Não repare o dispositivo você mesmo. Reparos não qualificados anularão :

DADOS TÉCNICOS:

Capacidade de refrigeração em BTU: 12000 BTU / hora

Capacidade de refrigeração em watts: 3520 W

Consumo de energia (refrigeração) em watts: 1350 W

Fluxo de ar: 400 m³ / hora

Capacidade de secagem: 28 litros / 24 horas

Classe energética: A

Temporizador: 1-24 horas

Agente de refrigeração: R290, 230 gramas

Nível de ruído: <65dB

Tensão: 220-240 V ~ 50Hz



Cuidado, risco de incêndio.

NÃO fure ou queime.

Esteja ciente de que o refrigerante pode não conter odor.



Proteção do meio ambiente. Rogamos, os embalagens de cartão destinem-se para papéis velhos. Os sacos de polietileno (PE) devem-se colocar em contenedores para material plástico. O dispositivo usado deve-se levar a um ponto de armazenamento adequado porque os componentes perigosos que ficam dentro do dispositivo podem ser perigosos para o meio ambiente. O dispositivo elétrico deve-se entregar de modo que se reduza a sua nova utilização e uso. Se no dispositivo há pilhas, devem-se tirar e levar a um ponto de armazenamento em separado. Não colocar o dispositivo em contenedores para resíduos municipais!!

LIETUVIŲ

CONDIÇÕES GERAIS DE SEGURANÇA

INSTRUÇÕES IMPORTANTES DE SEGURANÇA LEIA COM ATENÇÃO E SALVE PARA O FUTURO

1. Antes de usar o dispositivo, leia o manual de operação e siga as instruções nele contidas. O fabricante não se responsabiliza por danos causados pelo uso do dispositivo contrário ao seu objetivo ou operação incorreta.
2. O dispositivo é apenas para uso doméstico. Não use para outros fins que não sejam para o fim a que se destina.
3. O dispositivo deve ser conectado apenas a uma tomada CA com 220 240V ~ 50Hz aterrada. Para aumentar a segurança operacional, vários dispositivos elétricos não devem ser conectados a um circuito de corrente ao mesmo tempo.
4. Tenha muito cuidado ao usar o dispositivo quando houver crianças por perto. Não permita que crianças brinquem com o dispositivo, não permita que crianças ou pessoas não familiarizadas com o dispositivo o usem.
5. AVISO: Este equipamento pode ser usado por crianças acima de 8 anos de idade e pessoas com habilidades físicas, sensoriais ou mentais limitadas, ou pessoas que não têm experiência ou conhecimento do equipamento, se isso for feito sob a supervisão de uma pessoa responsável. por sua segurança ou tenham recebido informações sobre o uso seguro do dispositivo e estão cientes dos perigos de usá-lo. As crianças não devem brincar com o equipamento. A limpeza e manutenção do dispositivo não devem ser realizadas por

crianças, a menos que tenham mais de 8 anos e essas atividades sejam realizadas sob supervisão.

6. Sempre desconecte o plugue de energia segurando o soquete com a mão após o uso. NÃO puxe pelo cabo de alimentação.

7. Não mergulhe o cabo, plugue e todo o dispositivo em água ou qualquer outro líquido. Não exponha o dispositivo a condições atmosféricas (chuva, sol, etc.) ou use em condições de alta umidade (banheiros, casas móveis úmidas).

8. Verifique periodicamente as condições do cabo de alimentação. Se o cabo de alimentação estiver danificado, ele deverá ser substituído por uma oficina especializada para evitar perigos.

9. Não use o aparelho com um cabo de alimentação danificado ou se ele caiu ou foi danificado de qualquer outra maneira ou se não estiver funcionando corretamente. Não repare o dispositivo, pois existe o risco de choque elétrico. Leve o dispositivo danificado a um centro de serviço apropriado para verificação ou reparo. Todos os reparos podem ser realizados apenas por pontos de serviço autorizados. Reparos executados incorretamente podem causar sérios perigos ao usuário.

10. Coloque o dispositivo em uma superfície fria e estável, longe de utensílios de cozinha quentes, como: fogão elétrico, queimador de gás, etc.

11. Certifique-se de que nada esteja bloqueando a entrada e saída de ar do dispositivo

12. Use o dispositivo apenas em uma superfície nivelada para evitar que a condensação se espalhe

13. Para fornecer proteção adicional, é aconselhável instalar um dispositivo de corrente residual (RCD) no circuito elétrico com uma corrente residual nominal que não exceda 30mA. Peça a um eletricista para isso.

14. Limpe o filtro de ar regularmente. A frequência da limpeza depende da limpeza do ar.

15. Depois de desligar a máquina, aguarde pelo menos 5 minutos antes de ligá-la novamente.

16. Não use o dispositivo em locais ensolarados. Quando o dispositivo superaquece, a proteção contra superaquecimento liga o dispositivo.

17. Para garantir um resfriamento eficaz, deve-se manter uma distância de pelo menos 50 cm entre as paredes laterais do dispositivo e a parede ou móveis ou cortinas.

18. Devido ao desempenho limitado do dispositivo, se a diferença entre a temperatura alvo e a temperatura ambiente for muito alta, a temperatura alvo poderá não ser alcançada.

19. Para reduzir o risco de incêndio, choque elétrico ou lesão ao usar o ar condicionado, observe as seguintes precauções básicas:

a) Conecte a uma tomada aterrada com 3 pinos.

b) Não remova o pino de aterramento.

c) Não use o adaptador.

d) Não use um cabo de extensão.

e) Desconecte o ar condicionado antes de fazer a manutenção.

f) Use duas ou mais pessoas para mover e instalar o ar condicionado.

20. Nė use agentes que acelerem o processo de degelo ou limpeza, alėm dos recomendados pelo fabricante.

21. O dispositivo deve ser armazenado em uma sala sem fontes de igniėao em operaėao constante, por exemplo: fogo aberto, eletrodomėsticos a gás ou aquecedores elėtricos.

IRENGINIO APRAŠYMAS

1. Valdymo skydas
2. Reguluojama anga
3. Oro filtro korpusas
4. Oro įleidimo anga
5. Užmaukite kištuką
6. Išmetimo vamzdžio armatūra
7. Drenažo skylė nuolatiniam vandens išleidimui
8. Drenažo skylė visam vandens išleidimui iš prietaiso
9. Laikmaėio mygtukas
10. FAN mygtukas
11. Temperatūros ir laiko mygtukas aukštyn / žemyn
12. MODE pasirinkimo mygtukas
13. POWER mygtukas
14. LCD ekranas
15. Vertikalaus svyravimo mygtukas
16. Temperatūros vieneto keitimo mygtukas
17. SLEEP režimo mygtukas
18. Pilno vandens rezervuaro kontrolinė lemputė „FL“
19. Išmetimo vamzdis
20. Langų sandarinimo plokštės surinkimas
21. Atraminis varžtas
22. Viršutinio filtro pleišto blokas
23. Apatinio filtro pleišto blokas

MONTAVIMAS

Prieš pirmąjį naudojimą surinkite prietaisą taip:

1. Prietaisas turi būti pastatytas ant lygaus paviršiaus. Jei norite apriboti oro srautą, atstumas nuo sienos ar kitų daiktų turi būti ne mažesnis kaip 50 cm - žiūrėkite į 6 paveikslą. Nemonuokite ir nenaudokite prietaiso vonios kambaryje ar kitoje drėgnoje aplinkoje.

2. Įdėkite lango sandarinimo plokštės mazgą (20):

a) Pusiau atidarykite langą ir pritvirtinkite lango sandarinimo plokštės mazgą (20) prie lango (kaip parodyta 5 paveiksle); agregatą (20) galima pastatyti horizontalia ir vertikalia kryptimi.

b) Ištraukite įvairius langų sandarinimo plokštės mazgo komponentus, sureguliuokite atidarymo atstumą, kad abu agregato galai liestųsi prie lango rėmo, ir pritvirtinkite mazgo dalis.

3. Pailginkite išmetimo vamzdį (19) ir įkiškite plokščią šilumos vamzdžio jungčių galą į lango sandarinimo plokštės agregato elipsinę angą (kaip parodyta 6 paveiksle).

Pastabos: 1. plokščias išmetimo vamzdžio jungčių galas turi būti užfiksuotas vietoje.

4. Išmetimo žarnos ilgis turi būti 280 ~ 1 500 mm, ji negali būti iškreipta ir neturi esminio posūkio (didesnė kaip 45 °). Išmetimas turi būti netrukdomas; kitaip jis gali perkaisti. Nenaudokite ilginamųjų vamzdžių ir nepakeiskite jų kitomis skirtingomis žarnos, nes tai gali sukelti gedimą.

IRENGINIO VEIKIMAS

Prijungus įrenginį prie tinklo, garsinis signalas grįš įjungtą muziką, įjungs budėjimo režimą ir parodys esamą aplinkos temperatūrą.

1. Norėdami įjungti arba išjungti įrenginį, paspauskite mygtuką (13).

2. Paspauskite mygtuką (12), norėdami pasirinkti vieną iš galimų režimų: COOL -> FAN -> DRY

3. „COOL“ režime nustatykite temperatūrą aukštyn / žemyn mygtukais (11). Tai negalima ventiliatoriaus ir oro sausinimo režimu.)

4. Kai režimas yra „COOL“ arba „FAN“, naudokite mygtuką „FAN“ (10), norėdami nustatyti ventiliatoriaus greitį: STRONG (F3), MEDIUM (F2), WEAK (F1). Bet vėjo greitį riboja antivirusinės sąlygos, tam tikromis sąlygomis jis gali veikti ne pagal nustatytą vėjo greitį. DRY režime ventiliatoriaus automatiškai nustatomas į WEAK lygį.

5. Išjungus prietaisą, jį galima įjungti su paspaudimu TIMER mygtuku (9). Paspauskite AUKŠTŲN / ŽEMYN mygtukus (11), kad nustatytumėte prietaiso įjungimo laiką, pasirinkdami laiką nuo 1 iki 24 valandų. Įjungus prietaisą, jį galima išjungti paspaudus laikmaėio mygtuką (9). Paspauskite AUKŠTŲN / ŽEMYN mygtukus (11), kad nustatytumėte prietaiso išjungimo laiką pasirinkdami laiką nuo 1 iki 24 valandų.

6. Vienu metu paspausdami mygtuką AUKŠTŲN (11) ir FAN mygtuką (10) arba paspausdami mygtuką SLEEP (17) nuotolinio valdymo pulte, įrenginį galima perjungti į miego režimą. Tada prietaisas veiks ramiai energijos taupymo režimu. Ši funkcija pasiekama tik vėsinimo režime, negalima ventiliatoriaus ir džiovinimo režimais.

7. Reikalingos kambario temperatūros vienetus (°C <-> °F) galima pakeisti paspaudus nuotolinio valdymo pulto mygtuką (16) arba tu pačiu metu paspaudžiant abu mygtukus aukšтын (11) ir žemyn (11), kad būtų galima persijungti iš Celsijaus (°C), ir Farenheitas (°F).
8. Paspauskite mygtuką (15), kad pradėtumėte oro svyravimą, žaliuzės judės vertikaliai. Dar kartą paspauskite, kad sustabdytų oro virpėjimą.

NUSTATYMO INSTRUKCIJA

NUSTATYMAS NAUDOTIS: Kai vanduo vandens telkinyje viršija įspėjamąjį lygį, prietaisas automatiškai paskelbs aliarmą, o LCD ekrano (14) srityje pasirodys „FL“. Taip pat užsideds PILNA vandens valdymo lemputė (18). Tada išjunkite įrenginį ir ištraukite kištuką iš lizdo. Atsargiai judinkite prietaisą, kad neištekėtų vandens į vandens indą korpuso apačioje. Tada po kanalizacijos anga (8) padėkite indą (neįtrauktą į komplektą), atsukite jį ir nuimkite dangtelį uždarydami dangtelį - žiūrėkite 7 paveikslą. Leiskite vandeniui išpilti, drenažo metu korpusą galima šiek tiek pakreipti atgal. Tada vėl įdėkite ir įjunkite įrenginį.

TINSTINIS NUSTATYMAS: režime „COOL“ ir „DRY“ galite prijungti vamzdį (neįeina į komplektą) į nuolatinį kanalizaciją - 9 nuotrauka. Norėdami tai padaryti, atsukite ir nuimkite dangtelį, uždaromą nuolatinio vandens nutekėjimo angą (7). Tada įleiskite drenažo žarną (komplekte nėra) į vandens išleidimo angą, o kitą galą įmeskite į talpų indą.

APSAUGOS PRIETAISAI

1. Apsaugos nuo užšalimo funkcija: aušinimo, sausinimo arba ekonominio energijos taupymo režime, jei išmetimo vamzdžio temperatūra yra per žema, mašina automatiškai įgis apsaugos būseną; Jei išmetimo vamzdžio temperatūra pakyla iki tam tikros temperatūros, jis gali automatiškai grįžti į normalų režimą.
2. Apsaugos nuo perpildymo funkcija: perskaitykite skyrį DRAŠINIMO INSTRUKCIJOS. Išleidus vandenį mašina automatiškai grįš į pradinę būseną.
3. Automatinis atitirpinimas: prietaisas turi automatinę atitirpinimo funkciją: atitirpinimo metu ekrano ekrane mirksės šildymo simbolis.
4. Kompresoriaus apsaugos funkcija: norint padidinti kompresoriaus tarnavimo laiką, jis turi 3 minučių delsimo apsaugos funkciją po to, kai kompresorius yra išjungtas.

VALYMAS IR PRIEŽIŪRA

Valymas: prieš valymą ir priežiūrą išjunkite prietaisą ir atjunkite kištuką.

1) Būsto valymas

Valykite prietaiso paviršių šlapią minkšta šluoste. Nenaudokite chemikalų, tokių kaip benzenas, alkoholis, benzinas, kitaip pažeisite prietaiso paviršių ar net visą mašiną.

2) Tinklo filtrų valymas

Jei filtras užsikimšęs dulėmis, tada prietaiso efektyvumas sumažėja, filtrą valykite kas dvi savaites. Nuvalykite viršutinius ir apatinius filtrų rėmus, pašalinę juos iš galinės prietaiso pusės - 8 paveikslas.

* Viršutinis filtro ekrano rėmas: rankomis užsekite filtro ekrano rėmo pleištinį bloką. Norėdami pašalinti filtro ekrano rėmelį, išstumkite jį iš išorės. Atsukite keturis varžtus, pritvirtinančius filtro ekraną ir galinį korpusą, kad nuimtumėte filtro ekraną (kaip parodyta 8 paveiksle).

* Apatinis filtro ekrano rėmas: Laikykite filtro ekrano rėmo rankenėlę ir švelniai patraukite į išorę, kad nuimtumėte.

* Abu filtrų ekranus įpilkite į šiltą vandenį su neutraliu plovikliu (apie 40 °C / 104 °F) ir išdžiovinkite juos šešėlyje.

LAIKYMAS

Jei įrenginys ilgą laiką nebus naudojamas, atlikite šiuos veiksmus:

1. Ištraukite drenažo kamštį (8), kad tekėtų vanduo.
2. Leiskite prietaisui 2 valandas veikti ventilatoriaus režimu, kad išdžiūtų jo vidinė dalis.
3. Išjunkite prietaisą ir ištraukite kištuką.
4. Nuvalykite ir nusausinkite filtrus, tada vėl juos įdėkite.
5. Norėdami saugiai laikyti, ištraukite išmetimo vamzdį.
6. Įdėkite mašiną į plastikinį maišelį ir padėkite ant sausos vietos.
7. Išimkite nuotolinio valdymo pulto baterijas ir laikykite jas tinkamai.

PROBLEMŲ SPRENDIMAS

I problema: oro kondicionierius neveikia.

1 priežastis: nėra elektros. Taigi, įjunkite jį, prijungę jį prie elektros lizdo.

2 priežastis: Vandens kontrolinė lemputė rodo „FL“. Taigi, išleisk vandenį.

3 priežastis: vėsinimo režime kambario temperatūra yra žemesnė už nustatytą. Taigi, pakeiskite temperatūros lygį.

4 priežastis: sausinimo režime aplinkos temperatūra yra žema. Atminkite, kad prietaisas yra patalpoje, kurioje aplinkos temperatūra yra didesnė kaip 17 °C (62 °F).

5 priežastis: aplinkos temperatūra yra per žema arba per aukšta. Numatoma prietaiso darbo temperatūra yra 7–35 °C (44–95 °F).

II problema: aušinimo poveikis nėra geras.

1 priežastis: tiesioginiai saulės spinduliai. Taigi, nupieškite užuolaidas.

2 priežastis: durys ir langai yra atviri, kambaryje yra daug šilumos šaltinių. Taigi uždarykite duris ir langus, išmeskite šilumos šaltinius.

3 priežastis: filtrai yra per daug nešvarūs. Taigi, išvalykite arba pakeiskite filtrus.

4 priežastis: Oro įleidimo ar išleidimo angos blokuojamos. Taigi, pašalinkite užsikimšimą.

III problema: didelis triukšmas

Priežastis: įrenginys nėra pastatytas ant lygaus paviršiaus. Taigi, padėkite prietaisą ant plokščios ir kietos vietos, kad sumažintumėte

Triukšma.

IV problēma: kompresorius neveikia.

Priekšzīde: Iejungama kompresorius apsarga nuo uzdelsimo. Taigi palaukite 3 minutes, kol sumažēs temperatūra, tada paleiskite mašīnā iš naujo.

V problēma: Nuotolinio valdymo pultas neveikia.

1 priekšzīde: atstumas tarp mašīnas ir nuotolinio valdymo pulto yra per didelis. Taigi, leiskite nuotolinio valdymo pultui priartėti prie oro kondicionieriaus ir įsitikinkite, kad nuotolinio valdymo pultas yra tiesiogiai nukreiptas į nuotolinio valdymo imtuvą kryptį.

2 priekšzīde: nuotolinio valdymo pultas nėra suderintas su nuotolinio valdymo imtuvu kryptimi. Taigi, leiskite nuotolinio valdymo pultui priartėti prie oro kondicionieriaus ir įsitikinkite, kad nuotolinio valdymo pultas yra tiesiogiai nukreiptas į nuotolinio valdymo imtuvą kryptį.

3 priekšzīde: Baterijos nebenaudojamos. Taigi, pakeiskite baterijas.

V problēma: Ekране rodoma: „E1“.

Priekšzīde: vamzdžio temperatūros jutiklis yra nenormalus. Taigi, kreipkitės pagalbos į profesionalų tarnybą.

VI problēma: Ekране rodoma: „E2“.

Priekšzīde: kambario temperatūros jutiklis yra nenormalus. Taigi, kreipkitės pagalbos į profesionalų tarnybą.

Pastaba: iškilus neįprastoms situacijoms, išjunkite mašīnā ir ištraukite kištuką, tada kreipkitės į profesionalų aptarnavimo tarnybą.

Netaisykite prietaiso patys. Nekvalifikuotas remontas negalioja.

TECHNINIAI DUOMENYS:

Aušinimo galia BTU: 12000 BTU / val

Aušinimo galia vatais: 3520 W

Energijos suvartojimas (vėsinimas) vatais: 1350 W

Oro srautas: 400 m³ / val

Džiovinimo galia: 28 litrai per 24 valandas

Energijos klasė: A

Laikmatis: 1-24 valandos

Aušinimo priemonė: R290, 230 gramų

Triukšmo lygis: <65 dB

Įtampa: 220–240 V ~ 50 Hz



Atsargiai, gaisro pavojus.

NEGALIMA pradurti ir nedeginti.

Atminkite, kad šaltnešis neturi kvapo.



Rūpinantis aplinka. Kartono pakuotes atiduoti į makulatūrą. Polietileno (PE) maišelius mesti į plastikui skirtą konteinerį. Susidėvėjusį prietaisą atiduoti į atitinkamą atliekų surinkimo vietą, nes prietaise esančios pavojingos medžiagos gali kelti grėsmę aplinkai. Elektrinį prietaisą atiduoti tokį, kad nebūtų galima jo pakartotinai naudoti ir panaudoti. Jeigu prietaise yra baterijos, būtina jas išimti ir atskirai atiduoti į atliekų surinkimo vietą. Nemesti prietaiso į buitinių atliekų konteinerį!

LATVIEŠU

VISPĀRĪGIE DROŠĪBAS NOSACĪJUMI

SVARĪGAS DROŠĪBAS INSTRUKCIJAS RŪPĪGI LASĪT UN SAUDZĒT NĀKOTNĒM

1. Pirms ierīces izmantošanas izlasiet lietošanas instrukciju un ievērojiet tajā sniegtos norādījumus. Izgatavotājs nav atbildīgs par zaudējumiem, kas radušies, izmantojot ierīci pretēji paredzētajam mērķim vai nepareizu darbību.
2. Ierīce paredzēta tikai lietošanai mājās. Nelietojiet citiem mērķiem, kas nav paredzēti paredzētajam mērķim.
3. Ierīce jāpievieno maiņstrāvas kontaktligzdai tikai ar iezemētu 220 240 V ~ 50 Hz. Lai palielinātu ekspluatācijas drošību, vairākas elektriskās ierīces nedrīkst būt savienotas vienā strāvas ķēdē vienlaikus.
4. Esiet īpaši piesardzīgs, lietojot ierīci, kad tuvumā ir bērni. Neļaujiet bērniem spēlēties ar ierīci, neļaujiet to lietot bērniem vai cilvēkiem, kuri to nepazīst.
5. BRĪDINĀJUMS. Šo aprīkojumu var izmantot bērni, kas vecāki par 8 gadiem, un cilvēki ar ierobežotām fiziskām, maņu vai garīgajām spējām vai cilvēki, kuriem nav pieredzes vai zināšanu par šo aprīkojumu, ja tas tiek veikts atbildīgas personas uzraudzībā. Viņu drošībai

- vai viņiem ir piešķirta informācija par ierīces drošu lietošanu un viņi apzinās tās lietošanas bīstamību. Bērni nedrīkst spēlēt ar aprīkojumu. Ierīces tīrīšanu un apkopi nedrīkst veikt bērni, ja vien viņi ir vecāki par 8 gadiem un šīs darbības tiek veiktas uzraudzībā.
6. Pēc lietošanas vienmēr atvienojiet strāvas kontaktdakšu, turot kontaktlīdzdu ar roku. NEvelciet strāvas vadu.
7. Neiegremdējiet kabeli, kontaktdakšu un visu ierīci ūdenī vai citā šķidrumā. Nepakļaujiet ierīci atmosfēras iedarbībai (lietus, saule utt.) Vai nelietojiet paaugstināta mitruma apstākļos (vannas istabas, mitras pārvietojamās mājas).
8. Periodiski pārbaudiet strāvas vada stāvokli. Ja strāvas vads ir bojāts, tas jāmaina specializētā remondarbūcā, lai izvairītos no briesmām.
9. Nelietojiet ierīci ar bojātu strāvas vadu, ja tā ir nomesta vai citādi bojāta, vai arī tā nedarbojas pareizi. Neuzlabojiet ierīci pats, jo pastāv elektriskās strāvas trieciena risks. Nogādājiet bojāto ierīci pārbaudei vai labošanai atbilstošā servisa centrā. Visus remontdarbus drīkst veikt tikai pilnvaroti servisa punkti. Nepareizi veikts remonts var radīt nopietnas briesmas lietotājam.
10. Novietojiet ierīci uz vēsas, stabilas virsmas, prom no karstām virtuves ierīcēm, piemēram, elektriskās plīts, gāzes degļa utt.
11. Pārliedzinieties, ka nekas neliedz ierīces gaisa ieplūdi un izplūdi
12. Izmantojiet ierīci tikai uz līdzenas virsmas, lai novērstu kondensāta izliešanu
13. Lai nodrošinātu papildu aizsardzību, ieteicams elektriskajā ķēdē uzstādīt atlikušās strāvas ierīci (RCD) ar nominālo atlikušo strāvu, kas nepārsniedz 30mA. Par to jautājiet elektriķim.
14. Regulāri notīriet gaisa filtru. Tīrīšanas biežums ir atkarīgs no gaisa tīrības.
15. Pēc mašīnas izslēgšanas nogaidiet vismaz 5 minūtes, pirms to atkal ieslēdzat.
16. Nelietojiet ierīci saulainās vietās. Kad ierīce pārkarst, ierīce pārkaršanās laikā ieslēdzas.
17. Lai nodrošinātu efektīvu dzesēšanu, starp ierīces sānu sienām un sienu, mēbelēm vai aizkariem jābūt vismaz 50 cm attālumam.
18. Ierīces ierobežotās darbības dēļ, ja starpība starp mērķa temperatūru un apkārtējās vides temperatūru ir pārāk liela, mērķa temperatūra var netikt sasniegta.
19. Lai samazinātu ugunsgrēka, elektriskās strāvas trieciena vai ievainojumu risku, lietojot gaisa kondicionieri, ievērojiet šādus pamata piesardzības pasākumus:
- a) Pievienojiet iezemētai kontaktlīdzdai ar 3 tapām.
 - b) nenovietojiet zemējuma galu.
 - c) Nelietojiet adapteri.
 - d) Nelietojiet pagarinātāju.
 - e) Pirms apkopes atvienojiet gaisa kondicionieri.
 - f) Gaisa kondicionētāja pārvietošanai un uzstādīšanai izmantojiet divus vai vairāk cilvēkus.
20. Nelietojiet līdzekļus, kas paātrina atkausēšanas vai tīrīšanas procesu, izņemot tos, kurus ieteicis ražotājs.
21. Ierīce jāuzglabā telpā, kurā pastāvīgi nedarbojas aizdedzes avoti, piemēram: atklāta uguns, gāzes ierīces vai elektriskie sildītāji.

IERĪCES APRAKSTS

1. Vadības panelis
2. Regulējama ventilācija
3. Gaisa filtra korpuss
4. Gaisa ieplūde
5. Ievietojiet kontaktdakšu
6. Izplūdes caurules stiprinājums
7. Drenāžas caurums nepārtrauktai ūdens novadīšanai
8. Drenāžas caurums pilnīgai ūdens novadīšanai no ierīces
9. Taimera poga
10. FAN poga
11. Temperatūras un laika poga Augšup / Uz leju
12. MODE izvēles poga
13. POWER poga
14. LCD displejs
15. Vertikālās svārstību poga
16. Temperatūras vienības mainīšanas poga
17. SLEEP režīma poga
18. Pilna ūdens tvertnes vadības lampa "FL"
19. Izplūdes caurule
20. Logu blīvējuma plāksnes montāža
21. Stiprināšanas skrūve
22. Augšējā filtra ķīļveida bloks
23. Apakšējā filtra ķīļveida bloks

MONTĀŽA

Pirms pirmās lietošanas ierīci salieciet šādi:

1. Ierīce jānovieto uz līdzenas virsmas. Attālumam līdz sienai vai citiem priekšmetiem jābūt vismaz 50 cm, lai neierobežotu gaisa plūsmu - skatiet 6. attēlu. Neuzstādieliet un nelietojiet ierīci vannas istabā vai citā mitrā vidē.
 2. Uzstādieliet loga blīvējuma plāksnes komplektu (20):
 - a) Līdz pusei atveriet logu un uzstādieliet loga blīvējuma plāksnes komplektu (20) pie loga (kā parādīts 5. attēlā); mezglu (20) var novietot horizontālā un vertikālā virzienā.
 - b) Izvelcieliet dažādas logu blīvējuma plāksnes komplekta sastāvdaļas, noregulējieliet atvērums attālumu, lai abi komplekta gali nonāktu saskarē ar loga rāmi, un nostiprinieliet komplekta sastāvdaļas.
 3. Izstiepieliet izplūdes cauruli (19) un iespraudieliet siltuma caurules savienojumu plakano galu loga blīvējuma plāksņū agregāta elipses caurumā (kā parādīts 6. attēlā).
- Piezīmes: 1. Izplūdes caurules savienojumu plakanam galam jābūt nofiksētam vietā.
4. Izplūdes šūtenes garumam jābūt 280 ~ 1500 mm, to nevar izkropļot un tam nav būtiska pagrieziens (lielāks par 45 °). Izplūdei jābūt netraucētai; pretējā gadījumā tas var izraisīt pārkaršanu. Nelietojiet pagarinājuma caurules un neaizvietojiet tās ar citām atšķirīgām šūtenēm, jo tas var izraisīt darbības traucējumus.

IERĪCES DARBĪBA

Pēc ierīces pievienošanas elektrotīklam, skaņas signāls atskaņos ieslēgtu mūziku, tas pārslēgsies gaidīšanas režīmā un parādīs pašreiziējo apkārtējās vides temperatūru.

1. Lai ieslēgtu vai izslēgtu ierīci, nospiedieliet pogu (13).
2. Nospiedieliet pogu (12), lai izvēlētos vienu no pieejamajiem režīmiem: COOL -> FAN -> DRY
3. Atdzesēšanas režīmā iestadieliet temperatūru, izmantojot pogas AUGŠU / UZ LEJU (11). Tas nav pieejams ventilatora un gaisa sausināšanas režīmā.)
4. Atdzesēšanas vai ventilatora režīmā izmantojieliet taustiņu FAN (10), lai iestadielātu ventilatora ātrumu: STRONG (F3), MEDIUM (F2), WEAK (F1). Bet vēja ātruma darbību ierobežo pretaukstuma apstākļi, noteiktos apstākļos tas var nedarboties atbilstoši iestadielītajam vēja ātrumam. DRY režīmā ventilators tiek automātiski iestadielīts uz WEAK līmeni.
5. Kad ierīce ir izslēgta, to var ieslēgt ar nokavēšanas, nospiežot TIMER pogu (9). Nospiedieliet UP / DOWN pogas (11), lai iestadielātu ierīces aktivizēšanas laiku, izvēloties laiku diapazonā no 1-24. Kad ierīce ir ieslēgta, to var izslēgt ar nokavēšanas, nospiežot TIMER pogu (9). Nospiedieliet UP / DOWN pogas (11), lai iestadielātu ierīces izslēgšanas laiku, izvēloties laiku diapazonā no 1-24 stundām.
6. Vienlaicīgi nospiežot UP pogu (11) un FAN pogu (10) vai nospiežot pogu SLEEP (17) uz tālvadības pults, ierīci var pārslēgt miega režīmā. Pēc tam ierīce mierīgi darbosies enerģijas taupīšanas režīmā. Šī funkcija ir pieejama tikai COOL režīmā, nav pieejama režīmā FAN un DRY.
7. Nepieciešamās istabas temperatūras vienības (°C <-> °F) var mainīt, nospiežot tālvadības pults pogu (16) vai vienlaikus nospiežot abas pogas augšup (11) un lejup vērsto taustiņu (11), lai pārslēgtos no Celsija (°C). un Fārenheita (°F).
8. Nospiedieliet pogu (15), lai sāktu gaisa svārstības, žalūzijas pārvietojas vertikāli. Nospiedieliet to vēlreiz, lai apturētu gaisa svārstības.

V problēma: Tālvadības pults nedarbojas.

1. iemesls: attālums starp mašīnu un tālvadības pulti ir pārāk liels. Tāpēc ļaujiet tālvadības pultsi nokļūt tuvu gaisa kondicionierim un pārliecinieties, vai tālvadības pults ir tieši vērstā pret tālvadības pults uztvērēja virzienu.

2. iemesls: tālvadības pults nav saskaņota ar tālvadības pults uztvērēja virzienu. Tāpēc ļaujiet tālvadības pultsi nokļūt tuvu gaisa kondicionierim un pārliecinieties, vai tālvadības pults ir tieši vērstā pret tālvadības pults uztvērēja virzienu.

3. iemesls: baterijas ir beigušās. Tātad, nomainiet baterijas.

V problēma: Displejā redzams: "E1".

Iemesls: cauruldāva temperatūras sensors nav normāls. Tāpēc sazinieties ar profesionālo servisu, lai saņemtu palīdzību.

VI problēma: Displejā redzams: "E2".

Iemesls: Telpas temperatūras sensors ir neparasts. Tāpēc sazinieties ar profesionālo servisu, lai saņemtu palīdzību.

Piezīme: ja rodas neparastas situācijas, izslēdziet mašīnu un izvelciet kontaktus:

Neuzlabojiet ierīci pats. Nekvalificēts remonts anulē garantiju.

TEHNISKIE DATI:

Dzesēšanas jauda BTU: 12000 BTU / stundā

Dzesēšanas jauda vatos: 3520 W

Enerģijas patēriņš (dzesēšanai) vatos: 1350 W

Gaisa plūsma: 400 m³ / stundā

Žāvēšanas jauda: 28 litri / 24 stundas

Enerģijas klase: A

Taimeris: 1-24 stundas

Dzesēšanas līdzeklis: R290, 230 grami

Troksņa līmenis: <65dB

Spriegums: 220-240 V ~ 50Hz



Piesardzība, ugunsbīstamība.

NAV caurdurt un nededzināt.

Nemiet vērā, ka dzesēšanas šķidrumam nedrīkst būt smakas.



Apkārtējās vides aizsardzība. Kartona iepakojumu, lūzdu, nododiet atsevišķi pārstrādei. Polietilēna maisiņus (PE) izmest plastmasas izstrādājumiem paredzētajos konteineros. Lietotās elektropreces nododiet atbilstošajās pieņemšanas punktās. Ierīcē satur bīstamas sastāvdaļas, kas var izraisīt draudus apkārtējai videi. Elektroierīcē jānodrošina tā, lai ierobežotu tās atkārtotu izmantošanu. Ja ierīcē atrodas baterijas, izņemiet tās un nododiet pieņemšanas punktā atsevišķi. Produktu neizmest sadzīves atkritumu konteinerā!

EESTI

ÜLDISED OHUTUSTINGIMUSED

OLULISED OHUTUSJUHISED LUGEGE ETTEVAATUST JA HOIDKE TULEVIKKU

1. Enne seadme kasutamist lugege kasutusjuhendit ja järgige selles sisalduvaid juhiseid. Tootja ei vastuta kahjude eest, mis on põhjustatud seadme eesmärgipärasest kasutamisest või ebaõigest kasutamisest.
2. Seade on ette nähtud ainult koduseks kasutamiseks. Ärge kasutage muuks otstarbeks kui otstarbeks.
3. Seadme toiteallikat tuleks ühendada ainult maandatud 220 240 V ~ 50 Hz sagedusega. Tööohutuse suurendamiseks ei tohiks mitu vooluahelat üheaegselt ühendada.
4. Kui olete läheduses, kasutage seadet eriti ettevaatlikult. Ärge lubage lastel seadmega mängida, ärge lubage lastel ega inimestel, kes pole seadmega tuttavad, seda kasutada.
5. HOIATUS. Seda seadet võivad kasutada üle 8-aastased lapsed ja piiratud füüsilise, sensoorse või vaimse võimekusega inimesed või inimesed, kellel pole seadme kasutamise kohta kogemusi ega teadmisi, kui seda tehakse vastutava isiku järelevalve all. nende ohutuse tagamiseks või neile on antud teavet seadme ohutu kasutamise kohta ja nad on teadlikud selle kasutamisega seotud ohtudest. Lapsed ei tohiks varustusega mängida. Seadme puhastamist ja hooldamist tohivad teha ainult lapsed, välja arvatud juhul, kui nad on üle 8 aasta vanad ja neid toiminguid teostatakse järelevalve all.
6. Ühendage toitepistik alati lahti, hoides pärast kasutamist pistikupesast käega. ÄRGE tõmmake toitejuhtmest.
7. Ärge kastke kaablit, pistikut ja kogu seadet vette ega muusse vedelikku. Ärge jätke

seedet atmosfääriolude (vihm, päike jne) kätte ega kasutage kõrge õhuniiskusega tingimustes (vannituba, niiske liikuv kodu).

8. Kontrollige perioodiliselt toitejuhtme seisukorda. Kui toitejuhe on kahjustatud, peaks selle ohu vältimiseks välja vahetama spetsialiseeritud remonditöökojas.

9. Ärge kasutage seedet kahjustatud toitejuhtmega, kui see on maha kukkunud või muul viisil kahjustatud või kui see ei tööta korralikult. Ärge parandage seedet ise, kuna seal võib tekkida elektrilöögi oht. Viige kahjustatud seade kontrollimiseks või parandamiseks vastavasse teeninduskeskusesse. Kõiki remonditöid tohivad teha ainult selleks volitatud teeninduspunktid. Valesti tehtud remonditööd võivad kasutajale põhjustada tõsiseid ohte.

10. Asetage seade jahedale, kindlale pinnale, eemal kuumadest köögiseadmetest, nagu näiteks: elektripliit, gaasipõleti jne.

11. Veenduge, et miski ei blokeeri seadme õhu sisse- ja väljalaskeava

12. Kasutage seedet ainult tasasel pinnal, et vältida kondensaadi väljavoolamist

13. Täiendava kaitse tagamiseks on soovitatav paigaldada vooluahelasse jääkvoolu seade (RCD), mille nimijärgivool ei ületa 30mA. Küsige seda elektrikult.

14. Puhastage regulaarselt õhufiltrit. Puhastamise sagedus sõltub õhu puhtusest.

15. Pärast masina väljalülitamist oodake enne sisselülitamist vähemalt 5 minutit.

16. Ärge kasutage seedet päikesepaistelistes kohtades. Kui seade üle kuumeneb, lülitatakse ülekuumenemise kaitse seade sisse.

17. Tõhusa jahutuse tagamiseks tuleks seadme külgeinte ja seinu või mööbli või kardinate vahel hoida vähemalt 50 cm vahemaa.

18. Seadme piiratud jõudluse tõttu võib sihttemperatuuri mitte saavutada, kui sihttemperatuuri ja ümbritseva õhu temperatuuride erinevus on liiga suur.

19. Tulekahju, elektrilöögi või vigastuste ohu vähendamiseks kliimaseadme kasutamisel järgige järgmisi põhilisi ettevaatusabinõusid:

a) Ühendage 3 tihvtiga maandatud pistikupesaga.

b) Ärge eemaldage maandusharku.

c) Ärge kasutage adapterit.

d) Ärge kasutage pikendusjuhet.

e) Enne hooldust ühendage konditsioneer lahti.

f) Kliimaseadme teisaldamiseks ja paigaldamiseks kasutage kahte või enam inimest.

20. Sulatamise või puhastamise kiirendamiseks kasutage ainult tootja soovitatud vahendeid.

21. Seedet tuleks hoida ruumis, kus pole pidevalt töötavaid süüteallikaid, näiteks: lahtine tuli, gaasiseadmed või elektrikerised.

SEADME KIRJELDUS

1. Juhtpaneel
2. Reguleeritav tuulutusava
3. Õhufiltri korpus
4. Õhu sisselaskeava
5. Paigaldage pistik
6. Väljalasketoru liitmik
7. Drenaaviava pidevaks vee ärajuhtimiseks
8. Drenaaviava seadme täielikuks tühjendamiseks
9. Taimer nupp
10. FAN nupp

11. Temperatuuri ja kellaaja nupp ÜLES / ALLA
12. MODE valiku nupp
13. Nupp POWER
14. LCD ekraan
15. Vertikaalse võnke nupp
16. Temperatuuri mõõtühiku muutmise nupp
17. Nupp SLEEP
18. Täisveemahuti kontrolllamp "FL"
19. Väljalasketoru
20. Akende tihendusplaadi kokkupanek
21. Kinnituskruvi
22. Ülemise filtri kiiluplokk
23. Alumise filtri kiiluplokk

Kokkupanek

Enne esmakordset kasutamist pange seade kokku järgmiselt:

1. Seade tuleks asetada tasasele pinnale. Õhuvoolu piiramiseks peab kaugus seinast või muudest esemetest olema vähemalt 50 cm - vaadake pilti 6. Ärge paigaldage ega kasutage seadet vannitupa ega muusse niiskesse keskkonda.
 2. Paigaldage akna tihendusplaadi komplekt (20):
 - a) Avage aken pooleldi ja kinnitage akna tihendusplaadi komplekt (20) akna külge (nagu pildil 5); sõlme (20) saab paigutada horisontaalselt ja vertikaalselt.
 - b) Tõmmake akna tihendusplaadi erinevad komponendid lahti, reguleerige avamiskaugust, et viia agregaadid mõlemad otsad aknaraamiga kontakti, ja kinnitage agregaadid komponendid.
 3. Pikendage väljalasketoru (19) ja kinnitage soojustorude ühenduste lame ots akna tihendusplaadi sõlme elliptilisse auku (nagu on näidatud joonisel 6).
- Märkused: 1. väljalasketoru tasane ots tuleb oma kohale kinnitada.
4. Heitgaasivooliku pikkus peab olema 280 ~ 1500 mm, see ei tohi olla moonutatud ega omada olulist pöördenurka (üle 45 °). Heitgaas peab olema takistusteta; vastasel juhul võib see põhjustada ülekuumenemist. Ärge kasutage pikendustorusid ega vahetage neid teiste voolikute vastu, kuna see võib põhjustada talitlushäireid.

SEADME KASUTAMINE

Pärast seadme vooluvõrku ühendamist mängib helisignaal sisse lülitatud muusikat, see lülitub ooterežiimi ja kuvab praeguse ümbritseva õhu temperatuuri.

1. Seadme sisse- või väljalülitamiseks vajutage nuppu (13).
2. Vajutage nuppu (12), et valida üks saadaolevatest režiimidest: COOL -> FAN -> DRY
3. Valige jahutusrežiimis temperatuur ÜLES / ALLA nuppude (11) abil temperatuur. Seda ei saa kasutada ventilaatori ja õhukuivatusrežiimis.)
4. Kasutage režiimi COOL või FAN ajal ventilaatori kiiruse seadistamiseks nuppu FAN (10): STRONG (F3), MEDIUM (F2), WEAK (F1). Kuid tuulekiiruse kasutamist piiravad külmumisvastased tingimused, teatud tingimustel ei pruugi see töötada vastavalt seadud tuulekiirusele. DRY-režiimis seatakse ventilaator automaatselt tasemele WEAK.
5. Kui seade on välja lülitatud, saab selle viivitamatult sisse lülitada, vajutades nuppu TIMER (9). Vajutage ÜLES / ALLA nuppe (11), et seadistada seadme aktiveerimise aeg, valides ajavahemikus 1-24 tundi. Kui seade on sisse lülitatud, saab selle viivitamatult välja lülitada, vajutades nuppu TIMER (9). Vajutage ÜLES / ALLA nuppe (11), et seada seadme väljalülitusaeg, valides ajavahemikus 1-24 tundi.
6. Vajutades samaaegselt nuppe ÜLES (11) ja FAN-i nuppu (10) või vajutades kaugjuhtimispuldi nuppu SLEEP (17), saab seadme puhkeolekusse lülitada. Seejärel töötab seade energiasäästurežiimis vaikselt. See funktsioon on saadaval ainult režiimis COOL, jahutusrežiimides FAN ja DRY pole saadaval.
7. Vajaliku toatemperatuuri ühikuid (°C <-> °F) saab muuta, vajutades kaugjuhtimispuldi nuppu (16) või Celsiuse (°C) vahel vahetamiseks vajutades samaaegselt mõlemat nuppu üles ja alla (11) ja alla (11) ja Fahrenheit (°F).
8. Vajutage nuppu (15) õhu võnkumise alustamiseks, rulood liiguvad vertikaalselt. Õhu võnkumise peatamiseks vajutage seda uuesti.

LAHUSJUHISED

MANUAL DRAINAGE: Kui vesi veepaagis ületab hoiatustaset, kostab seade automaatselt alarmi ja LCD-ekraanil (14) kuvatakse "FL". Samuti süttib TÄIELIK vee kontrolllamp (18). Seejärel lülitage seade välja ja eemaldage pistik pistikupesast. Liigutage seadet ettevaatlikult, et vesi ei satuks korpuse põhjasa olevasse veekannusse. Seejärel pange mõni mahuti (komplektis mitte sisalduv) äravooluava (8) alla, keerake see lahti ja eemaldage ava sulgev kork - vaadake pilti 7. Laske vett välja voolata, kuivendamise ajal saab korpusst veidi tahapoole kallutada. . Seejärel installige see uuesti ja lülitage seade sisse.

Pidev tühjendamise: režiimis Jahutamine ja KUIVAMINE saate toru (komplektis mitte sisalduva) ühendada pideva äravooluga - pilt 9. Selleks keerake lahti ja eemaldage kork, mis sulgeb pideva vee äravoolu ava (7). Seejärel seadke dreanaazivoolik (komplektis mitte sisalduv) vee väljalaskevasse ja pange teine ots mahutavasse anumasse.

Kaitseseadmed

1. Külmakaitsefunktsioon: jahutus-, niiskuse- või ökonoomse energiasäästu režiimis, kui väljalasketoru temperatuur on liiga madal, siseneb masin automaatselt kaitse olekusse; kui väljalasketoru temperatuur tõuseb teatud temperatuurini, võib see automaatselt normaliseeruda.

2. Ülevoolu kaitsefunktsioon: lugege peatükki LÕHKAMISJUHISED. Pärast vee tühjendamist naaseb masin automaatselt algseesse olekusse.
3. Automaatne sulatamine: seadmel on automaatne sulatamine: sulatamise ajal vilgub ekraanil kuumutussümbol.
4. Kompresori kaitsefunktsioon: kompresori kasutusea pikendamiseks on pärast kompresori väljalülitamist 3-minutise viivitusega käivituskaitsefunktsioon.

PUHASTAMINE JA HOOLDUS

Puhastamine: enne puhastamist ja hooldust lülitage seade välja ja eemaldage pistik pistikupesast.

1) Korpuse puhastamine

Puhastage seadme pinda märja pehme lapiga. Ärge kasutage kemikaale, näiteks benseeni, alkoholi, bensiooni, vastasel juhul kahjustatakse seadme pinda või isegi kogu masinat.

2) Võrgufiltrite puhastamine

Kui filter on tolmuga ummistunud, väheneb seadme efektiivsus. Puhastage kindlasti filtrit iga kahe nädala tagant. Pärast nende eemaldamist seadme tagaküljelt puhastage ülemised ja alumised filtriraamid - pilt 8.

* Filtri ülaosa raam: pange käed kinni filtri ekraaniraami kiiluplokkile. Filtri ekraaniraami eemaldamiseks suruge väljastpoolt alla. Kruvige filterkruvi ja tagumise korpuse kinnitamiseks neli kruvi lahti (nagu näidatud joonisel 8).

* Filtri alumine raam: hoidke filtri ekraaniraami käepidet ja eemaldage see ettevaatlikult väljapoole.

* Pange mõlemad filtriseinad neutraalse puhastusvahendiga (umbes 40 °C / 104 °F) sooja vette ja kuivatage pärast puhta loputamist varjus.

LADUSTAMINE

Kui seadet ei kasutata pikka aega, toimige järgmiselt:

1. Tõmmake vee väljavoolu jaoks äravoolukork (8).
2. Seadme sisemuse kuivamiseks laske seadmel 2 tundi töötada ventilaatori režiimis.
3. Lülitage seade välja ja tõmmake pistik välja.
4. Puhastage ja kuivatage filtrid ning installige need uuesti.
5. Ohutuks hoidmiseks tõmmake väljalasketoru välja.
6. Pange masin kilekotti ja asetage see kuiva kohta.
7. Eemaldage kaugjuhtimispuldi patareid ja hoidke neid korralikult.

Veaotsing

I probleem: kliimaseade ei tööta.

Põhjus 1: elektrit pole. Niisiis, lülitage see sisse pärast elektri pistikupesasa ühendamist.

Põhjus 2: täieliku veega märgutuli näitab "FL". Niisiis, tühjendage vesi.

Põhjus 3: jahutusrežiimis on ruumitemperatuur seadud temperatuurist madalam. Niisiis, muutke temperatuuri taset.

Põhjus 4: õhukuivatusrežiimis on ümbritseva õhu temperatuur madal. Pange tähele, et seade asetatakse ruumi, mille keskkonna temperatuur on üle 17 °C (62 °F).

Põhjus 5: ümbritseva õhu temperatuur on liiga madal või liiga kõrge. Seadme kavandatud töötemperatuur on 7–35 °C (44–95 °F).

II probleem: jahutav efekt pole hea.

Põhjus 1: otsene päikesevalgus. Niisiis, tõmmake kardinaid.

Põhjus 2: ukсед ja aknad on avatud, ruumis on palju soojustallikaid. Niisiis, sulgege uks ja aknad, viige soojustallikad välja.

Põhjus 3: filtrid on liiga määrdunud. Niisiis, puhastage või vahetage filtrid.

Põhjus 4: õhu sisse- või väljalaskeava on blokeeritud. Niisiis, eemaldage ummistus.

III probleem: suur müra

Põhjus: seadet ei asetata tasasele pinnale. Niisiis, pange seade müra vähendamiseks tasasele ja kõvale kohale.

IV probleem: Kompresor ei tööta.

Põhjus: kompresori viivituskaitse lülitatakse sisse. Nii et oodake 3 minutit, kuni temperatuur on alanenud, ja taaskäivitage masin.

V probleem: Kaugjuhtimispult ei tööta.

Põhjus 1: masina ja kaugjuhtimispuldi vaheline kaugus on liiga suur. Seega laske kaugjuhtimispuldil kliimaseade lähedale ja veenduge, et kaugjuhtimispult oleks otse kaugjuhtimispuldi vastuvõtja suunaga.

Põhjus 2: kaugjuhtimispult ei ole kaugjuhtimispuldi vastuvõtja suunaga joondatud. Seega laske kaugjuhtimispuldil kliimaseade lähedale ja veenduge, et kaugjuhtimispult oleks otse kaugjuhtimispuldi vastuvõtja suunaga.

Põhjus 3: akud on surnud. Niisiis, vahetage patareid.

V probleem: ekraanil kuvatakse "E1".

Põhjus: toru temperatuuriandur on ebanormaalne. Seega pöörduge abi saamiseks professionaalse teeninduse poole.

VI probleem: ekraanil kuvatakse "E2".

Põhjus: toatemperatuuri andur on ebanormaalne. Seega pöörduge abi saamiseks professionaalse teeninduse poole.

Märkus. Ebanormaalsete olukordade ilmnemisel lülitage masin välja ja tõmmake pistik välja, seejärel pöörduge abi saamiseks professionaalse teeninduse poole.

Ärge parandage seadet ise. Mittekvalifitseeritud remont tühistab garantii.

TEHNILISEAD ANDMED:

Jahutusvõimsus BTU juures: 12000 BTU / tund

Jahutusvõimsus vattides: 3520 W

Energiatarve (jahutamise) vattides: 1350 W

Õhuvool: 400 m³ / tunnis

Kuivamisvõimsus: 28 liitrit / 24 tundi

Energiaklass: A

Taimer: 1-24 tundi

Jahutusaine: R290, 230 grammi

Müratase: <65 dB

Pinge: 220-240 V ~ 50 Hz



Ettevaatust, tuleoht.

MITTE läbistada ega põletada.

Pange tähele, et külmutusagens ei pruugi lõhna sisaldada.



Hoolitse keskkonnakaitse eest..

Kartongist pakendid vii makulatuuri. Kilekotid (PE) viska kasutatud plastiku jaoks ettenähtud mahutitesse. Kasutatud seadmed vii selleks ettenähtud kogumispunktidesse, sest seadmes leiduvad ohtlikud elemendid võivad olla kahjulikud keskkonnale. Elektriseadmed tuleb anda nii ära, et seadet ei saaks enam uuesti kasutada. Kui seadmes on patareid, tuleb need välja võtta ja anda eraldi kogumispunkti. Seadet ei tohi visata olmejäätmete konteineritesse!!

ROMÂNĂ

CONDIȚII GENERALE DE SIGURANȚĂ

INSTRUCȚIUNI DE SIGURANȚĂ IMPORTANTE CITIȚI ÎNCETARE ȘI SALVAȚI PENTRU VIITOR

1. Înainte de a utiliza dispozitivul, citiți manualul de operare și urmați instrucțiunile conținute de acesta. Producătorul nu este responsabil pentru daunele cauzate de utilizarea dispozitivului contrar scopului intenționat sau a funcționării necorespunzătoare a acestuia.
2. Aparatul este numai pentru uz casnic. Nu folosiți în alte scopuri care nu sunt destinate scopului său.
3. Dispozitivul trebuie conectat numai la o priză de curent alternativ cu o masă de pământ 220 240V ~ 50Hz. Pentru a spori siguranța operațională, mai multe dispozitive electrice nu ar trebui conectate la un circuit de curent în același timp.
4. Aveți precauție extremă atunci când utilizați dispozitivul când copiii sunt în apropiere. Nu permiteți copiilor să se joace cu dispozitivul, nu lăsați copiii sau persoanele necunoscute de dispozitiv să-l folosească.
5. AVERTIZARE: Acest echipament poate fi utilizat de copii peste 8 ani și de persoane cu capacitate fizică, senzorială sau mentală limitată sau de persoane care nu au experiență sau cunoștințe despre echipament, dacă acest lucru este realizat sub supravegherea unei persoane responsabile pentru siguranța lor sau le-a fost oferită informații despre utilizarea în siguranță a dispozitivului și sunt conștienți de pericolele folosirii acestuia. Copiii nu ar trebui să se joace cu echipamentul. Curățarea și întreținerea dispozitivului nu trebuie să fie efectuată de către copii, cu excepția cazului în care au peste 8 ani și aceste activități sunt desfășurate sub supraveghere.
6. Deconectați întotdeauna mufa de alimentare ținând priza cu mâna după utilizare. NU trageți cablul de alimentare.
7. Nu scufundați cablul, mufa și întregul dispozitiv în apă sau în orice alt lichid. Nu expuneți dispozitivul la condiții atmosferice (ploaie, soare etc.) și nu folosiți în condiții de umiditate ridicată (băi, case mobile umede).
8. Verificați periodic starea cablului de alimentare. În cazul în care cablul de alimentare este

deteriorat, acesta trebuie înlocuit de un atelier de reparații de specialitate pentru a evita pericolul.

9. Nu folosiți aparatul cu un cablu de alimentare deteriorat sau dacă a fost aruncat sau deteriorat în alt mod sau dacă nu funcționează corect. Nu reparați singur dispozitivul, deoarece există riscul de electrocutare. Duceți dispozitivul deteriorat la un centru de service adecvat pentru verificare sau reparare. Toate reparațiile pot fi efectuate numai de către punctele de service autorizate. Reparațiile efectuate incorect pot cauza pericol grav pentru utilizator.

10. Așezați dispozitivul pe o suprafață rece, stabilă, departe de aparatele de bucătărie calde, cum ar fi: aragaz electric, arzător de gaz etc.

11. Asigurați-vă că nimic nu blochează intrarea și ieșirea aerului dispozitivului

12. Folosiți dispozitivul numai pe o suprafață plană pentru a preveni scurgerea condensului

13. Pentru a oferi o protecție suplimentară, este recomandabil să instalați un dispozitiv de curent rezidual (RCD) în circuitul electric cu un curent rezidual nominal care să nu depășească 30mA. Întrebați un electrician pentru asta.

14. Curățați regulat filtrul de aer. Frecvența curățării depinde de curățenia aerului.

15. După ce opriți mașina, așteptați cel puțin 5 minute înainte de a o porni din nou.

16. Nu folosiți dispozitivul în locuri însorite. Când dispozitivul se supraîncălzește, protecția de supraîncălzire va porni dispozitivul.

17. Pentru a asigura o răcire eficientă, trebuie să existe o distanță de cel puțin 50 cm între pereții laterali ai dispozitivului și peretele sau mobilierul sau perdelele.

18. Datorită performanței limitate a dispozitivului, dacă diferența dintre temperatura țintă și temperatura ambiantă este prea mare, este posibil ca temperatura țintă să nu fie atinsă.

19. Pentru a reduce riscul de incendiu, electrocutare sau vătămare la utilizarea aparatului de aer condiționat, respectați următoarele precauții de bază:

a) Conectați-vă la o priză împământată cu 3 pini.

b) Nu îndepărtați prona de împământare.

c) Nu folosiți adaptorul.

d) Nu folosiți un prelungitor.

e) Deconectați aparatul de aer condiționat înainte de întreținere.

f) Folosiți două sau mai multe persoane pentru a muta și instala aerul conditionat.

20. Nu folosiți agenți care accelerează procesul de decongelare sau curățare, altele decât cele recomandate de producător.

21. Dispozitivul trebuie depozitat într-o cameră fără surse de aprindere constantă, de exemplu: foc deschis, aparate cu gaz sau încălzitoare electrice.

DESCRIEREA APARATULUI

1. Panoul de control

2. Ventilare reglabilă

3. Carcasa filtrului de aer

4. Intrare de aer

5. Locați pentru dop
6. Montajul conductelor de evacuare
7. Gură de scurgere pentru descărcare continuă de apă
8. Gură de scurgere pentru evacuarea completă a apei din dispozitiv
9. Buton TIMER
10. Buton FAN
11. Buton de temperatură și timp UP / DOWN
12. Butonul de alegere MODE
13. Buton POWER
14. Ecran LCD
15. Buton de oscilație verticală
16. Buton pentru schimbarea unității de temperatură
17. Buton modul SLEEP
18. Lampa de control a rezervorului de apă complet „FL”
19. Țeava de evacuare
20. Ansamblul plăcii de etanșare a geamurilor
21. Șurub de reținere
22. Bloc de mers pentru filtrul superior
23. Bloc de mers pentru filtru inferior

ASAMBLARE

Înainte de prima utilizare, asamblați dispozitivul după cum urmează:

1. Dispozitivul trebuie așezat pe o suprafață plană. Distanța la perete sau alte obiecte trebuie să fie de cel puțin 50 cm pentru a nu limita fluxul de aer - uitați-vă la imaginea 6. Nu instalați și nu folosiți dispozitivul în baie sau în alte medii umede.
2. Instalați ansamblul plăcii de etanșare a ferestrei (20):
 - a) Deschideți jumătatea ferestrei și montați ansamblul plăcii de etanșare a ferestrei (20) pe fereastră (așa cum se arată în imaginea 5); ansamblul (20) poate fi așezat în direcție orizontală și verticală.
 - b) Trageți diferite componente ale ansamblului plăcii de etanșare a ferestrei, reglați distanța de deschidere pentru a aduce ambele capete ale ansamblului în contact cu cadrul ferestrei și fixați componentele ansamblului.
3. Alungiți țeava de evacuare (19) și fixați capătul plat al îmbinării conductei de căldură în orificiul eliptic al ansamblului plăcii de etanșare a ferestrei (așa cum se arată în imaginea 6).

Observații: 1. capătul plat al îmbinării conductelor de eșapament trebuie fixat în loc.
- (4) Lungimea furtunului de evacuare trebuie să fie de 280 ~ 1.500 mm, nu poate fi distorsionată și nu are o cotitură substanțială (mai mare de 45 °). Evacuarea trebuie să fie neobstrucționată; altfel poate provoca supraîncălzire. Nu folosiți tuburi de extensie sau înlocuiți-le cu alte furtunuri diferite, sau acest lucru poate provoca o defecțiune.

FUNCȚIONAREA DISPOZITIVULUI

După conectarea dispozitivului la rețea, soneria va reda muzică pornită, va intra în modul standby și va afișa temperatura ambientală actuală.

1. Pentru a porni sau a opri dispozitivul, apăsați butonul (13).
2. Apăsați butonul (12) pentru a selecta unul dintre modulele disponibile: COOL -> FAN -> DRY
3. În modul COOL, setați temperatura folosind butoanele SUS / JOS (11). Nu este disponibil în modul ventilator și dehumidificare.)
4. În timpul modulelor COOL sau FAN, folosiți butonul FAN (10) pentru a seta viteza ventilatorului: STRONG (F3), MEDIUM (F2), WEAK (F1). Dar funcționarea vitezei vântului este limitată de condițiile anti-frig, în anumite condiții, este posibil să nu funcționeze în funcție de viteza setată a vântului. În modul DRY, ventilatorul este setat automat la nivel WEAK.
5. Când dispozitivul este oprit, acesta poate fi pornit cu întârziere apăsând butonul TIMER (9). Apăsați butoanele SUS / JOS (11) pentru a seta ora activării dispozitivului prin selectarea timpului în intervalul 1-24 ore. Când dispozitivul este pornit, acesta poate fi oprit cu întârziere apăsând butonul TIMER (9). Apăsați butoanele SUS / JOS (11) pentru a seta ora de oprire a dispozitivului selectând timpul în intervalul 1-24 ore.
6. Prin apăsarea simultană a butoanelor UP (11) și a butonului FAN (10) sau prin apăsarea butonului SLEEP (17) de pe telecomandă, dispozitivul poate fi comutat în modul de repaus. Aparatul va funcționa liniștit în modul de economisire a energiei. Această funcție este disponibilă numai în modul COOL, nu este disponibilă în modulele FAN și DRY.
7. Unitățile (<->) ale temperaturii camerei necesare pot fi schimbate apăsând butonul (16) de pe telecomandă sau apăsând simultan ambele butoane (11) și tasta jos (11) pentru a comuta între Celsius () și Fahrenheit ().
8. Apăsați butonul (15) pentru a începe oscilația aerului, jaluzelele se vor deplasa vertical. Apăsați-l din nou pentru a opri oscilația aerului.

INSTRUCȚIUNI DE DRAINAGE

DRAINAGE MANUAL: Când apa din tigaia de apă depășește nivelul de avertizare, dispozitivul va emite automat o alarmă, iar pe ecranul LCD (14) va apărea „FL”. De asemenea, lampa de control a apei (18) se va aprinde. Apoi opriți dispozitivul și scoateți fișa din priză. Mișcați dispozitivul cu atenție, pentru a nu vărsați apa în tigaia de apă din partea de jos a carcsei. Apoi puneți un recipient (nu este inclus în set) sub orificiul de scurgere (8), deșurubați-l și îndepărtați capacul care închide deschiderea - priviți imaginea 7. Lăsați apa să se scurgă, în timpul drenării, carcasa poate fi înclinată ușor înapoi. Apoi instalați-l din nou și porniți dispozitivul.

DRAINAGE CONTINU: În modul COOL și DRY, puteți conecta conducta (nu este inclusă în set) la drenarea constantă - imaginea 9. Pentru

a face acest lucru, deșurubați și îndepărtați capacul închizând deschiderea scurgerii continue a apei (7). Apoi, puneți furcunul de scurgere (nu este inclus în set) în evacuarea apei și puneți celălalt capăt într-un vas capabil.

DISPOZITIVE DE PROTECȚIE

1. Funcție de protecție împotriva înghețului: în modul de răcire, deumidificare sau economie de energie economică, dacă temperatura conductei de eșapament este prea mică, mașina va intra automat în starea de protecție; dacă temperatura conductei de eșapament crește la o anumită temperatură, aceasta poate reveni automat la funcționarea normală.
2. Funcția de protecție a revarsării: citiți capitolul INSTRUCȚIUNI DE DRAINAGE După golirea apei, mașina va reveni automat la starea inițială.
3. Decongelare automată: dispozitivul are funcția de decongelare automată: în timpul decongelării, simbolul de încălzire de pe ecranul afișat va clipi.
4. Funcția de protecție a compresorului: pentru creșterea duratei de funcționare a compresorului, acesta are o funcție de protecție de pornire cu 3 minute după întoarcerea compresorului.

CURĂȚARE & ÎNTREȚINERE

Curățare: înainte de curățare și întreținere, opriți dispozitivul și deconectați fișa.

1) Curățarea locuințelor

Curățați cu suprafața dispozitivului cu o cârpă moale umedă. Nu folosiți substanțe chimice, cum ar fi benzenul, alcoolul, benzina, în caz contrar, suprafața dispozitivului va fi deteriorată sau chiar întreaga mașină va fi deteriorată.

2) Curățarea filtrelor nete

Dacă filtrul este înfundat cu praf, atunci eficiența dispozitivului este redusă, asigurați-vă că curățați filtrul o dată la două săptămâni. Curățați cadrele filtrelor superioare și inferioare după ce le îndepărtați de pe partea din spate a dispozitivului - poza 8.

* Cadrul superior al ecranului filtrului: închideți cu mâinile blocul de fixare al cadrului ecranului filtrului. Forțați în jos din exterior pentru a îndepărta cadrul ecranului filtrului. Deșurubați patru șuruburi care fixează ecranul filtrului și carcasa din spate pentru a îndepărta ecranul filtrului (așa cum se arată în imaginea 8).

* Cadrul inferior al ecranului filtrului: țineți mânerul cadrului ecranului filtrului și trageți-l ușor spre exterior pentru al scoate.

* Puneți ambele ecrane filtrante în apă caldă cu detergent neutru (aproximativ 40 °C / 104 °F) și uscați-le la umbră după clătirea curată.

DEPOZITARE

Dacă dispozitivul va fi neutilizat timp îndelungat, vă rugăm să faceți următoarele:

1. Scoateți dopul de scurgere (8) pentru a scurge apa.
2. Lăsați dispozitivul să funcționeze în modul ventilator timp de 2 ore pentru a usca interiorul dispozitivului.
3. Opriti dispozitivul și scoateți mufa.
4. Curățați și uscați filtrele, apoi reinstalați-le.
5. Scoateți conducta de evacuare pentru a fi păstrată în siguranță.
6. Introduceți mașina într-o pungă de plastic și așezați-o pe un loc uscat.
7. Scoateți bateriile telecomenzii și păstrați-le corect.

DEPANARE

Problema I: Aerul condiționat nu funcționează.

Motivul 1: Nu există energie electrică. Așadar, porniți-l după conectarea la o priză cu electricitate.

Motivul 2: Lampa de control complet cu apă afișează „FL”. Deci, descărcați apa.

Motivul 3: În modul de răcire, temperatura camerei este mai mică decât temperatura setată. Deci, schimbați nivelul temperatură.

Motivul 4: În modul de deumidificare, temperatura mediului este scăzută. Vă rugăm să rețineți că dispozitivul este plasat într-o cameră cu o temperatură ambientală mai mare de 17 °C (62 °F).

Motivul 5: Temperatura ambientală este prea mică sau prea mare. Temperatura de funcționare prevăzută a dispozitivului este de 7-35 °C (44-95 °F).

Problema II: Efectul de răcire nu este bun.

Motivul 1: lumina directă a soarelui. Deci, a tras perdelele.

Motivul 2: Ușa și ferestrele sunt deschise, multe surse de căldură în cameră. Așadar, închideți ușa și ferestrele, extrageți sursele de căldură.

Motivul 3: Filtrele sunt prea murdare. Deci, curățați sau înlocuiți filtrele.

Motivul 4: Intrarea aerului sau ieșirea aerului este blocată. Deci, eliminați blocarea.

Problema III: Zgomot mare

Motiv: dispozitivul nu este plasat pe o suprafață plană. Așadar, puneți dispozitivul pe un loc plat și greu pentru a reduce zgomotul.

Problema IV: Compresorul nu funcționează.

Motiv: Protecția cu întârziere în timp a compresorului este activată. Deci, așteptați 3 minute până când temperatura este scăzută, apoi reporniți mașina.

Problema V.: Telecomanda nu funcționează.

Motivul 1: Distanța dintre mașină și telecomandă este prea departe. Așadar, lăsați telecomanda să se apropie de aerul condiționat și asigurați-vă că telecomanda este orientată direct către direcția receptorului telecomenzii.

Motivul 2: Telecomanda nu este aliniată cu direcția receptorului telecomenzii. Așadar, lăsați telecomanda să se apropie de aerul condiționat și asigurați-vă că telecomanda este orientată direct către direcția receptorului telecomenzii.

Motivul 3: Bateriile sunt moarte. Deci, înlocuiți bateriile.

Problema V.: Afișajul arată: „E1”.

Motiv: Senzorul de temperatură al conductei este anormal. Deci, contactați serviciul profesional pentru ajutor.

Problema VI.: Afișajul arată: „E2”.

Motiv: Senzorul de temperatură a camerei este anormal. Deci, contactați serviciul profesional pentru ajutor.

Notă: atunci când au apărut situații anormale, opriți mașina și scoateți priza, apoi contactați serviciul profesional pentru ajutor.

Nu reparați singur dispozitivul. O reparație necalificată va anula garanția.

312/5000

DATE TEHNICE:

Capacitate de răcire la BTU: 12000 BTU / oră

Capacitate de răcire în wați: 3520 W

Consumul de energie (răcire) în wați: 1350 W

Debit de aer: 400 m³ / oră

Capacitate de uscare: 28 litri / 24 ore

Clasa energetică: A

Cronometru: 1-24 ore

Agent de răcire: R290, 230 grame

Nivel de zgomot: <65dB

Tensiune: 220-240 V ~ 50Hz



Atenție, risc de incendiu.

NU străpungeți și nu ardeți.

Rețineți că agentul frigorific nu poate conține miros.



Din grija pentru mediul înconjurător. Ambalajele din carton vă rugăm să le transmiteți la centrele de maculatură. Sacii din polietilenă (PE) trebuie aruncați în recipientele pentru materialele plastice. Dispozitivul uzat trebuie transmis la punctul corespunzător de depozitare, deoarece componentele periculoase care se găsesc în dispozitiv pot fi foarte periculoase pentru mediul înconjurător. Dispozitivul electric trebuie transmis în așa fel încât să se limiteze utilizarea lui repetată. Dacă în dispozitiv se găsesc baterii acestea trebuie scoase și transmise către punctul de depozitare a acestora, separat.

BOSANSKI

OPĆI UVJETI SIGURNOSTI

VAŽNE SIGURNOSNE UPUTE PROČITAJTE UPOZORENJE I UŠTEDITE BUDUĆNOST

1. Prije upotrebe uređaja, pročitajte korisnički priručnik i slijedite upute sadržane u njemu. Proizvođač ne odgovara za štetu nastalu upotrebom uređaja suprotno njegovoj predviđenoj namjeni ili nepravilnom radu.
2. Uređaj je namenjen samo za kućnu upotrebu. Ne koristite za druge svrhe koje nisu prema njegovoj predviđenoj namjeni.
3. Uređaj treba priključiti na izmjeničnu utičnicu samo uzemljenim 220 240V ~ 50Hz. Da bi se povećala operativna sigurnost, više električnih uređaja ne smije istovremeno biti povezano na jedan strujni krug.
4. Budite izuzetno oprezni kada koristite uređaj kada su djeca u blizini. Ne dozvolite djeci da se igraju s uređajem, ne dozvolite djeci ili osobama koje nisu upoznate s uređajem da ga koriste.
5. UPOZORENJE: Ovu opremu mogu koristiti djeca starija od 8 godina i osobe ograničene fizičke, senzorne ili mentalne sposobnosti, ili ljudi koji nemaju iskustva ili znanje o opremi, ako se to radi pod nadzorom odgovorne osobe radi njihove sigurnosti ili su im odobreni podaci o sigurnoj upotrebi uređaja i svjesni su opasnosti korištenja. Deca se ne smeju igrati sa opremom. Čišćenje i održavanje uređaja ne smiju obavljati djeca, osim ako su starija od 8 godina i ove aktivnosti se izvode pod nadzorom.
6. Uvek isključite utikač držeći utičnicu rukom nakon upotrebe. NE povlačite kabl za napajanje.
7. Nemojte uranjati kabl, utikač i cijeli uređaj u vodu ili bilo koju drugu tečnost. Ne izlažite uređaj atmosferskim uvjetima (kiša, sunce itd.) I ne koristite u uvjetima visoke vlažnosti

(kupaonice, vlažne mobilne kućice).

8. Povremeno provjeravajte stanje kabela za napajanje. Ako je kabl za napajanje oštećen, zamijenite ga specijalnom servisnom radionicom kako biste izbjegli opasnost.

9. Ne koristite uređaj s oštećenim kablom za napajanje ili ako je ispao ili oštećen na bilo koji drugi način ili ako ne radi ispravno. Ne popravljajte uređaj sami jer postoji opasnost od električnog udara. Oštećeni uređaj odnesite u odgovarajući servisni centar radi provjere ili popravljanja. Sve popravke smiju obavljati samo ovlašteni servisi. Nepravilno izvedeni popravci mogu predstavljati ozbiljnu opasnost za korisnika.

10. Uređaj postavite na hladnu i stabilnu površinu, dalje od vrućih kuhinjskih uređaja kao što su: električni štednjak, plinski plamenik itd.

11. Pazite da ništa ne blokira dovod i izlaz zraka na uređaju

12. Koristite uređaj samo na ravnoj površini kako biste spriječili da se kondenzacija prolje

13. Da biste osigurali dodatnu zaštitu, preporučljivo je u električni krug instalirati zaostalu struju (RCD), nazivna zaostala struja koja ne prelazi 30mA. Pitajte za to električara.

14. Redovno čistite filter za vazduh. Učestalost čišćenja ovisi o čistoći zraka.

15. Nakon isključenja uređaja pričekajte najmanje 5 minuta prije nego što ga ponovo uključite.

16. Ne koristite uređaj na sunčanim mjestima. Kad se uređaj pregrijava, na njemu će se uključiti zaštita od pregrijavanja.

17. Da bi se osiguralo efikasno hlađenje, treba ostati razmak od najmanje 50 cm između bočnih zidova uređaja i zida, namještaja ili zavjesa.

18. Zbog ograničenih performansi uređaja, ako je razlika između ciljne temperature i temperature okoline prevelika, ciljna temperatura možda neće biti dosegnuta.

19. Da biste smanjili rizik od požara, strujnog udara ili povreda prilikom upotrebe klima uređaja, pridržavajte se sledećih osnovnih mera predostrožnosti:

a) Spojite na uzemljenu utičnicu s 3 pina.

b) Ne uklanjajte uzemljenje.

c) Nemojte koristiti adapter.

d) Ne koristite produžni kabel.

e) Isključite klima uređaj prije servisiranja.

f) Koristite dvije ili više osoba za pomicanje i instaliranje klima uređaja.

20. Ne koristite sredstva koja ubrzavaju proces odmrzavanja ili čišćenja drugačija od onih koje je preporučio proizvođač.

21. Uređaj treba skladištiti u prostoriji bez stalno aktivnih izvora paljenja, na primjer: otvorene vatre, plinskih uređaja ili električnih grijača.

OPIS UREĐAJA

1. Upravljačka ploča

2. Podesivi otvor

3. Kućište filtra za vazduh

4. Dovod zraka

5. Postavite utikač

6. Priključak ispušnih cijevi

7. Drenažni otvor za kontinuirano ispuštanje vode

8. Drenažni otvor za potpuno ispuštanje vode iz uređaja

9. Taster TIMER
10. Dugme FAN
11. Gumb GORE / DOLJE temperatura i vreme
12. Taster za izbor MODE-a
13. Gumb POWER
14. LCD ekran
15. Dugme okomite oscilacije
16. Tipka za promjenu jedinice temperature
17. Dugme za način SLEEP
18. Potpuna kontrolna lampica rezervoara za vodu „FL“
19. Izduvna cev
20. Sklop ploče za brtvljenje prozora
21. Držač vijka
22. Blok za klin gornjeg filtra
23. Blok klina za donji filter

SASTAVLJANJE

Prije prve upotrebe, montirajte uređaj na sljedeći način:

1. Uređaj treba postaviti na ravnu površinu. Udaljenost od zida ili drugih predmeta mora biti najmanje 50 cm da ne biste ograničili protok zraka - pogledajte sliku 6. Ne postavljajte i ne upotrebljavajte uređaj u kupaonici ili drugim visokim vlažnim okruženjima.

2. Ugradite sklop brtve prozora (20):

a) Na pola otvorite prozor i montirajte sklop za brtvljenje prozora (20) na prozor (kao što je prikazano na slici 5); sklop (20) se može postaviti u vodoravnom i vertikalnom smjeru.

b) Otvorite razne komponente sklopa ploče za brtvljenje prozora, podesite udaljenost otvaranja kako bi oba kraja sklopa bili u kontaktu s okvirom prozora i fiksirali komponente sklopa.

3. Izdužite ispušnu cev (19) i gurnite ravni kraj spojnice toplotne cevi u eliptični otvor sklopa ploče za brtvljenje prozora (kao što je prikazano na slici 6).

Napomene: 1. ravni kraj spojeva ispušnih cijevi mora se uskočiti na svoje mjesto.

4. Duljina ispušnog crijeva mora biti 280 ~ 1.500 mm, ne može se izobličiti niti imati značajno okretanje (veće od 45 °). Ispuh mora biti neometan; u suprotnom može prouzrokovati pregrijavanje. Ne koristite produžne cijevi i ne smijete ga zamijeniti drugim različitim crijevima jer to može uzrokovati kvar.

POSLOVANJE UREĐAJA

Nakon spajanja uređaja na mrežnu mrežu, zvučni signal će puštati muziku koja uključuje energiju, preći će u stanje pripravnosti i prikazati trenutnu temperaturu okoline.

1. Da biste uključili ili isključili uređaj, pritisnite gumb (13).

2. Pritisnite tipku (12) za odabir jednog od dostupnih načina: COOL -> FAN -> DRY

3. U načinu COOL podesite temperaturu pomoću tipki GORE / DOLJE (11). Nije dostupan u režimu ventilatora i odvlaživanja.)

4. Za vrijeme rada COOL ili FAN koristite tipku FAN (10) za podešavanje brzine ventilatora: STRONG (F3), MEDIUM (F2), WEAK (F1). Ali rad brzine vjetra ograničen je uvjetima protiv hladnoće, pod određenim uvjetima se možda neće odvijati u skladu s postavljenom brzinom vjetra. U DRY modu ventilator se automatski postavlja na nivo SLABO.

5. Kada je uređaj isključen, može se uključiti sa odlaganjem pritiskom na dugme TIMER (9). Pritisnite tipke GORE / DOLJE (11) za podešavanje vremena aktiviranja uređaja odabirom vremena u rasponu od 1-24 sata. Kad je uređaj uključen, može se isključiti sa zakašnjenjem pritiskom na tipku TIMER (9). Pritisnite tipke GORE / DOLJE (11) za podešavanje vremena isključivanja uređaja odabirom vremena u rasponu od 1-24 sata.

6. Pritiskom istovremeno tipke UP (11) i tipke FAN (10) ili pritiskom tipke SLEEP (17) na daljinskom upravljaču uređaj se može prebaciti u stanje mirovanja. Uređaj će tada tiho raditi u režimu uštede energije. Ova je funkcija dostupna samo u režimu COOL, nije dostupna u FAN i DRY modovima.

7. Jedinice (°C <-> °F) potrebne sobne temperature mogu se mijenjati pritiskom na tipku (16) na daljinskom upravljaču ili istovremeno pritisnuti oba tastera gore (11) i tipku za dolje (11) za prebacivanje između Celzijusa (°C) i Fahrenheit (°F).

8. Pritisnite tipku (15) da pokrenete oscilaciju zraka, sjenila će se kretati okomito. Ponovno ga pritisnite da zaustavite oscilacija zraka.

UPUTE ZA DRŽAVE

RUČNO ODUZIMANJE: Kada voda u posudi za vodu premaši nivo upozorenja, uređaj će automatski oglasiti alarm, a na LCD ekranu (14) prikazat će se „FL“. Također će se upaliti Potpuna lampica za kontrolu vode (18). Zatim isključite uređaj i izvadite utikač iz utičnice. Pažljivo pomerite uređaj da ne bi prosuli vodu u posudu za vodu na dnu kućišta. Zatim stavite neki spremnik (nije u kompletu) ispod odvodne rupe (8), odvijte ga i uklonite poklopac koji zatvara otvor - pogledajte sliku 7. Neka voda izlije, za vrijeme odvodnje kućište se može malo nagnuti prema natrag . Zatim ga ponovo instalirajte i uključite uređaj.

Neprekidno odvodnjavanje: U režimu hlađenja i sušenja, možete spojiti cev (nije u kompletu) na konstantnu odvodnju - slika 9. Da biste to učinili, odvijte i uklonite poklopac koji zatvara otvor neprekidne odvodnje vode (7). Zatim postavite odvodno crijevo (koje nije uključeno) u izlaz za vodu i drugi kraj stavite u veliku posudu.

UREDAJI ZA ZAŠTITU

1. Funkcija zaštite od smrzavanja: u načinu hlađenja, odvlaživanja ili ekonomične uštede energije, ako je temperatura ispušne cijevi preniska, stroj će automatski ući u zaštitni status; ako temperatura ispušne cijevi poraste na određenu temperaturu, može se automatski vratiti u normalan rad.
2. Funkcija zaštite od preljeva: pročitajte poglavlje UPUTE ZA ODRŽAVANJE. Nakon ispražnjenja vode, stroj će se automatski vratiti u prvobitno stanje.
3. Automatsko odmrzavanje: uređaj ima funkciju automatskog odmrzavanja: tijekom odmrzavanja trepat će simbol grijanja na zaslonu.
4. Funkcija zaštite kompresora: kako bi se povećao radni vijek kompresora, on ima funkciju zaštite od 3 minute odgode pokretanja nakon isključivanja kompresora.

ČIŠĆENJE I ODRŽAVANJE

Čišćenje: prije čišćenja i održavanja, isključite uređaj i iskopčajte utikač.

1) Čišćenje kućišta

Očistite površinu uređaja vlažnom mekom krpom. Ne koristite hemikalije, poput benzena, alkohola, benzina, u protivnom će se površina uređaja oštetiti ili čak cijela mašina biti oštećena.

2) Čišćenje mrežnih filtera

Ako je filter začepljen prašinom, tada je učinkovitost uređaja smanjena, obavezno očistite filter jednom svake dvije sedmice. Očistite okvire gornjeg i donjeg filtra nakon što ih uklonite sa stražnje strane uređaja - slika 8.

* Gornji okvir ekranskog filtra: Zakačite blok klina okvira filtra rukama. Prisilite se izvuna da uklonite okvir ekrana filtra. Odvijte četiri vijka koji pričvršćuju zaslon filtra i stražnje kućište kako biste uklonili zaslon filtra (kao što je prikazano na slici 8).

* Donji okvir ekrana filtra: Držite držak okvira filtra i lagano ga izvucite prema van da biste ga uklonili.

* Stavite oba ekrana filtera u toplu vodu s neutralnim deterdžentom (oko 40 °C / 104 °F) i osušite ih u hladu nakon čistog ispiranja.

SKLADIŠTENJE

Ako se uređaj neće dugo koristiti, učinite sljedeće:

1. Izvucite čep za odvod (8) da biste ispustili vodu.
2. Pustite da uređaj radi pod ventilatorom 2 sata kako bi se osušio unutarnji.
3. Isključite uređaj i izvucite utikač.
4. Očistite i osušite filtere, a zatim ih ponovno instalirajte.
5. Izvucite izduvnu cev za sigurno držanje.
6. Stavite mašinu u plastičnu vrećicu i stavite na suho mesto.
7. Uklonite baterije daljinskog upravljača i pravilno ih držite.

RJEŠAVANJE RJEŠAVANJA

Problem I.: Klima ne radi.

Razlog 1: Nema struje. Dakle, uključite ga nakon što ga priključite u utičnicu sa strujom.

Razlog 2: Lampica pune vode prikazuje "FL". Dakle, ispuštite vodu.

Razlog 3: U režimu hlađenja, sobna temperatura je niža od postavljene. Dakle, promijenite razinu temperature uređ.

Razlog 4: U režimu odvlaživanja zraka temperatura okoline je niska. Imajte na umu da je uređaj smješten u prostoriji sa sobnom temperaturom većom od 17 °C (62 °F).

Razlog 5: Temperatura okoline je preniska ili previsoka. Predviđena radna temperatura uređaja je 7-35 °C (44-95 °F).

Problem II.: Učinak hlađenja nije dobar.

Razlog 1: Direktna sunčeva svjetlost. Dakle, nacrtali su zavjese.

Razlog 2: Vrata i prozori su otvoreni, mnogi izvori toplote u sobi. Dakle, zatvorite vrata i prozore, premjestite izvore toplote.

Razlog 3: Filteri su previše prljavi. Dakle, očistite ili zamijenite filtere.

Razlog 4: Ulaz zraka ili izlaz zraka je blokiran. Dakle, uklonite blokadu.

III problem: veliki šum

Razlog: Uređaj nije postavljen na ravnu površinu. Stoga uređaj postavite na ravno i tvrdo mjesto da smanjuje buku.

Problem IV.: Kompresor ne radi.

Razlog: uključuje se zaštitna od vremenskog kašnjenja kompresora. Dakle, pričekajte 3 minute dok se temperatura ne spusti, a zatim ponovno pokrenite mašinu.

Problem V.: Daljinski upravljač ne radi.

Razlog 1: Udaljenost između mašine i daljinskog upravljača je prevelika. Dakle, pustite daljinski upravljač da se približi klima uređaju i provjerite je li daljinski upravljač direktno okrenut prema smjeru prijemnika daljinskog upravljača.

Razlog 2: Daljinski upravljač nije usklađen sa smjerom prijemnika daljinskog upravljača. Dakle, pustite daljinski upravljač da se približi klima uređaju i provjerite je li daljinski upravljač direktno okrenut prema smjeru prijemnika daljinskog upravljača.

Razlog 3: Baterije su mrtve. Dakle, zamijenite baterije.

Problem V.: Na ekranu se vidi: „E1“.

Razlog: Senzor temperature cijevi je nenormalan. Dakle, obratite se stručnoj službi za pomoć.

Problem VI.: Na ekranu se vidi: "E2".

Razlog: Senzor sobne temperature je nenormalan. Dakle, obratite se stručnoj službi za pomoć.

Napomena: kada dođe do nenormalnih situacija, isključite mašinu i izvucite utikač, a potom se obratite za pomoć profesionalnom servisu.

Ne popravljajte uređaj sami. Nestručni popravak poništava garanciju.

TEHNIČKI PODACI:

Kapacitet hlađenja na BTU: 12000 BTU / sat
Kapacitet hlađenja u vatima: 3520 W
Potrošnja energije (hlađenje) u vatima: 1350 W
Protok zraka: 400 m³ / sat
Kapacitet sušenja: 28 litara / 24 sata
Energetski razred: A
Tajmer: 1-24 sata
Rashladno sredstvo: R290, 230 grama
Nivo buke: <65dB
Napon: 220-240 V ~ 50Hz



Oprez, opasnost od požara
NE bušite i ne palite.

Imajte na umu da rashladno sredstvo ne sadrži miris.



Brinuci za okoliš. Molimo Vas da kartonska pakovanja odnesete u otkup otpadnog papira. Polietilenske džakove (PE) bacajte u kontejner za plastiku. Iskorišćen uređaj treba odneti na odgovarajuću deponiju, jer opasni sastojci koji se u njemu nalaze, mogu biti opasni za okoliš. Električni uređaj treba odneti na način, koji ograničava njegovu ponovnu upotrebu i korištenje. Ako se u uređaju nalaze baterije, treba ih izvaditi i odvojeno predati na deponiju. Uređaj se ne smije bacati u kontejner za komunalni otpad!!

MAGYAR

ÁLTALÁNOS BIZTONSÁGI FELTÉTELEK

FONTOS BIZTONSÁGI UTASÍTÁSOK FIGYELMESEN OLVASSA EL ÉS TÖRVÉNYE JÖVŐBEN

1. A készülék használata előtt olvassa el a használati útmutatót, és kövesse az abban található utasításokat. A gyártó nem felel a kárért, amelyet az eszköz rendeltetésszerű használatának vagy nem megfelelő működésének okozott.
2. A készülék csak otthoni használatra készült. Ne használja más célra, amely nem a rendeltetésszerű.
3. A készüléket csak földelt 220 240 V ~ 50 Hz feszültségű hálózati aljzathoz szabad csatlakoztatni. Az üzembiztonság növelése érdekében több elektromos készüléket nem szabad egyszerre csatlakoztatni egy áramkörhöz.
4. Nagyon óvatosan járjon el az eszköz használatakor, ha a közelben vannak gyermekek. Ne engedje, hogy gyermekek játszanak az eszközzel, ne engedjék, hogy gyermekek vagy a készüléket ismeretlen emberek használják.
5. FIGYELMEZTETÉS: Ezt a készüléket 8 évesnél idősebb gyermekek és korlátozott fizikai, érzékszervi vagy mentális képességekkel rendelkező személyek, vagy azok a személyek használhatják, akiknek nincs tapasztalata vagy ismerete a berendezésről, ha ezt egy felelős személy felügyelete alatt végzik. biztonságuk érdekében, vagy információkat kaptak nekik az eszköz biztonságos használatáról, és tisztában vannak annak használatának veszélyeivel. A gyermekek nem játszhatnak a felszereléssel. Az eszköz tisztítását és karbantartását csak gyermekek végezhetik, kivéve ha 8 évesnél idősebbek, és ezeket a tevékenységeket felügyelet mellett végzik el.
6. Használat után mindig húzza ki a hálózati csatlakozót az aljzat kezével. NE húzza be a tápkábelt.
7. Ne merítse a kábelt, a dugót és az egész készüléket vízbe vagy más folyadékba. Ne tegye ki a készüléket légköri körülményeknek (eső, nap, stb.), illetve ne használja magas páratartalom esetén (fürdőszoba, nedves mobilházak).

8. Rendszeresen ellenőrizze a tápkábel állapotát. Ha a tápkábel sérült, akkor a veszély elkerülése érdekében szakszervizben kell cserélni.
9. Ne használja a készüléket sérült tápkábellel, ha leesett vagy egyéb módon megsérült, vagy nem működik megfelelően. Ne javítsa saját kezűleg a készüléket, mert fennáll az áramütés veszélye. Vigye a sérült készüléket megfelelő szervizközpontba ellenőrzés vagy javítás céljából. Minden javítást csak hivatalos szerviz végezhet. A helytelenül elvégzett javítások súlyos veszélyt jelenthetnek a felhasználó számára.
10. Helyezze a készüléket hűvös, stabil felületre, távol a forró konyhai készülékektől, például: elektromos tűzhely, gázégő stb.
11. Ellenőrizze, hogy semmi nem akadályozza-e a készülék levegő be- és kimenetet
12. A készüléket csak sík felületen használja, hogy megakadályozza a kondenzvíz kiömlését
13. A kiegészítő védelem érdekében tanácsos az áramkörbe beépíteni olyan maradékáram-eszközt (RCD), amelynek névleges maradékáram nem haladja meg a 30 mA-t. Kérdezzen egy villanyszerelőtől.
14. Rendszeresen tisztítsa meg a légszűrőt. A tisztítás gyakorisága a levegő tisztaságától függ.
15. A gép kikapcsolása után várjon legalább 5 percet, mielőtt újra bekapcsolja.
16. Ne használja a készüléket napos helyeken. Amikor a készülék túlmeleged, a túlmelegedés elleni védelem bekapcsol.
17. A hatékony hűtés érdekében legalább 50 cm távolságot kell tartani a készülék oldalfalai és a fal, a bútor vagy a függöny között.
18. Az eszköz korlátozott teljesítménye miatt, ha a célhőmérséklet és a környezeti hőmérséklet közötti különbség túl nagy, előfordulhat, hogy a célhőmérsékletet nem éri el.
19. A légkondicionáló használatakor a tűz, áramütés vagy sérülés kockázatának csökkentése érdekében tartsa be a következő alapvető óvintézkedéseket:
 - a) Csatlakoztasson egy földelt aljzathoz 3 érintkezővel.
 - b) Ne vegye le a földelő karot.
 - c) Ne használja az adaptert.
 - d) Ne használjon hosszabbítót.
 - e) Szervizelés előtt húzza ki a légkondicionálót.
 - f) Használjon két vagy több embert a légkondicionáló mozgatásához és felszereléséhez.
20. A leolvasztás vagy tisztítás felgyorsítását célzó szereket csak a gyártó által ajánlott módon használjon.
21. Az eszközt olyan helyiségben kell tárolni, ahol nem működnek állandóan működő gyújtóforrások, például: nyílt tűz, gázkészülékek vagy elektromos fűtőberendezések

KÉSZÜLÉK LEÍRÁSA

1. Vezérlőpult
2. Állítható szellőzőnyílás
3. Légszűrő ház
4. A levegő bemenete
5. Helyezze be a dugót
6. Kipufogócső szerelvény
7. Vízvezető nyílás a folyamatos vízkivezetéshez
8. Vízvezető nyílás a víz teljes kiürítéséhez az eszköztől

9. TIMER gomb
10. FAN gomb
11. FEL / LE hőmérséklet és idő gomb
12. ÜZEMMÓD választó gomb
13. POWER gomb
14. LCD kijelző
15. Független oszcilláló gomb
16. A hőmérsékleti egység megváltoztatásának gombja
17. SLEEP mód gomb
18. Teljes víztartály „FL” ellenőrző lámpa
19. Kipufogócső
20. Ablaktömítés lemez szerelése
21. Tartócsavar
22. A felső szűrő éktömbje
23. Csaptelep az alsó szűrőhöz

FELHELYEZÉSI

Az első használat előtt szerelje össze a készüléket az alábbiak szerint:

1. A készüléket sima felületre kell helyezni. A fal és más tárgyak távolsága legalább 50 cm legyen, hogy ne korlátozódjon a légáramlás - lásd a 6. ábrát. Ne telepítse és használja a készüléket a fürdőszobában vagy más magas páratartalmú környezetben.
 2. Szerelje be az ablaktömítő lemez szerelvényt (20):
 - a) Nyissa ki félig az ablakot, és szerelje fel az ablaktömítő lemezt (20) az ablakra (az 5. ábra szerint); a szerelvényt (20) vízszintes és függőleges irányban lehet elhelyezni.
 - b) Húzza ki az ablaktömítő lemez különféle alkotóelemeit, állítsa be a nyitási távolságot, hogy a szerelvény mindkét vége érintkezzen az ablakkerettel, és rögzítse a szerelvény alkatrészeit.
 3. Nyújtsa ki a kipufogócsövet (19), és csavarja be a hőcső csatlakozásainak lapos végét az ablak tömítőlemez szerelvényének ellipszis nyílásába (a 6. ábra szerint).
- Megjegyzések: 1. A kipufogócső csatlakozásainak lapos végét a helyére kell rögzíteni.
 4. A kipufogócső hosszának 280 ~ 1500 mm-nek kell lennie, nem torzulhat, és lényegesen nem fordul el (45° -nál nagyobb). A kipufogógáznak akadálytalanak kell lennie; egyébként túlmelegedést okozhat. Ne használjon hosszabbító csövet, vagy cserélje ki más tömlőkre, mert ez hibás működést okozhat.

KÉSZÜLÉK MŰKÖDÉSE

Miután csatlakoztatta a készüléket a hálózathoz, a hangjelző bekapcsolt zenét játszik le, készenléti állapotba kerül és megjeleníti a jelenlegi környezeti hőmérsékletet.

1. A készülék be- vagy kikapcsolásához nyomja meg a gombot (13).
2. Nyomja meg a gombot (12) az elérhető módok egyikének kiválasztásához: COOL -> FAN -> DRY
3. COOL módban állítsa be a hőmérsékletet a FEL / LE gombokkal (11). Ventilátoros és páratlanító módban nem érhető el.)
4. COOL vagy FAN üzemmódban használja a FAN gombot (10) a ventilátor sebességének beállításához: STRONG (F3), MEDIUM (F2), WEAK (F1). A szélesebb működését azonban a hideggéltető körülmények korlátozzák, bizonyos körülmények között előfordulhat, hogy a beállított szélesebbé szerint nem fut. DRY módban a ventilátort automatikusan a WEAK szintre állítja.
5. Amikor a készüléket kikapcsolja, késleltetéssel kapcsolhatja be az TIMER gomb (9) megnyomásával. A FEL / LE gombok (11) segítségével állítsa be az eszköz aktiválásának idejét az idő kiválasztásával 1-24 óra között. Amikor az eszköz be van kapcsolva, késleltetetten kikapcsolható a TIMER gomb megnyomásával (9). A FEL / LE gombok (11) segítségével állítsa be az eszköz kikapcsolásának idejét az idő kiválasztásával 1-24 óra között.
6. Az UP gomb (11) és a FAN gomb (10) egyidejű megnyomásával vagy a távirányítón a SLEEP (17) gomb megnyomásával az eszköz alvó üzemmódba váltható. A készülék ezután csendesen működik energiatakarékos módban. Ez a funkció csak COOL módban érhető el, FAN és DRY módban nem elérhető.
7. A kívánt szobahőmérsékleti egységek (°C <-> °F) megváltoztathatók a távirányítón lévő (16) gomb megnyomásával, vagy a Celsius (°C) közötti váltáshoz, egyszerre mindkét gomb felfelé (11) és lefelé (11) történő megnyomásával. és Fahrenheit (°F).
8. A levegő lengésének elindításához nyomja meg a gombot (15), a redőnyök függőlegesen mozognak. A levegő rezgésének megállításához nyomja meg ismét.

SZERELÉSI ÚTMUTATÓ

KÉZI VÍZÍTÉS : Amikor a víz a víztartályban meghaladja a figyelmeztetési szintet, a készülék automatikusan riasztást ad és az LCD kijelző (14) területén "FL" felirat jelenik meg. A FULL vízszabályzó lámpa (18) felgyullad. Ezután kapcsolja ki a készüléket, és húzza ki a dugaszt a konnektorból. Óvatosan mozgassa az eszközt, hogy ne kerüljön ki a víz a ház alján lévő víztartályba. Ezután helyezzen egy tartályt (nem tartozék) a lefolyó lyuk alá (8), csavarja le, és távolítsa el a nyílást lezáró kupakot - nézzen a 7. ábrába. Hagyja kifolyni a vizet, a vízvezetés során a ház kissé hátrafelé fordulhat. Ezután telepítse újra, és kapcsolja be az eszközt.

FOLYTATÓ LEVEGÉS: HŰTÉS és SZÁRÍTÁS üzemmódban a csövet (nem tartozék) a folyamatos vízvezetéshez csatlakoztathatja - 9. kép. Ehhez csavarja le és távolítsa el a kupakot, amely bezárja a folyamatos vízelvezetés nyílását (7). Ezután helyezze a vízvezető tömlőt (a készletben nem található) a vízkivezető nyílásba, és helyezze a másik végét egy tartós edénybe.

VÉDELMI ESZKÖZÖK

1. Fagyvédelmi funkció: hűtés, szárítás vagy energiatakarékos üzemmódban, ha a kipufogócső hőmérséklete túl alacsony, a gép automatikusan védelmi állapotba kerül; Ha a kipufogócső hőmérséklete egy bizonyos hőmérsékletre emelkedik, akkor automatikusan visszatér a normál működéshez.
2. Túlsordulás elleni védelem: olvassa el a SZERKEZÉS ÚTMUTATÓ fejezetet. A víz ürítése után a gép automatikusan visszatér az eredeti állapotba.
3. Automatikus leolvasztás: a készülék automatikus leolvasztási funkcióval rendelkezik: leolvasztás során a kijelzőn villogni kezd a fűtés szimbóluma.
4. A kompresszor védelmi funkciója: A kompresszor élettartamának növelése érdekében a kompresszor kikapcsolása után 3 perc késleltetéssel indul a védelem.

TISZTÍTÁS ÉS KARBANTARTÁS

Tisztítás: tisztítás és karbantartás előtt kapcsolja ki az eszközt, és húzza ki a csatlakozódugót.

1) A ház tisztítása

Tisztítsa meg a készülék felületét nedves, puha ruhával. Ne használjon vegyszereket, például benzolt, alkoholt, benzint, különben a készülék felülete megsérül, vagy akár az egész gép is megsérülhet.

2) A hálózűrők tisztítása

Ha a szűrő porral eltömődött, akkor az eszköz hatékonysága csökken, minden második héten tisztítsa meg a szűrőt. Tisztítsa meg a felső és alsó szűrőkereteket, miután eltávolította őket a készülék hátoldaláról - 8. kép.

* Felső szűrő képernyőkeret: Fogja meg kézzel a szűrő képernyő vázát. Kényszerítse le kívülről, hogy eltávolítsa a szűrőképernyőt.

Csavarja le a szűrő képernyőjét és a hátsó házat rögzítő négy csavart, hogy eltávolítsa a szűrő képernyőjét (a 8. ábra szerint).

* Alsó szűrővédő keret: Fogja meg a szűrőképernyő keret fogantyúját, és óvatosan húzza kifelé, hogy eltávolítsa.

* Helyezze mindkét szűrőt meleg vízbe, semleges mosószerrel (kb. 40 °C / 104 °F), és a tiszta öblítés után szárítsa meg őket árnyékban.

TÁROLÁS

Ha az eszközt hosszú ideig nem használja, akkor tegye a következőket:

1. Húzza ki a vízelvezető dugót (8) a víz kifolyásához.
2. Hagyja az eszközt ventilátor üzemmódban 2 órán keresztül működni, hogy kiszáradjon az eszköz belső része.
3. Kapcsolja ki a készüléket, és húzza ki a dugót.
4. Tisztítsa meg és szárítsa meg a szűrőket, majd telepítse újra.
5. A biztonságos tártás érdekében húzza ki a kipufogócsövet.
6. Helyezze a gépet műanyag zacskóba, és helyezze szárazra.
7. Vegye ki a távirányító elemeit és tartsa megfelelően.

HIBAELHÁRÍTÁS

I. probléma: A légkondicionáló nem működik.

1. ok: Nincs áram. Tehát kapcsolja be, miután csatlakoztatta egy elektromos aljzathoz.
2. ok: A víz teljes ellenőrző lámpa "FL" feliratot jelenít meg. Tehát engedje le a vizet.
3. ok: Hűtés módban a helyiség hőmérséklete alacsonyabb, mint a beállított hőmérséklet. Tehát változtassa meg a hőmérséklet szintet.
4. ok: Páramentesítés üzemmódban a környezeti hőmérséklet alacsony. Felhívjuk figyelmét, hogy az eszközt olyan helyiségben helyezik el, amelynek környezeti hőmérséklete meghaladja a 17 °C (62 °F).
5. ok: A környezeti hőmérséklet túl alacsony vagy túl magas. A készülék tervezett működési hőmérséklete 7-35 °C (44-95 °F).

II. Probléma: A hűtési hatás nem jó.

1. ok: Közvetlen napfény. Tehát húzza a függönyt.
2. ok: Az ajtók és ablakok nyitva vannak, sok hőforrás van a helyiségben. Tehát csukja be az ajtókat és az ablakokat, és távolítsa el a hőforrásokat.
3. ok: A szűrők túl szennyeződtek. Tehát tisztítsa meg vagy cserélje ki a szűrőket.
4. ok: A levegő be- vagy kimenete el van zárva. Tehát távolítsa el az eltömődést.

III. Probléma: Nagy zaj

Ok: A készüléket nem sima felületre kell helyezni. Tehát helyezze a készüléket egy sima és kemény helyre a zaj csökkentése érdekében.

IV. Probléma: A kompresszor nem működik.

Ok: A kompresszor késleltetésvédelme bekapcsol. Tehát várjon 3 percig, amíg a hőmérséklet le nem csökken, majd indítsa újra a gépet.

V. probléma: A távirányító nem működik.

1. ok: A gép és a távirányító közötti távolság túl nagy. Tehát hagyja, hogy a távirányító közel álljon a légkondicionálóhoz, és ügyeljen arra, hogy a távirányító közvetlenül a távirányító vevő irányába nézzen.
2. ok: A távirányító nem igazodik a távirányító vevő irányához. Tehát hagyja, hogy a távirányító közel álljon a légkondicionálóhoz, és ügyeljen arra, hogy a távirányító közvetlenül a távirányító vevő irányába nézzen.
3. ok: Az elemek lemerültek. Tehát cserélje ki az elemeket.

V. probléma: A kijelzőn az „E1” felirat látható.

Ok: A cső hőmérséklet-érzékelője kóros. Tehát forduljon segítségért a szakszervizhez.

VI. Probléma: A kijelzőn az „E2” felirat látható.

Ok: A szobahőmérséklet-érzékelő rendellenes. Tehát forduljon segítségért a szakszervizhez.

Megjegyzés: Ha rendellenes helyzetek fordulnak elő, kapcsolja ki a gépet és húzza ki a dugaszt, majd forduljon szakemberhez.

A készüléket ne javítsa saját maga. A nem szakszerű javítás érvényteleníti a jótállást.

MŰSZAKI ADATOK:

Hűtőteltjesítmény BTU-nál: 12000 BTU / óra

Hűtési teljesítmény wattban: 3520 W

Energiafogyasztás (hűtés) wattban: 1350 W

Levegőáram: 400 m³ / óra

Szárítási kapacitás: 28 liter / 24 óra

Energiaosztály: A

Időzítő: 1-24 óra

Hűtőszer: R290, 230 gramm

Zajszint: <65dB

Feszültség: 220-240 V ~ 50Hz



Vigyázat, tűzveszély.

NE átszúrja vagy égesse.

Vegye figyelembe, hogy a hűtőközeg nem tartalmazhat szagokat.



A környezet védelme érdekében kérjük külön karton dobozok és műanyag zsákokat és dobja őket a megfelelő hulladék közé. Használt készüléket kell eljuttatni a kijelölt gyűjtőhelyekre miatt veszélyes elemek alkatrészeket, amelyek hatással lehetnek a környezetre. Ne dobja a készüléket a közös

SUOMI

YLEISET TURVALLISUUSOLOSUHTTEET

TÄRKEITÄ TURVAOHJEITA LUE HUOLELLISESTI JA SÄILYTÄ TULEVAISUUTTA

1. Lue käyttöohjeet ja noudata niiden ohjeita ennen laitteen käyttöä. Valmistaja ei ole vastuussa vahingoista, jotka aiheutuvat laitteen käyttötarkoituksen vastaisesta käytöstä tai virheellisestä käytöstä.
2. Laite on tarkoitettu vain kotikäyttöön. Älä käytä muihin tarkoituksiin, jotka eivät ole sen käyttötarkoitukseen.
3. Laite saa kytkeä vain pistorasiaan, jonka maadoitus on 220 240 V ~ 50 Hz. Käyttöturvallisuuden lisäämiseksi useita sähkölaitteita ei tule kytkeä samaan virtapiiriin.
4. Ole erityisen varovainen käyttäessäsi laitetta, kun lapset ovat lähellä. Älä anna lasten leikkiä laitteen kanssa, älä anna lasten tai muiden tuntemattomien käyttää sitä.
5. VAROITUS: Tätä laitetta voivat käyttää yli 8-vuotiaat lapset ja henkilöt, joilla on rajoitetut fyysiset, aisti- tai henkiset kyvyt tai ihmiset, joilla ei ole kokemusta tai tietoa laitteista, jos tämä tehdään vastuussa olevan henkilön valvonnassa. heidän turvallisuutensa vuoksi tai heille on annettu tietoja laitteen turvallisesta käytöstä ja he ovat tietoisia laitteen käytön vaaroista. Lasten ei tulisi leikkiä laitteilla. Laitetta ei saa puhdistaa ja huoltaa, elleivät lapset ole yli 8-vuotiaita ja nämä toimet suoritetaan valvonnassa.
6. Irrota virtajohto aina pitämällä pistorasiaa kädellä käytön jälkeen. ÄLÄ vedä virtajohtoa.
7. Älä upota kaapelia, pistoketta ja koko laitetta veteen tai muuhun nesteeseen. Älä altista laitetta ilmasto-olosuhteille (sade, aurinko jne.) Tai käytä korkean kosteuden olosuhteissa (kylpyhuoneet, kosteat asuntovaunut).
8. Tarkista säännöllisesti virtajohdon kunto. Jos virtajohto on vaurioitunut, se on vaihdettava erikoistuneeseen korjaamoon vaaran välttämiseksi.
9. Älä käytä laitetta vaurioituneen virtajohdon kanssa tai jos se on pudonnut tai vaurioitunut jollakin muulla tavalla tai jos se ei toimi oikein. Älä korjaa laitetta itse, koska siinä on sähköiskun vaara. Vie vaurioitunut laite asianmukaiseen huoltokeskukseen tarkistamista tai

korjaamista varten. Kaikki korjaukset saa suorittaa vain valtuutetut huoltoliikkeet. Väärin suoritettavat korjaukset voivat aiheuttaa vakavan vaaran käyttäjälle.

10. Sijoita laite viileälle, vakaalle alustalle, pois kuumista keittiövälineistä, kuten sähköliesi, kaasupoltin jne.

11. Varmista, että mikään ei estä laitteen ilmanottoa ja poistoa

12. Käytä laitetta vain tasaisella pinnalla estämään kondenssiveden valuminen

13. Lisäsuojauksen tarjoamiseksi on suositeltavaa asentaa sähkövirtapiiriin jäännösvirtalaite (RCD), jonka nimellisvirtavirta ei ylitä 30mA. Pyydä sitä sähköasentajalta.

14. Puhdista ilmansuodatin säännöllisesti. Puhdistuksen tiheys riippuu ilman puhtaudesta.

15. Kun olet sammuttanut koneen, odota vähintään 5 minuuttia ennen kuin kytket sen takaisin päälle.

16. Älä käytä laitetta aurinkoisissa paikoissa. Kun laite ylikuumenee, ylikuumenemissuoja kytkee laitteen päälle.

17. Tehokkaan jäähdytyksen varmistamiseksi laitteen sivuseinämiä ja seinän, huonekalujen tai verhojen välillä on pidettävä vähintään 50 cm:n etäisyys.

18. Laitteen rajallisen suorituskyvyn vuoksi, jos tavoitelämpötilan ja ympäristön lämpötilan välinen ero on liian suuri, tavoitelämpötilaa ei ehkä saavuteta.

19. Tulipalo-, sähköisku- tai loukkaantumisriskin vähentämiseksi ilmastointilaitetta käytettäessä noudata seuraavia perusvaroituksia:

a) Kytke maadoitettuun pistorasiaan 3 tapilla.

b) Älä poista maadoituskärkiä.

c) Älä käytä sovitinta.

d) Älä käytä jatkojohtoa.

e) Irrota ilmastointilaitte ennen huoltoa.

f) Siirrä ja asenna ilmastointilaitte kahdella tai useammalla henkilöllä.

20. Älä käytä muita kuin valmistajan suosittelemia aineita, jotka nopeuttavat sulatus- tai puhdistusprosessia.

21. Laitetta tulisi varastoida huoneessa, jossa ei ole jatkuvasti toimivia sytytyslähteitä, esimerkiksi: avotuli, kaasulaitteet tai sähkölämmittimet.

LAITEKuvaus

1. Ohjauspaneeli
2. Säädettävä tuuletusaukko
3. Ilmansuodattimen kotelo
4. Ilman sisääntulo
5. Aseta pistotulppa paikoilleen
6. Pakoputken asennus
7. Viemärireikä jatkuvaa vedenpoistoa varten
8. Viemärireikä veden täydelliseen tyhjentämiseen laitteesta
9. AJASTIN-painike
10. FAN-painike
11. YLÖS / ALAS lämpötila- ja aikapainikkeet
12. MODE-valintapainike
13. POWER-painike
14. LCD-näyttö
15. Pystysuuntainen värähtelypainike
16. Painike lämpötilayksikön vaihtamiseksi
17. SLEEP-tilan painike

18. Täysi vesisäiliön ohjauslamppu "FL"
19. Pakoputki
20. Ikkunan tiivistelevykokoonpano
21. Kiinnitysruuvi
22. Kiilalohko yläsuotimelle
23. Kääntölohko alemmalle suodattimelle

KOKOAMINEN

Asenna laite ennen ensimmäistä käyttöä seuraavasti:

1. Laite tulee asettaa tasaiselle alustalle. Etäisyyden seinästä tai muista esineistä on oltava vähintään 50 cm ilman virtauksen rajoittamiseksi - katso kuvaa 6. Älä asenna ja käytä laitetta kylpyhuoneeseen tai muuhun kosteaan ympäristöön.
 2. Asenna ikkunan tiivistyslevykokoonpano (20):
 - a) Avaa ikkuna puoli ja asenna ikkunan tiivistyslevykokoonpano (20) ikkunaan (kuvan 5 mukaisesti); kokoonpano (20) voidaan asettaa vaaka- ja pystysuunnassa.
 - b) Vedä ikkunan tiivistyslevyn kokoonpanon eri osat auki, säädä aukkoetäisyyttä niin, että kokoonpanon molemmat päät ovat kosketuksissa ikkunan kehyksen kanssa, ja kiinnitä kokoonpanon osat.
 3. Pidentä pakoputkea (19) ja napsauta lämpöputken liitosten litteä pää ikkunan tiivistyslevykokoonpanon elliptiseen reikään (kuten kuvassa 6).
- Huomautuksia: 1. Pakoputken liitosten litteä pää on napsautettava paikoilleen.
4. Pakoletkun pituuden on oltava 280 ~ 1 500 mm, sitä ei saa vääristää, eikä siinä ole merkittävää kääntymistä (yli 45 °). Pakokaasujen on oltava esteettömiä; muuten se voi aiheuttaa ylikuumentumisen. Älä käytä jatkoputkia tai vaihda niitä toisilla letkuilla, sillä se voi aiheuttaa toimintahäiriön.

LAITTEEN KÄYTTÖ

- Kun laite on kytketty verkkovirtaan, sumneri soittaa käynnistymusiikkia, se siirtyy valmiutilaan ja näyttää nykyisen ympäristön lämpötilan.
1. Kytke laite päälle tai pois päältä painamalla painiketta (13).
 2. Paina painiketta (12) valitaksesi yhden käytettävissä olevista tiloista: COOL -> FAN -> DRY
 3. Aseta lämpötila COOL-tilassa YLÖS / ALAS-painikkeilla (11). Sitä ei ole saatavana tuuletin- ja ilmakehävaihtilassa.)
 4. Aseta tuuletin nopeus COOL- tai FAN-tilassa FAN-painikkeella (10): VAHVA (F3), MEDIUM (F2), WEAK (F1). Mutta tuulen nopeuden käyttöä rajoittavat kylmänesto-olosuhteet, tietyissä olosuhteissa se ei välttämättä ajeta asetetun tuulen nopeuden mukaan. DRY-tilassa puhallin asetetaan automaattisesti tasolle WEAK.
 5. Kun laite sammutetaan, se voidaan kytkeä päälle viiveellä painamalla TIMER-painiketta (9). Aseta aika aktivoitavalle laitteelle painamalla YLÖS / ALAS-painikkeita (11) valitsemalla aika välillä 1-24 tuntia. Kun laite kytketään päälle, se voidaan sammuttaa viiveellä painamalla TIMER-painiketta (9). Aseta sammutettavan laitteen aika YLÖS / ALAS-painikkeilla (11) valitsemalla aika välillä 1-24 tuntia.
 6. Painamalla YLÖS-painiketta (11) ja FAN-painiketta (10) tai painamalla kaukosäätimen painiketta SLEEP (17), laite voidaan kytkeä lepotilaan. Laite toimii sitten hiljaa energiansäästötilassa. Tämä toiminto on käytettävissä vain jäähdytystilassa, ei käytettävissä FAN- ja DRY-tiloissa.
 7. Halutun huonelämpötilan yksiköitä (°C <-> °F) voidaan muuttaa painamalla kaukosäätimen painiketta (16) tai painamalla samanaikaisesti molemmat painikkeet ylös-näppäintä (11) ja alas-näppäintä (11) vaihtaaksesi Celsiusuksen (°C) välillä. ja Fahrenheit (°F).
 8. Käynnistä ilman värähtely painamalla painiketta (15), kaihtimet liikkuvat pystysuunnassa. Paina sitä uudelleen, kun haluat pysäyttää ilman värähtelyn.

VAIHTOOHJEET

MANUAL DRAINAGE: Kun vesi astiassa ylittää varoitusastan, laite antaa automaattisesti hälytyksen ja LCD-näytön (14) alueella näkyy "FL". Myös FULL-vedenohjauslamppu (18) syttyy. Sammuta sitten laite ja irrota pistoke pistorasiasta. Siirrä laitetta varovasti, jotta vesi ei vuoda vesikoteloon kotelon pohjalta. Aseta sitten jokin säiliö (ei sisälly pakkaukseen) tyhjennysreiän (8) alle, ruuvaa se irti ja poista kansi, joka sulkee aukon - katso kuva 7. Anna veden valua, tyhjennyksen aikana kotelo voidaan kallistaa hieman taaksepäin. . Asenna sitten se uudelleen ja käynnistä laite.

JATKUVA VUOTO: Jäähdytys- ja kuivatilassa voit kytkeä putken (ei sisälly sarjaan) jatkuvaan viemäriin - kuva 9. Kierrä se irti ja poista kansi, joka sulkee jatkuvan vedenpoiston aukon (7). Aseta sitten tyhjennysletku (ei sisälly pakkaukseen) veden poistoaukkoon ja aseta toinen pää tilavaan astiaan.

SUOJAUSLAITTEET

1. Jäätymissuojaustoiminto: jäähdytys-, kosteudenpoistotilassa tai energiansäästötilassa, jos pakoputken lämpötila on liian matala, kone siirtyy automaattisesti suojaustilaan; Jos pakoputken lämpötila nousee tiettyyn lämpötilaan, se voi palata automaattisesti normaaliin toimintaan.
2. Ylivuodonuojaustoiminto: lue luku VEDETUSOHJEET. Kun vesi on tyhjennetty, kone palaa automaattisesti alkuperäiseen tilaansa.
3. Automaattinen sulatus: laitteessa on automaattinen sulatus toiminto: sulatuksen aikana kuumennussymboli vilkkuu näytössä.
4. Kompressorin suojaustoiminto: Kompressorin käyttöajan pidentämiseksi siinä on 3 minuutin viive käynnistysuojaustoiminto kompressorin sammuttamisen jälkeen.

PUHDISTUS JA HUOLTO

Puhdistus: Sammuta laite ennen puhdistamista ja huoltoja ja irrota pistoke pistorasiasta.

1) Kotelon puhdistus

Puhdista laitteen pinta märällä pehmeällä liinalla. Älä käytä kemikaaleja, kuten bentseeniä, alkoholia, siiniä, muuten laitteen pinta vaurioituu tai koko kone vaurioituu.

2) Verkkosuodattimien puhdistus

Jos suodatin on tukkeutunut pölyltä, laitteen teho heikkenee. Puhdista suodatin joka toinen viikko. Puhdista ylempi ja alempi suodattimen kehykset sen jälkeen, kun ne on irrotettu laitteen takapuolelta - kuva 8.

* Yläsuodatinruudun kehys: Kiinnitä suodatinruudun kehysten lohko käsillä. Pakota alaspäin ulkopuolelta suodattimen näytön kehysten poistamiseksi. Ruuvaa neljä ruuvia suodattimen seulan ja takaosan kotelon kiinnittämiseksi suodatinsuojuksen poistamiseksi (kuvan 8 mukaisesti).

* Alasuodatinkehysten alaosa: Pidä suodattimen kehysten kahvasta ja vedä sitä varovasti ulospäin poistaaksesi sen.

* Pane molemmat suodatinseulat lämpimään veteen neutraalilla pesuaineella (noin 40 °C / 104 °F) ja kuivaa ne varjossa puhdistuksen jälkeen.

VARASTOINTI

Jos laitetta ei käytetä pitkään aikaan, toimi seuraavasti:

1. Vedä tyhjennystulppa (8) ulos veden virtaamiseksi.
2. Anna laitteen käydä tuuletintilassa 2 tunnin ajan laitteen sisäpinnan kuivumiseksi.
3. Sammuta laite ja vedä pistoke irti.
4. Puhdista ja kuivaa suodattimet ja asenna ne sitten uudelleen.
5. Vedä pakoputki turvallista pitämistä varten.
6. Laita kone muovipussiin ja aseta se kuivaan paikkaan.
7. Poista kaukosäätimen paristot ja pidä ne kunnolla.

ONGELMIEN KARTTOITTAMINEN

Ongelma I: Ilmastointilaitte ei toimi.

Syy 1: Ei ole sähköä. Joten, kytke se päälle, kun olet kytkenyt sen sähköpistorasiaan.

Syy 2: Vesisäiliön täydellinen merkkivalo näyttää "FL". Joten, tyhjennä vesi.

Syy 3: Jäähdytystilassa huoneen lämpötila on alhaisempi kuin asetettu lämpötila. Joten muuta lämpötilan tasoa.

Syy 4: Kosteudenpoistotilassa ympäristön lämpötila on alhainen. Huomaa, että laite on sijoitettu huoneeseen, jonka ympäristön lämpötila on yli 17 °C (62 °F).

Syy 5: Ympäristön lämpötila on liian matala tai liian korkea. Laitteen suunniteltu käyttölämpötila on 7-35 °C (44-95 °F).

Ongelma II: Jäähdytysvaikutus ei ole hyvä.

Syy 1: Suora auringonvalo. Joten veti verhot.

Syy 2: Ovet ja ikkunat ovat auki, huoneessa on paljon lämmönlähteitä. Joten sulje ovi ja ikkunat, siirrä lämmönlähteet pois.

Syy 3: Suodattimet ovat liian likaisia. Puhdista tai vaihda suodattimet.

Syy 4: Ilman imu tai ilman poisto on tukossa. Joten poista tukos.

Tehtävä III: Suuri melu

Syy: Laitetta ei ole asetettu tasaiselle alustalle. Joten aseta laite tasaiselle ja kovalle paikalle melun vähentämiseksi.

Ongelma IV: Kompressori ei toimi.

Syy: Kompressorin aikaviivesuojus kytkeytyy päälle. Joten odota 3 minuuttia, kunnes lämpötila laskee, ja käynnistä kone sitten uudelleen.

Ongelma V: Kaukosäädin ei toimi.

Syy 1: Etäisyys koneen ja kaukosäätimen välillä on liian pitkä. Joten anna kaukosäätimen päästä lähelle ilmastointilaitetta ja varmista, että kaukosäädin osoittaa suoraan kauko-ohjaimen vastaanottimen suuntaan.

Syy 2: Kaukosäädin ei ole kohdistettu kaukosäätimen vastaanottimen suuntaan. Joten anna kaukosäätimen päästä lähelle ilmastointilaitetta ja varmista, että kaukosäädin osoittaa suoraan kauko-ohjaimen vastaanottimen suuntaan.

Syy 3: Paristot ovat tyhjä. Joten vaihda paristot.

Tehtävä V: Näytössä näkyy: "E1".

Syy: Putken lämpötila-anturi on epänormaali. Joten ota yhteys ammattitaitoiseen palveluun.

Ongelma VI: Näytössä näkyy: "E2".

Syy: Huoneenlämpötila-anturi on epänormaali. Joten ota yhteys ammattitaitoiseen palveluun.

Huomaa: Kun tapahtuu epänormaaleja tilanteita, sammuta kone ja vedä pistoke irti, ota yhteyttä ammattitaitoiseen palveluun.

Älä korjaa laitetta itse. Korjaamaton korjaus mitätöi takuun.

TEKNISET TIEDOT:

Jäähdytysteho nopeudella BTU: 12000 BTU / tunti

Jäähdytysteho watteina: 3520 W

Energiankulutus (jäähdytys) watteina: 1350 W

Ilmavirta: 400 m3 / tunti

Kuivauskapasiteetti: 28 litraa / 24 tuntia

Energialuokka: A

Ajastin: 1-24 tuntia

Jäähdytysaine: R290, 230 grammaa





Suojellaksesi ympäristöäsi: hävitä pahvilaatikat ja muovipussit ja kierrätä ne niille tarkoitetuissa jäteastioissa. Käytetyt koneet tulee toimittaa niihin erioistuneisiin keräyspisteisiin ympäristölle vaarallisten aineiden takia. Älä hävitä laitteita sekajätteessä.

РУССКИЙ

ОБЩИЕ УСЛОВИЯ БЕЗОПАСНОСТИ ВАЖНЫЕ ИНСТРУКЦИИ ПО БЕЗОПАСНОСТИ ВНИМАТЕЛЬНО ПРОЧТИТЕ И СОХРАНИТЕ НА БУДУЩЕЕ

1. Перед использованием устройства прочитайте инструкцию по эксплуатации и следуйте инструкциям, содержащимся в нем. Производитель не несет ответственности за ущерб, вызванный использованием устройства вопреки его назначению или неправильной эксплуатации.
2. Устройство предназначено только для домашнего использования. Не используйте для других целей, которые не по назначению.
3. Устройство должно быть подключено только к розетке переменного тока с заземлением 220 240 В ~ 50 Гц. Для повышения эксплуатационной безопасности, несколько электрических устройств не должны быть подключены к одной цепи тока одновременно.
4. Будьте предельно осторожны при использовании устройства, когда рядом находятся дети. Не позволяйте детям играть с устройством, не позволяйте детям или людям, незнакомым с устройством, использовать его.
5. ПРЕДУПРЕЖДЕНИЕ. Данное оборудование могут использовать дети старше 8 лет и люди с ограниченными физическими, сенсорными или умственными способностями или люди, которые не имеют опыта или знаний об оборудовании, если это делается под наблюдением ответственного лица. Для их безопасности или были предоставлены им информацию о безопасном использовании устройства и знают об опасностях его использования. Дети не должны играть с оборудованием. Чистка и техническое обслуживание устройства не должны выполняться детьми, за исключением случаев, когда им исполнилось 8 лет, и эти действия выполняются под наблюдением.
6. Всегда отсоединяйте штепсельную вилку, придерживая розетку рукой после использования. НЕ тяните за шнур питания.
7. Не погружайте кабель, вилку и все устройство в воду или любую другую жидкость. Не подвергайте устройство воздействию атмосферных условий (дождь, солнце и т. Д.) И не используйте его в условиях повышенной влажности (ванные комнаты, влажные дома на колесах).
8. Периодически проверяйте состояние шнура питания. Если шнур питания поврежден, его следует заменить в специализированной ремонтной мастерской, чтобы избежать опасности.
9. Не используйте прибор с поврежденным шнуром питания, если он упал или поврежден каким-либо иным образом или он не работает должным образом. Не ремонтируйте устройство самостоятельно, так как существует риск поражения

- электрическим током. Доставьте поврежденное устройство в соответствующий сервисный центр для проверки или ремонта. Все ремонтные работы могут выполняться только авторизованными сервисными центрами. Неправильно выполненный ремонт может представлять серьезную опасность для пользователя.
10. Поместите устройство на прохладную, устойчивую поверхность, вдали от горячих кухонных приборов, таких как: электрическая плита, газовая горелка и т. Д.
 11. Убедитесь, что ничто не блокирует вход и выход воздуха устройства
 12. Используйте устройство только на ровной поверхности, чтобы предотвратить выпадение конденсата.
 13. Для обеспечения дополнительной защиты рекомендуется установить устройство защитного отключения (УЗО) в электрической цепи с номинальным током не более 30 мА. Спросите электрика для этого.
 14. Регулярно очищайте воздушный фильтр. Частота очистки зависит от чистоты воздуха.
 15. После выключения машины подождите не менее 5 минут, прежде чем снова включить его.
 16. Не используйте устройство в солнечных местах. Когда устройство перегревается, защита от перегрева включает устройство.
 17. Чтобы обеспечить эффективное охлаждение, расстояние между боковыми стенками устройства и стеной, мебелью или шторами должно быть не менее 50 см.
 18. Из-за ограниченной производительности устройства, если разница между целевой температурой и температурой окружающей среды слишком велика, заданная температура может быть не достигнута.
 19. Чтобы снизить риск возгорания, поражения электрическим током или травмы при использовании кондиционера, соблюдайте следующие основные меры предосторожности:
 - а) Подключите к заземленной розетке с 3 контактами.
 - б) Не удаляйте заземляющий контакт.
 - в) Не используйте адаптер.
 - г) Не используйте удлинитель.
 - е) Отключите кондиционер перед обслуживанием.
 - ф) Для перемещения и установки кондиционера используйте двух или более человек.
 20. Не используйте средства, ускоряющие процесс размораживания или очистки, кроме тех, которые рекомендованы производителем.
 21. Устройство следует хранить в помещении без постоянно работающих источников возгорания, например: открытого огня, газовых приборов или электрических обогревателей.

ОПИСАНИЕ УСТРОЙСТВА

1. Панель управления
2. Регулируемый клапан
3. Корпус воздушного фильтра
4. Воздухозаборник
5. Место для вилки

6. Фитинг выхлопной трубы
7. Дренажное отверстие для непрерывного слива воды
8. Дренажное отверстие для полного слива воды из устройства
9. Кнопка ТАЙМЕР
10. Кнопка ВЕНТИЛЯТОР
11. ВВЕРХ / ВНИЗ кнопка температуры и времени
12. Кнопка выбора режима
13. кнопка питания
14. ЖК-дисплей
15. Кнопка вертикального колебания
16. Кнопка изменения температуры
17. Кнопка режима SLEEP
18. Контрольная лампа полного бака для воды «FL»
19. Выхлопная труба
20. Узел уплотнительной пластины окна
21. Стопорный винт
22. Клин для верхнего фильтра
23. Клин для нижнего фильтра

СБОРКА

Перед первым использованием соберите устройство, как показано ниже:

1. Устройство следует размещать на плоской поверхности. Расстояние до стены или других предметов должно быть не менее 50 см, чтобы не ограничивать поток воздуха - см. Рисунок 6. Не устанавливайте и не используйте устройство в ванной комнате или в других местах с высокой влажностью.

2. Установите узел уплотнительной пластины окна (20):

а) Половно откройте окно и установите узел уплотнительной пластины окна (20) к окну (как показано на рисунке 5); сборка (20) может быть размещена в горизонтальном и вертикальном направлении.

б) Вытяните различные компоненты узла уплотнительной пластины окна, отрегулируйте расстояние открытия, чтобы оба конца узла соприкасались с оконной рамой, и закрепите компоненты узла.

3. Удлините выхлопную трубу (19) и вставьте плоский конец соединений тепловых труб в эллиптическое отверстие узла уплотнительной пластины окна (как показано на рисунке 6).

Примечания: 1. Плоский конец соединений выхлопной трубы должен быть зафиксирован на месте.

4. Длина вытяжного шланга должна составлять 280 ~ 1500 мм, он не может быть искажен и не имеет значительного поворота (более 45 °). Выхлоп должен быть беспрепятственным; в противном случае это может привести к перегреву. Не используйте удлинительные трубки и не заменяйте их другими шлангами, так как это может привести к неисправности.

РАБОТА УСТРОЙСТВА

После подключения устройства к электросети зуммер начнет воспроизводить музыку при включении питания, перейдет в режим ожидания и отобразит текущую температуру окружающей среды.

1. Чтобы включить или выключить устройство, нажмите кнопку (13).

2. Нажмите кнопку (12), чтобы выбрать один из доступных режимов: ОХЛАЖДЕНИЕ -> ВЕНТИЛЯТОР -> СУХОЙ

3. В режиме COOL установите температуру с помощью кнопок UP / DOWN (11). Он не доступен в режиме вентилятора и осушения.)

4. В режимах COOL или FAN используйте кнопку FAN (10) для установки скорости вентилятора: STRONG (F3), MEDIUM (F2), WEAK (F1). Но работа скорости ветра ограничена антиобледенительными условиями, при определенных условиях она может не работать в соответствии с установленной скоростью ветра. В режиме СУХОЙ вентилятор автоматически устанавливается на уровень СЛАБЫЙ.

5. Когда устройство выключено, его можно включить с задержкой, нажав кнопку TIMER (9). Нажмите кнопки ВВЕРХ / ВНИЗ (11), чтобы установить время активации устройства, выбрав время в диапазоне 1-24 часа. Когда устройство включено, его можно отключить с задержкой, нажав кнопку TIMER (9). Нажмите кнопки UP / DOWN (11), чтобы установить время для выключения устройства, выбрав время в диапазоне 1-24 часа.

6. При одновременном нажатии кнопки UP (11) и кнопки FAN (10) или нажатии кнопки SLEEP (17) на пульте дистанционного управления устройство можно переключить в режим ожидания. Устройство будет тихо работать в режиме энергосбережения. Эта функция доступна только в режиме COOL, недоступна в режимах FAN и DRY.

7. Единицы (°C <-> °F) требуемой комнатной температуры можно изменить, нажав кнопку (16) на пульте дистанционного управления или одновременно нажав обе кнопки «вверх» (11) и «вниз» (11) для переключения между градусами Цельсия (°C) и по Фаренгейту (°F).

8. Нажмите кнопку (15), чтобы начать колебание воздуха, жалюзи будут двигаться вертикально. Нажмите еще раз, чтобы остановить колебания воздуха.

ДРЕНАЖНЫЕ ИНСТРУКЦИИ

ДРЕНАЖ ВРУЧНУЮ: Когда вода в поддоне воды превышает уровень предупреждения, устройство автоматически подаст звуковой сигнал, и на ЖК-дисплее (14) отобразится «FL». Также загорится индикатор ПОЛНОЙ воды (18). Затем включите устройство и

выньте вилку из розетки. Аккуратно перемещайте устройство, чтобы не пролить воду в поддон для воды в нижней части корпуса. Затем поместите контейнер (не входит в комплект) под дренажное отверстие (8), открутите его и снимите крышку, закрывающую отверстие - см. Рисунок 7. Дайте воде вылиться, во время слива корпус можно слегка наклонить назад, Затем установите его снова и включите устройство.

НЕПРЕРЫВНЫЙ ДРЕНАЖ: В режимах ОХЛАЖДЕНИЕ и СУХОЙ можно подключить трубу (не входит в комплект) к постоянному дренажу - рисунок 9. Для этого открутите и снимите крышку, закрывающую отверстие для непрерывного слива воды (7). Затем установите дренажный шланг (не входит в комплект) в выходное отверстие для воды и поместите другой конец в вместительный сосуд.

УСТРОЙСТВА ЗАЩИТЫ

1. Функция защиты от замерзания: в режиме охлаждения, осушения или экономичного энергосбережения, если температура выхлопной трубы слишком низкая, машина автоматически перейдет в состояние защиты; если температура выхлопной трубы поднимается до определенной температуры, она может автоматически вернуться к нормальной работе.
2. Функция защиты от переполнения: прочитайте главу ИНСТРУКЦИИ ПО ДРЕНАЖУ. После слива воды машина автоматически вернется в исходное состояние.
3. Автоматическое размораживание: устройство имеет функцию автоматического размораживания: во время размораживания на экране дисплея будет мигать символ нагрева.
4. Функция защиты компрессора: для увеличения срока службы компрессора, он имеет функцию защиты загрузки с задержкой 3 минуты после выключения компрессора.

ОЧИСТКА И ОБСЛУЖИВАНИЕ

Очистка: перед чистой и техническим обслуживанием выключите устройство и выньте вилку из розетки.

1) Чистка жилья

Протрите поверхность прибора влажной мягкой тканью. Не используйте химические вещества, такие как бензол, спирт, бензин, в противном случае поверхность устройства будет повреждена или даже вся машина будет повреждена.

2) Чистка чистых фильтров

Если фильтр забит пылью, эффективность устройства снижается, поэтому очищайте фильтр раз в две недели. Очистите рамки верхнего и нижнего фильтров после снятия их с задней стороны устройства - рисунок 8.

* Верхняя рама фильтра: зажмите клинья блока рамы фильтра руками. Нажмите вниз снаружи, чтобы снять рамку фильтра.

Отвинтите четыре винта, фиксирующие экран фильтра и задний корпус, чтобы снять экран фильтра (как показано на рисунке 8).

* Нижняя рама экрана фильтра: Возьмитесь за ручку рамки фильтра и аккуратно потяните ее наружу, чтобы снять.

* Поместите оба фильтра в теплую воду с нейтральным моющим средством (около 40 104/104 °F) и высушите их в тени после промывки.

МЕСТО ХРАНЕНИЯ

Если устройство не будет использоваться в течение длительного времени, сделайте следующее:

1. Вытащите сливную пробку (8), чтобы вытечь вода.
2. Дайте устройству поработать в режиме вентилятора в течение 2 часов, чтобы высушить внутреннюю часть устройства.
3. Выключите устройство и вытащите вилку.
4. Очистите и высушите фильтры, затем установите их на место.
5. Вытащите выхлопную трубу для безопасного хранения.
6. Поместите машину в пластиковый пакет и положите в сухое место.
7. Извлеките батарейки из пульта дистанционного управления и храните их надлежащим образом.

ПОИСК НЕИСПРАВНОСТЕЙ

Проблема I.: Кондиционер не работает.

Причина 1: нет электричества. Итак, включите его после подключения к электрической розетке.

Причина 2: Индикатор полного контроля воды показывает «FL». Итак, слейте воду.

Причина 3: в режиме охлаждения комнатная температура ниже заданной температуры. Итак, измените уровень температуры.

Причина 4: в режиме осушения температура окружающей среды низкая. Обратите внимание, что устройство находится в комнате с температурой окружающей среды более 17 62 (62 °F).

Причина 5: температура окружающей среды слишком низкая или слишком высокая. Предполагаемая рабочая температура устройства составляет 7-35 °C (44-95 °F).

Проблема II.: Охлаждающий эффект не хороший.

Причина 1: прямой солнечный свет. Итак, нарисованы шторы.

Причина 2: Дверь и окна открыты, в комнате много источников тепла. Итак, закройте дверь и окна, выдвиньте источники тепла.

Причина 3: фильтры слишком грязные. Итак, почистите или замените фильтры.

Причина 4: Заблокирован впуск или выпуск воздуха. Итак, уберите засорение.

Проблема III.: Большой шум

Причина: устройство не размещено на плоской поверхности. Итак, положите устройство на ровное и жесткое место, чтобы уменьшить шум.

Проблема IV.: Компрессор не работает.

Причина: защита от задержки компрессора включена. Итак, подождите 3 минуты, пока температура не понизится, а затем

перезапустите машину.

Проблема V.: Пульт дистанционного управления не работает.

Причина 1: расстояние между машиной и пультом дистанционного управления слишком велико. Итак, позвольте пульту дистанционного управления приблизиться к кондиционеру и убедитесь, что пульт дистанционного управления направлен прямо в направлении приемника пульта дистанционного управления.

Причина 2: пульт дистанционного управления не выровнен с направлением приемника пульта дистанционного управления. Итак, позвольте пульту дистанционного управления приблизиться к кондиционеру и убедитесь, что пульт дистанционного управления направлен прямо в направлении приемника пульта дистанционного управления.

Причина 3: батареи разряжены. Итак, замените батареи.

Проблема V.: На дисплее отображается «E1».

Причина: датчик температуры трубы неисправен. Итак, обратитесь в профессиональную службу за помощью.

Проблема VI.: На дисплее отображается «E2».

Причина: датчик комнатной температуры неисправен. Итак, обратитесь в профессиональную службу за помощью.

Примечание: при возникновении нестандартных ситуаций выключите машину и выньте вилку из розетки, а затем обратитесь за помощью в профессиональную службу.

Не ремонтируйте устройство самостоятельно. Неквалифицированный ремонт приведет к аннулированию гарантии.

ТЕХНИЧЕСКИЕ ДАННЫЕ:

Холодопроизводительность в БТЕ: 12000 БТЕ / час

Холодопроизводительность в ваттах: 3520 Вт

Энергопотребление (охлаждение) в ваттах: 1350 Вт

Расход воздуха: 400 м³ / час

Производительность сушки: 28 литров / 24 часа

Энергетический класс: A

Таймер: 1-24 часа

Охлаждающий агент: R290, 230 грамм

Уровень шума: <65 дБ

Напряжение: 220-240 В ~ 50 Гц



Осторожно, опасность пожара.

НЕ прокалывать и не сжигать.

Помните, что хладагент не может содержать запах.



Заботясь об окружающей среде.. Упаковку из картона передайте, пожалуйста, на макулатуру. Полиэтиленовые мешки (PE) выкидать в резервуар для пластмассы. Изношенное устройство надо передать в соответствующую точку хранения, так как находящиеся в устройстве опасные составляющие могут являться угрозой для окружающей среды. Электрическое устройство надо передать таким образом, чтобы ограничить его повторное употребление и использование. Если в устройстве находятся батареи, их надо вынуть и передать в точку хранения отдельно. Устройство не выкидать в резервуар для коммунальных отходов!

ITALIANO

CONDIZIONI GENERALI DI SICUREZZA

IMPORTANTI ISTRUZIONI DI SICUREZZA LEGGERE ATTENTAMENTE E SALVARE PER IL FUTURO

1. Prima di utilizzare il dispositivo, leggere il manuale operativo e seguire le istruzioni in esso contenute. Il produttore non è responsabile per danni causati dall'uso del dispositivo contrario allo scopo previsto o al funzionamento improprio.
2. Il dispositivo è solo per uso domestico. Non utilizzare per altri scopi diversi da quelli previsti.
3. Il dispositivo deve essere collegato solo a una presa CA con una messa a terra da 220 240 V ~ 50 Hz. Per aumentare la sicurezza operativa, più dispositivi elettrici non devono essere collegati contemporaneamente a un circuito di corrente.
4. Usare estrema cautela quando si usa il dispositivo quando i bambini sono nelle vicinanze. Non consentire ai bambini di giocare con il dispositivo, non consentire ai bambini o alle persone che non hanno familiarità con il dispositivo di usarlo.
5. **AVVERTENZA:** questa apparecchiatura può essere utilizzata da bambini di età superiore a 8 anni e persone con capacità fisiche, sensoriali o mentali limitate o persone che non hanno esperienza o conoscenza dell'attrezzatura, se ciò viene fatto sotto la supervisione di una

persona responsabile per la loro sicurezza o hanno ricevuto loro informazioni sull'uso sicuro del dispositivo e sono consapevoli dei pericoli connessi all'uso. I bambini non devono giocare con l'attrezzatura. La pulizia e la manutenzione del dispositivo non devono essere eseguite da bambini, a meno che non abbiano più di 8 anni e queste attività siano svolte sotto controllo.

6. Scollegare sempre la spina di alimentazione tenendo la presa con la mano dopo l'uso. NON tirare il cavo di alimentazione.

7. Non immergere il cavo, la spina e l'intero dispositivo in acqua o altri liquidi. Non esporre il dispositivo a condizioni atmosferiche (pioggia, sole, ecc.) O utilizzare in condizioni di elevata umidità (bagni, case mobili umide).

8. Controllare periodicamente le condizioni del cavo di alimentazione. Se il cavo di alimentazione è danneggiato, deve essere sostituito da un'officina specializzata per evitare pericoli.

9. Non utilizzare l'apparecchio con un cavo di alimentazione danneggiato o se è stato fatto cadere o danneggiato in altro modo o se non funziona correttamente. Non riparare il dispositivo da soli, poiché esiste il rischio di scosse elettriche. Portare il dispositivo danneggiato in un centro di assistenza adeguato per il controllo o la riparazione. Tutte le riparazioni possono essere eseguite solo da punti di assistenza autorizzati. Le riparazioni eseguite in modo errato possono causare gravi pericoli per l'utente.

10. Collocare il dispositivo su una superficie fresca e stabile, lontano da elettrodomestici da cucina caldi come: fornelli elettrici, bruciatori a gas, ecc.

11. Assicurarsi che nulla blocchi l'entrata e l'uscita dell'aria del dispositivo

12. Utilizzare il dispositivo solo su una superficie piana per evitare la fuoriuscita della condensa

13. Per fornire una protezione aggiuntiva, si consiglia di installare un dispositivo a corrente residua (RCD) nel circuito elettrico con una corrente residua nominale non superiore a 30 mA. Chiedi a un elettricista per questo.

14. Pulire regolarmente il filtro dell'aria. La frequenza della pulizia dipende dalla pulizia dell'aria.

15. Dopo aver spento la macchina, attendere almeno 5 minuti prima di riaccenderla.

16. Non utilizzare il dispositivo in luoghi soleggiati. Quando il dispositivo si surriscalda, la protezione da surriscaldamento attiva il dispositivo.

17. Per garantire un raffreddamento efficace, è necessario mantenere una distanza di almeno 50 cm tra le pareti laterali del dispositivo e la parete, i mobili o le tende.

18. A causa delle prestazioni limitate del dispositivo, se la differenza tra la temperatura target e la temperatura ambiente è troppo elevata, la temperatura target potrebbe non essere raggiunta.

19. Per ridurre il rischio di incendi, scosse elettriche o lesioni durante l'uso del condizionatore d'aria, osservare le seguenti precauzioni di base:

a) Collegare a una presa con messa a terra con 3 pin.

b) Non rimuovere il polo di messa a terra.

- c) Non utilizzare l'adattatore.
 - d) Non utilizzare una prolunga.
 - e) Scollegare il condizionatore d'aria prima della manutenzione.
 - f) Utilizzare due o più persone per spostare e installare il condizionatore d'aria.
20. Non utilizzare agenti che accelerano il processo di scongelamento o pulizia diversi da quelli raccomandati dal produttore.
21. Il dispositivo deve essere conservato in una stanza senza fonti di accensione costantemente funzionanti, ad esempio fuoco aperto, apparecchi a gas o stufe elettriche.

DESCRIZIONE DEL DISPOSITIVO

1. Pannello di controllo
2. Sfiato regolabile
3. Alloggiamento del filtro dell'aria
4. Ingresso aria
5. Posto per la spina
6. Raccordo per tubo di scarico
7. Foro di drenaggio per scarico continuo dell'acqua
8. Foro di drenaggio per lo scarico completo dell'acqua dal dispositivo
9. Tasto TIMER
10. Tasto FAN
11. Pulsante SU / GIÙ temperatura e tempo
12. Pulsante di scelta MODE
13. Tasto POWER
14. Display LCD
15. Pulsante di oscillazione verticale
16. Pulsante per modificare l'unità di temperatura
17. Pulsante modalità SLEEP
18. Spia di controllo del serbatoio pieno d'acqua "FL"
19. Tubo di scarico
20. Assemblaggio della piastra di tenuta della finestra
21. Vite di sicurezza
22. Blocco a cuneo per filtro superiore
23. Blocco a cuneo per filtro inferiore

MONTAGGIO

Prima del primo utilizzo, assemblare il dispositivo come di seguito:

1. Il dispositivo deve essere posizionato su una superficie piana. La distanza dalla parete o da altri oggetti deve essere di almeno 50 cm per non limitare il flusso d'aria - vedere la figura 6. Non installare e utilizzare il dispositivo in bagno o in altri ambienti umidi.
2. Installare il gruppo piastra di tenuta della finestra (20):
 - a) Aprire a metà la finestra e montare il gruppo della piastra di tenuta della finestra (20) sulla finestra (come mostrato nella figura 5); il gruppo (20) può essere posizionato in direzione orizzontale e verticale.
 - b) Tirare aperti vari componenti del gruppo della piastra di tenuta della finestra, regolare la distanza di apertura per portare entrambe le estremità del gruppo a contatto con il telaio della finestra e fissare i componenti del gruppo.
3. Allungare il tubo di scarico (19) e far scattare l'estremità piatta dei giunti del tubo di calore nel foro ellittico del gruppo della piastra di tenuta della finestra (come mostrato nella figura 6).

Note: 1. l'estremità piatta dei giunti del tubo di scarico deve essere fatta scattare in posizione.

4. La lunghezza del tubo di scarico deve essere di 280 ~ 1.500 mm, non può essere distorta né presentare una rotazione sostanziale (maggiore di 45 °). Lo scarico deve essere libero; altrimenti potrebbe causare surriscaldamento. Non utilizzare tubi di prolunga o sostituirli con altri tubi diversi, in quanto ciò potrebbe causare un malfunzionamento.

FUNZIONAMENTO DEL DISPOSITIVO

Dopo aver collegato il dispositivo alla rete elettrica, il buzzer riprodurrà la musica all'accensione, entrerà in modalità standby e visualizzerà la temperatura ambiente attuale.

1. Per accendere o spegnere il dispositivo, premere il pulsante (13).
2. Premere il pulsante (12) per selezionare una delle modalità disponibili: COOL -> FAN -> DRY
3. In modalità RAFFREDDAMENTO, impostare la temperatura usando i pulsanti SU / GIÙ (11). Non è disponibile in modalità ventilatore e deumidificazione.)
4. Durante le modalità RAFFREDDAMENTO o VENTOLA, utilizzare il pulsante VENTOLA (10) per impostare la velocità della ventola:

FORTE (F3), MEDIA (F2), DEBOLE (F1). Ma il funzionamento della velocità del vento è limitato dalle condizioni anti-freddo, in determinate condizioni, potrebbe non funzionare in base alla velocità del vento impostata. In modalità DEUMIDIFICAZIONE la ventola viene automaticamente impostata sul livello DEBOLE.

5. Quando il dispositivo è spento, può essere acceso con un ritardo premendo il pulsante TIMER (9). Premere i pulsanti SU / GIÙ (11) per impostare l'ora per l'attivazione del dispositivo selezionando l'ora nell'intervallo 1-24 ore. Quando il dispositivo è acceso, può essere spento con ritardo premendo il pulsante TIMER (9). Premere i pulsanti SU / GIÙ (11) per impostare l'ora di spegnimento del dispositivo selezionando l'ora nell'intervallo 1-24 ore.

6. Premendo contemporaneamente il pulsante SU (11) e il pulsante FAN (10) o premendo il pulsante SLEEP (17) sul telecomando, è possibile passare alla modalità di sospensione. Il dispositivo funzionerà quindi silenziosamente in modalità di risparmio energetico. Questa funzione è disponibile solo in modalità RAFFREDDAMENTO, non disponibile nelle modalità FAN e DRY.

7. Le unità (°C <-> °F) della temperatura ambiente richiesta possono essere modificate premendo il pulsante (16) sul telecomando o premendo contemporaneamente entrambi i pulsanti su (11) e giù (11) per passare tra Celsius (°C) e Fahrenheit (°F).

8. Premere il pulsante (15) per avviare l'oscillazione dell'aria, le tende si sposteranno verticalmente. Premerlo di nuovo per interrompere l'oscillazione dell'aria.

ISTRUZIONI DI DRENAGGIO

DRENAGGIO MANUALE: quando l'acqua nella vaschetta dell'acqua supera il livello di avviso, il dispositivo emetterà automaticamente un allarme e l'area del display LCD (14) mostrerà "FL". Si accenderà anche la spia FULL di controllo dell'acqua (18). Quindi spegnere il dispositivo e rimuovere la spina dalla presa. Spostare il dispositivo con attenzione, in modo da non versare l'acqua nella bacinella sul fondo dell'alloggiamento. Quindi metti un contenitore (non incluso nel set) sotto il foro di drenaggio (8), svitalo e rimuovi il tappo chiudendo l'apertura - guarda la figura 7. Lascia che l'acqua fuoriesca, durante il drenaggio, l'alloggiamento può essere leggermente inclinato all'indietro. Quindi installarlo di nuovo e accendere il dispositivo.

DRENAGGIO CONTINUO: in modalità RAFFREDDAMENTO e DEUMIDIFICAZIONE, è possibile collegare il tubo (non incluso nel set) al drenaggio costante - figura 9. Per fare ciò, svitare e rimuovere il tappo chiudendo l'apertura del drenaggio continuo dell'acqua (7). Quindi, posizionare il tubo di drenaggio (non incluso nel set) nell'uscita dell'acqua e posizionare l'altra estremità in un recipiente capiente.

DISPOSITIVI DI PROTEZIONE

1. Funzione di protezione antigelo: in modalità raffreddamento, deumidificazione o risparmio energetico, se la temperatura del tubo di scarico è troppo bassa, la macchina entrerà automaticamente nello stato di protezione; se la temperatura del tubo di scarico sale a una certa temperatura, può tornare automaticamente al normale funzionamento.

2. Funzione di protezione da trabocco: leggere il capitolo ISTRUZIONI DI DRENAGGIO. Dopo aver svuotato l'acqua, la macchina tornerà automaticamente allo stato originale.

3. Sbrinamento automatico: il dispositivo ha la funzione di scongelamento automatico: durante lo scongelamento, il simbolo di riscaldamento sul display lampeggerà.

4. Funzione di protezione del compressore: per aumentare la durata del compressore, ha una funzione di protezione all'avvio di 3 minuti dopo lo spegnimento del compressore.

PULIZIA E MANUTENZIONE

Pulizia: prima della pulizia e della manutenzione, spegnere il dispositivo e scollegare la spina.

1) Pulizia dell'alloggiamento

Pulire con la superficie del dispositivo con un panno morbido bagnato. Non usare prodotti chimici come benzene, alcool, benzina, altri prodotti. La superficie del dispositivo verrà danneggiata o anche l'intera macchina verrà danneggiata.

2) Pulizia filtri rete

Se il filtro è ostruito dalla polvere, l'efficacia del dispositivo è ridotta, assicurarsi di pulire il filtro una volta ogni due settimane. Pulire i telai dei filtri superiore e inferiore dopo averli rimossi dal lato posteriore del dispositivo - figura 8.

* Cornice dello schermo del filtro superiore: stringere con le mani il blocco di incuneamento della cornice dello schermo del filtro. Spingere verso il basso dall'esterno per rimuovere la cornice dello schermo del filtro. Svitare le quattro viti che fissano lo schermo del filtro e l'alloggiamento posteriore per rimuovere lo schermo del filtro (come mostrato nella figura 8).

* Cornice dello schermo del filtro inferiore: afferrare la maniglia del telaio dello schermo del filtro e tirarlo delicatamente verso l'esterno per rimuoverlo.

* Mettere entrambi gli schermi del filtro in acqua calda con detergente neutro (circa 40 °C / 104 °F) e asciugarli all'ombra dopo averli risciacquati.

CONSERVAZIONE

Se il dispositivo non verrà utilizzato per un lungo periodo, eseguire le seguenti operazioni:

1. Estrarre il tappo di drenaggio (8) per scaricare l'acqua.

2. Lasciare funzionare il dispositivo in modalità ventola per 2 ore per asciugare l'interno del dispositivo.

3. Spegnerlo il dispositivo ed estrarre la spina.

4. Pulire e asciugare i filtri, quindi reinstallarli.

5. Estrarre il tubo di scarico per mantenerlo in sicurezza.

6. Mettere la macchina in un sacchetto di plastica e posizionarla in un luogo asciutto.

7. Rimuovere le batterie del telecomando e conservarle correttamente.

RISOLUZIONE DEI PROBLEMI

Problema I.: L'aria condizionata non funziona.

Motivo 1: non c'è elettricità. Quindi, accendilo dopo averlo collegato a una presa elettrica.

Motivo 2: la spia di controllo completo dell'acqua visualizza "FL". Quindi, scarica l'acqua.

Motivo 3: in modalità raffreddamento, la temperatura ambiente è inferiore alla temperatura impostata. Quindi, cambia il livello di temperatura.

Motivo 4: nella modalità di deumidificazione, la temperatura ambiente è bassa. Si prega di notare che il dispositivo è collocato in una stanza con una temperatura ambiente superiore a 17 °C (62 °F).

Motivo 5: la temperatura ambiente è troppo bassa o troppo alta. La temperatura operativa prevista del dispositivo è 7-35 °C (44-95 °F).

Problema II.: l'effetto di raffreddamento non è buono.

Motivo 1: luce solare diretta. Quindi, disegna le tende.

Motivo 2: porte e finestre sono aperte, molte fonti di calore nella stanza. Quindi, chiudere la porta e le finestre, spostare le fonti di calore.

Motivo 3: i filtri sono troppo sporchi. Quindi, pulire o sostituire i filtri.

Motivo 4: l'ingresso dell'aria o l'uscita dell'aria è bloccato. Quindi, rimuovere il blocco.

Problema III.: grande rumore

Motivo: il dispositivo non è posizionato su una superficie piana. Quindi, posizionare il dispositivo in un luogo piatto e duro per ridurre il rumore.

Problema IV.: il compressore non funziona.

Motivo: la protezione del ritardo del compressore si attiva. Quindi, attendere 3 minuti fino a quando la temperatura si abbassa, quindi riavviare la macchina.

Problema V.: Il telecomando non funziona.

Motivo 1: la distanza tra la macchina e il telecomando è troppo elevata. Quindi, lasciare che il telecomando si avvicini al climatizzatore e assicurarsi che il telecomando sia rivolto direttamente nella direzione del ricevitore del telecomando.

Motivo 2: il telecomando non è allineato con la direzione del ricevitore del telecomando. Quindi, lasciare che il telecomando si avvicini al climatizzatore e assicurarsi che il telecomando sia rivolto direttamente nella direzione del ricevitore del telecomando.

Motivo 3: le batterie sono scariche. Quindi, sostituire le batterie.

Problema V.: Il display mostra: "E1".

Motivo: il sensore di temperatura del tubo è anormale. Quindi, contattare l'assistenza professionale per assistenza.

Problema VI.: il display visualizza: "E2".

Motivo: il sensore della temperatura ambiente è anomalo. Quindi, contattare l'assistenza professionale per assistenza.

Nota: quando si verificano situazioni anomale, spegnere la macchina ed estrarre la spina, quindi contattare l'assistenza professionale.

Non riparare il dispositivo da soli. La riparazione non qualificata annullerà la garanzia.

DATI TECNICI:

Capacità di raffreddamento a BTU: 12000 BTU / ora

Potenza frigorifera in watt: 3520 W.

Consumo energetico (raffreddamento) in watt: 1350 W.

Flusso d'aria: 400 m³ / ora

Capacità di asciugatura: 28 litri / 24 ore

Classe energetica: A

Timer: 1-24 ore

Agente di raffreddamento: R290, 230 grammi

Rumorosità: <65dB

Voltaggio: 220-240 V ~ 50Hz



Attenzione, rischio di incendio.

NON perforare o bruciare.

Tenere presente che il refrigerante potrebbe non contenere odori.



Prendiamoci cura dell'ambiente naturale. I contenitori in cartone dovrebbero essere portati all'apposito punto di raccolta. I sacchi in polietilene (PE) vanno buttati nel contenitore per la plastica. L'apparecchio fuori uso deve essere rottamato presso un centro di raccolta autorizzato, poiché contiene elementi pericolosi che potrebbero costituire una minaccia per l'ambiente. Il dispositivo elettrico deve essere consegnato in modo da limitare il suo riutilizzo. Se l'apparecchio contiene batterie, è necessario rimuoverle e smaltirle separatamente.

VAŽNE SIGURNOSNE UPUTE PROČITAJTE UPOZORENJE I SPREMITE SE ZA
BUDUĆNOST

1. Prije upotrebe uređaja, pročitajte korisnički priručnik i slijedite upute sadržane u njemu. Proizvođač ne odgovara za štetu nastalu upotrebom uređaja suprotno njegovoj predviđenoj namjeni ili nepravilnom radu.
2. Uređaj je namijenjen samo kućnoj uporabi. Ne koristite za druge svrhe koje nisu prema njegovoj predviđenoj namjeni.
3. Uređaj treba spojiti samo na izmjeničnu utičnicu s uzemljenim 220 240V ~ 50Hz. Da bi se povećala operativna sigurnost, više električnih uređaja ne smije istovremeno biti povezano na jedan strujni krug.
4. Budite izuzetno oprezni kada koristite uređaj kada su djeca u blizini. Ne dopustite djeci da se igraju s uređajem, ne dopustite djeci ili osobama koje nisu upoznate s uređajem.
5. **UPOZORENJE:** Ovu opremu mogu koristiti djeca starija od 8 godina i osobe ograničene tjelesne, senzorne ili mentalne sposobnosti, ili ljudi koji nemaju iskustva ili znanje o uređaju, ako se to radi pod nadzorom odgovorne osobe radi njihove sigurnosti ili su im odobreni podaci o sigurnoj upotrebi uređaja i svjesni su opasnosti upotrebe uređaja. Djeca se ne bi trebala igrati s opremom. Čišćenje i održavanje uređaja ne smiju obavljati djeca, osim ako imaju više od 8 godina i ove aktivnosti se izvode pod nadzorom.
6. Uvijek isključite utikač držeći utičnicu rukom nakon uporabe. **NE** povlačite kabel za napajanje.
7. Ne uranjajte kabel, utikač i cijeli uređaj u vodu ili bilo koju drugu tekućinu. Ne izlažite uređaj atmosferskim uvjetima (kiša, sunce itd.) I ne koristite u uvjetima visoke vlage (kupaonice, vlažne mobilne kućice).
8. Povremeno provjeravajte stanje kabela za napajanje. Ako je mrežni kabel oštećen, zamijenite ga specijaliziranoj servisnoj službi kako biste izbjegli opasnost.
9. Ne koristite uređaj s oštećenim kablom za napajanje ili ako je ispao ili oštećen na bilo koji drugi način ili ako ne radi ispravno. Ne popravljajte uređaj sami jer postoji opasnost od električnog udara. Oštećeni uređaj odnesite u odgovarajući servisni centar radi provjere ili popravka. Sve popravke smiju obavljati samo ovlašteni servisi. Nepravilno izvedeni popravci mogu ozbiljno opasiti za korisnika.
10. Uređaj postavite na hladnu i stabilnu površinu, daleko od vrućih kuhinjskih uređaja kao što su: električni štednjak, plinski plamenik itd.
11. Pazite da ništa ne blokira dovod i izlaz zraka u uređaju
12. Koristite uređaj samo na ravnoj površini kako ne bi došlo do prolijevanja kondenzata
13. Da biste osigurali dodatnu zaštitu, preporučljivo je u električni krug instalirati zaostalu struju (RCD), nazivna zaostala struja koja ne prelazi 30mA. Pitajte za to električara.
14. Redovito čistite filter za zrak. Učestalost čišćenja ovisi o čistoći zraka.
15. Nakon isključivanja stroja pričekajte najmanje 5 minuta prije nego što ga ponovno uključite.

16. Ne koristite uređaj na sunčanim mjestima. Kad se uređaj pregrijava, uključit će se zaštita od pregrijavanja.
17. Da bi se osiguralo učinkovito hlađenje, treba se držati razmak od najmanje 50 cm između bočnih zidova uređaja i zida, namještaja ili zavjesa.
18. Zbog ograničenih performansi uređaja, ako je razlika između ciljne temperature i temperature okoline prevelika, ciljna temperatura možda neće biti dosegnuta.
19. Da biste smanjili rizik od požara, strujnog udara ili ozljeda kad koristite klima uređaj, pridržavajte se sljedećih osnovnih mjera opreza:
 - a) Spojite na uzemljenu utičnicu s 3 pina.
 - b) Ne uklanjajte uzemljenje.
 - c) Nemojte koristiti adapter.
 - d) Ne koristite produžni kabel.
 - e) Prije servisiranja isključite klima uređaj.
 - f) Koristite dvije ili više osoba za pomicanje i instaliranje klima uređaja.
20. Ne koristite sredstva koja ubrzavaju postupak odmrzavanja ili čišćenja, osim onih koja je preporučio proizvođač.
21. Uređaj treba skladištiti u prostoriji bez stalno aktivnih izvora paljenja, na primjer: otvorene vatre, plinskih uređaja ili električnih grijača.

OPIS UREĐAJA

1. Upravljačka ploča
2. Podesivi otvor
3. Kućište filtra za zrak
4. Dovod zraka
5. Mjesto za utikač
6. Priključak ispušnih cijevi
7. Drenažni otvor za kontinuirano ispuštanje vode
8. Drenažni otvor za potpuno ispuštanje vode iz uređaja
9. TIMER tipka
10. Gumb FAN
11. Gumb GORE / DOLJE temperatura i vrijeme
12. Gumb za izbor MODE-a
13. Gumb POWER
14. LCD zaslon
15. Gumb za vertikalno osciliranje
16. Gumb za promjenu jedinice temperature
17. Gumb za način mirovanja
18. Potpuna kontrolna lampica spremnika za vodu "FL"
19. Ispušna cijev
20. Sklop ploče brtve prozora
21. Držač vijka
22. Blok za klin gornjeg filtra
23. Blok klina za donji filter

SASTAVLJANJE

Prije prve upotrebe, montirajte uređaj na sljedeći način:

1. Uređaj treba postaviti na ravnu površinu. Udaljenost od zida ili drugih predmeta mora biti najmanje 50 cm kako ne biste ograničili protok zraka - pogledajte sliku 6. Ne postavljajte i ne upotrebljavajte uređaj u kupaonici ili drugim visokim vlažnim okruženjima.
2. Ugrađite sklop brtve prozora (20):
 - a) Na pola otvorite prozor i montirajte sklop za brtvljenje prozora (20) na prozor (kao što je prikazano na slici 5); sklop (20) se može postaviti u vodoravnom i okomitom smjeru.
 - b) Otvorite razne komponente sklopa ploče za brtvljenje prozora, podesite udaljenost otvaranja kako bi oba kraja sklopa bila u kontaktu s okvirom prozora i fiksirajte dijelove sklopa.
3. Izdžite ispušnu cijev (19) i gurnite ravni kraj spojeva toplinske cijevi u eliptični otvor sklopa ploče za brtvljenje prozora (kao što je

prikazano na slici 6).

Napomene: 1. ravni kraj spojeva ispušnih cijevi mora se uskočiti na svoje mjesto.

4. Duljina ispušnog crijeva mora biti 280 ~ 1.500 mm, ne može se izobličiti niti imati značajna okretanja (veća od 45 °). Ispuh mora biti neometan; u suprotnom može doći do pregrijavanja. Ne koristite produžne cijevi i ne smijete ga zamijeniti drugim drugačijim crijevima jer to može uzrokovati kvar.

POSLOVANJE UREĐAJA

Nakon spajanja uređaja na mrežnu mrežu, zvučnik će reproducirati glazbu s napajanjem, preći će u stanje pripravnosti i prikazati trenutnu temperaturu okoline.

1. Da biste uključili ili isključili uređaj, pritisnite gumb (13).

2. Pritisnite tipku (12) za odabir jednog od dostupnih načina: hlađenje -> ventilator -> suho

3. U načinu COOL podešite temperaturu tipkama GORE / DOLJE (11). Nije dostupno u načinu ventilatora i odvlaživanja.)

4. Za vrijeme rada COOL ili FAN koristite tipku FAN (10) za podešavanje brzine ventilatora: STRONG (F3), MEDIUM (F2), WEAK (F1). No rad brzine vjetra ograničen je uvjetima prohladne vožnje, a pod određenim se uvjetima možda neće odvijati u skladu s postavljenom brzinom vjetra. U DRY načinu rada ventilator se automatski postavlja na razinu WEAK.

5. Kad je uređaj isključen, možete ga uključiti s odgodom pritiskom na tipku TIMER (9). Pritisnite tipke GORE / DOLJE (11) za postavljanje vremena aktiviranja uređaja odabirom vremena u rasponu od 1-24 sata. Kad je uređaj uključen, možete ga odgoditi s kašnjenjem pritiskom na tipku TIMER (9). Pritisnite tipke GORE / DOLJE (11) za postavljanje vremena isključivanja uređaja odabirom vremena u rasponu od 1-24 sata.

6. Pritiskom istovremeno tipke UP (11) i tipke FAN (10) ili pritiskom tipke SLEEP (17) na daljinskom upravljaču uređaj se može prebaciti u stanje mirovanja. Uređaj će tada tiho raditi u načinu za uštedu energije. Ova je funkcija dostupna samo u načinu COOL, nije dostupna u FAN i DRY načinima.

7. Jedinice (°C <-> °F) potrebne sobne temperature mogu se mijenjati pritiskom na tipku (16) na daljinskom upravljaču ili istovremeno pritisnite obje tipke gore (11) i tipku za dolje (11) za prebacivanje između Celzijevih (°C) i Fahrenheit (°F).

8. Pritisnite gumb (15) da pokrenete oscilaciju zraka, sjenila će se kretati okomito. Ponovno ga pritisnite za zaustavljanje oscilacija zraka.

UPUTE ZA DRŽAVE

RUČNO ODUZIMANJE: Kad voda u posudi za vodu premaši razinu upozorenja, uređaj će automatski oglasiti alarm, a na LCD zaslonu (14) prikazat će se "FL". Također će se upaliti POTPUNA kontrolna lampica vode (18). Zatim isključite uređaj i izvadite utikač iz utičnice. Pažljivo pomaknite uređaj kako ne biste prolili vodu u posudu za vodu na dnu kućišta. Zatim stavite neki spremnik (nije u kompletu) ispod odvodne rupe (8), odvijte ga i uklonite poklopac koji zatvara otvor - pogledajte sliku 7. Neka voda izlije, tijekom odvodnje kućište se može malo nagnuti prema natrag. Zatim ga ponovo instalirajte i uključite uređaj.

Neprekidno odvodnjavanje: U režimu hlađenja i sušenja možete spojiti cijev (koja nije uključena u komplet) na konstantnu odvodnju - slika

9. Da biste to učinili, odvijte i uklonite poklopac koji zatvara otvor neprekidne odvodnje vode (7). Zatim postavite odvodno crijevo (koje nije uključeno) u izlaz za vodu, a drugi kraj stavite u veliku posudu.

UREĐAJI ZA ZAŠTITU

1. Funkcija zaštite od smrzavanja: u načinu hlađenja, odvlaživanja ili uštede energije, ako je temperatura ispušne cijevi preniska, stroj će automatski ući u zaštitni status; ako temperatura ispušne cijevi poraste na određenu temperaturu, može se automatski vratiti u normalan rad.

2. Funkcija zaštite od prelijeva: pročitajte poglavlje UPUTE ZA DRŽAVE. Nakon što se voda isprazni, stroj će se automatski vratiti u prvobitno stanje.

3. Automatsko odmrzavanje: uređaj ima funkciju automatskog odmrzavanja: tijekom odmrzavanja treptat će simbol grijanja na zaslonu.

4. Funkcija zaštite kompresora: kako bi se povećao radni vijek kompresora, on ima funkciju zaštite od pokretanja od 3 minute nakon isključivanja kompresora.

ČIŠĆENJE I ODRŽAVANJE

Čišćenje: prije čišćenja i održavanja, isključite uređaj i iskopčajte utikač.

1) Čišćenje kućišta

Očistite površinom uređaja vlažnom mekom krpom. Ne koristite kemikalije, poput benzena, alkohola, benzina, u protivnom će se oštetiti površina uređaja ili čak cijeli stroj.

2) Čišćenje mrežnog filtra

Ako je filter začepljen prašinom, tada je učinkovitost uređaja smanjena, pazite da filter očistite jednom svaka dva tjedna. Očistite okvire gornjeg i donjeg filtra nakon što ih uklonite sa stražnje strane uređaja - slika 8.

* Gornji okvir zaslona filtra: Skopite blok klina okvira okvira filtra rukama. Gurnite prema dolje izvana da uklonite okvir filtra. Odvijte četiri vijka koji pričvršćuju zaslon filtra i stražnje kućište kako biste uklonili zaslon filtra (kao što je prikazano na slici 8).

* Donji okvir zaslona filtra: Držite držak okvira okvira filtra i lagano ga izvucite prema van da biste ga uklonili.

* Stavite oba filtera u toplu vodu s neutralnim deterdžentom (oko 40 °C / 104 °F) i osušite ih u hladu nakon čistog ispiranja.

SKLADIŠTENJE

Ako se uređaj neće dugo koristiti, učinite sljedeće:

1. Izvucite čep za odvod (8) da biste ispustili vodu.

2. Pustite da uređaj radi pod ventilatorom 2 sata kako bi se osušio unutarnji dio.

3. Isključite uređaj i izvucite utikač.
4. Očistite i osušite filtre, a zatim ih ponovno instalirajte.
5. Izvucite ispušnu cijev za sigurno držanje.
6. Stavite uređaj u plastičnu vrećicu i stavite na suho mjesto.
7. Uklonite baterije daljinskog upravljača i pravilno ih držite.

RJEŠAVANJE PROBLEMA

Problem I.: klima uređaj ne radi.

Razlog 1: Nema struje. Dakle, uključite ga nakon što ga spojite u utičnicu s električnom energijom.

Razlog 2: Lampica pune vode prikazuje "FL". Dakle, ispuštite vodu.

Razlog 3: U načinu hlađenja, sobna temperatura je niža od postavljene. Dakle, promijenite razinu temperature.

Razlog 4: U režimu odvlaživanja zraka temperatura je niska. Imajte na umu da se uređaj nalazi u prostoriji sa sobnom temperaturom većom od 17 °C (62 °F).

Razlog 5: Temperatura okoline je preniska ili previsoka. Predviđena radna temperatura uređaja je 7-35 °C (44-95 °F).

Problem II.: Učinak hlađenja nije dobar.

Razlog 1: Izravna sunčeva svjetlost. Dakle, nacrtali su zavjese.

Razlog 2: Vrata i prozori su otvoreni, mnogi izvori topline su u sobi. Dakle, zatvorite vrata i prozore, premjestite izvore topline.

3. razlog: Filteri su previše prijavili. Dakle, očistite ili zamijenite filtre.

Razlog 4: ulaz zraka ili izlaz zraka su blokirani. Dakle, uklonite blokadu.

III problem: veliki šum

Razlog: Uređaj nije postavljen na ravnu površinu. Dakle, stavite uređaj na ravno i tvrdo mjesto kako biste smanjili buku.

Problem IV.: Kompresor ne radi.

Razlog: uključuje se zaštitna od vremenskog kašnjenja kompresora. Dakle, pričekajte 3 minute dok se temperatura ne spusti, a zatim ponovno pokrenite stroj.

Problem V.: Daljinski upravljač ne radi.

Razlog 1: Udaljenost stroja i daljinskog upravljača je prevelika. Dakle, dopustite daljinskom upravljaču da se približi klima uređaju i provjerite je li daljinski upravljač okrenut prema smjeru prijavnika daljinskog upravljača.

Razlog 2: Daljinski upravljač nije usklađen s smjerom prijavnika daljinskog upravljača. Dakle, dopustite daljinskom upravljaču da se približi klima uređaju i provjerite je li daljinski upravljač okrenut prema smjeru prijavnika daljinskog upravljača.

3. razlog: Baterije su mrtve. Dakle, zamijenite baterije.

Problem V.: Na zaslonu se prikazuje: "E1".

Razlog: Senzor temperature cijevi je nenormalan. Stoga se za pomoć obratite profesionalnoj službi.

Problem VI.: Na zaslonu se vidi: "E2".

Razlog: Senzor sobne temperature je nenormalan. Stoga se za pomoć obratite profesionalnoj službi.

Napomena: kada dođe do nenormalnih situacija, isključite stroj i izvucite utikač, a zatim se za pomoć obratite profesionalnoj službi. Ne popravljajte uređaj sami. Nekvalificirani popravak poništava jamstvo.

TEHNIČKI PODACI:

Kapacitet hlađenja na BTU: 12000 BTU / sat

Kapacitet hlađenja u vatima: 3520 W

Potrošnja energije (hlađenje) u vatima: 1350 W

Protok zraka: 400 m³ / sat

Kapacitet sušenja: 28 litara / 24 sata

Energetski razred: A

Mjerač vremena: 1-24 sata

Sredstvo za hlađenje: R290, 230 grama

Razina buke: <65dB

Napon: 220-240 V ~ 50Hz



Oprez, opasnost od požara

NE bušiti i ne paliti.

Imajte na umu da rashladno sredstvo ne sadrži neugodan miris.



Vodimo brigu o prirodnom okolišu. Kartonsku ambalažu molimo prenijeti na otpadni papir. Polietilen (PE) vreće bacati u kontejner za plastiku.

Istrošena oprema treba biti premještena na prikladno mjesto za pohranu, jer sadrže u uređaju opasne tvari mogu predstavljati opasnost za okoliš.

Električni uređaj mora biti predat u takvom stanju da se smanji mogućnost njegove ponovne upotrebe. Ako vaš uređaj ima baterije, treba njih ukloniti i predati na mjesto za pohranu odvojeno.

POMEMBNA VARNOSTNA NAVODILA PREVIDNO PREBERITE IN PRIPRAVITE SE ZA PRIHODNOST

1. Pred uporabo naprave preberite navodila za uporabo in sledite navodilom, ki jih vsebuje. Proizvajalec ne odgovarja za škodo, ki jo povzroči uporaba naprave v nasprotju s predvidenim namenom ali nepravilnim delovanjem.
2. Naprava je samo za domačo uporabo. Ne uporabljajte za druge namene, ki niso predvideni.
3. Napravo je treba priključiti na električno vtičnico le z ozemljenim 220 240 V ~ 50Hz. Za povečanje obratovalne varnosti več električnih naprav ne bi smelo biti priključeno na en tokovni tokokrog hkrati.
4. Bodite zelo previdni pri uporabi naprave, ko so otroci v bližini. Ne dovolite otrokom, da se igrajo z napravo, ne dovolite otrokom ali ljudem, ki jih naprava ne pozna, da jo uporabljajo.
5. **OPOZORILO:** To opremo lahko uporabljajo otroci, starejši od 8 let, in osebe z omejenimi telesnimi, senzoričnimi ali duševnimi sposobnostmi ali osebe, ki nimajo izkušenj ali znanja o opremi, če se to izvaja pod nadzorom odgovorne osebe. zaradi varnosti ali so jim bili odobreni podatki o varni uporabi naprave in se zavedajo nevarnosti uporabe. Otroci se ne smejo igrati z opremo. Čiščenja in vzdrževanja naprave ne smejo izvajati otroci, razen če so starejši od 8 let in se te dejavnosti izvajajo pod nadzorom.
6. Vedno odklopite napajalni kabel, tako da po uporabi držite vtičnico z roko. **NE** vlecite napajalnega kabla.
7. Kabla, vtiča in celotne naprave ne potopite v vodo ali katero koli drugo tekočino. Naprave ne izpostavljajte atmosferskim razmeram (dež, sonce itd.) In ne uporabljajte v pogojih visoke vlažnosti (kopalnice, vlažne mobilne hišice).
8. Občasno preverite stanje napajalnega kabla. Če je napajalni kabel poškodovan, ga zamenjajte s specializirano servisno delavnico, da se izognete nevarnosti.
9. Naprave ne uporabljajte s poškodovanim napajalnim kablom ali če je padel ali poškodovan na kakršen koli drug način ali če ne deluje pravilno. Naprave ne popravljajte sami, saj obstaja nevarnost električnega udara. Poškodovano napravo odnesite v ustrezen servisni center, da preverite ali popravite. Vsa popravila smejo izvajati samo pooblaščenim serviserji. Nepravilno opravljena popravila lahko za uporabnika resno ogrozijo.
10. Napravo postavite na hladno in stabilno površino, stran od vročih kuhinjskih aparatov, kot so: električni štedilnik, plinski gorilnik itd.
11. Prepričajte se, da nič ne blokira dovoda in izstopa zraka v napravi
12. Napravo uporabljajte samo na ravni površini, da preprečite razlitje kondenzata
13. Za dodatno zaščito je priporočljivo v električni tokokrog vgraditi napravo za preostali tok (RCD) z nazivno preostalo vrednostjo, ki ne presega 30 mA. Za to vprašajte električarja.
14. Zračni filter redno čistite. Pogostost čiščenja je odvisna od čistoče zraka.
15. Po izklopu stroja počakajte vsaj 5 minut, preden ga ponovno vklopite.
16. Naprave ne uporabljajte na sončnih mestih. Ko se naprava pregreje, se vklopi zaščita pred pregrevanjem.

17. Za zagotovitev učinkovitega hlajenja je treba med stranskimi stenami naprave in steno ali pohištvom ali zavesami držati vsaj 50 cm razdalje.
18. Če je razlika med ciljno temperaturo in temperaturo okolice zaradi omejene zmogljivosti naprave prevelika, ciljne temperature morda ne bo mogoče doseči.
19. Če želite zmanjšati tveganje požara, električnega udara ali poškodb pri uporabi klimatske naprave, upoštevajte naslednje osnovne previdnostne ukrepe:
- a) Priključite na ozemljeno vtičnico s tremi zatiči.
 - b) Ne odstranjujte ozemljitvenega droga.
 - c) Ne uporabljajte adapterja.
 - d) Ne uporabljajte podaljševalnega kabla.
 - e) klimatsko napravo pred servisiranjem izključite.
 - f) Za premikanje in namestitev klimatske naprave uporabite dve ali več oseb.
20. Ne uporabljajte sredstev, ki pospešujejo postopek odtaljevanja ali čiščenja, razen tistih, ki jih priporoča proizvajalec.
21. Napravo je treba hraniti v prostoru brez stalno delujočih virov vžiga, na primer: odprtega ognja, plinskih naprav ali električnih grelnikov.

OPIS NAPRAVE

1. Nadzorna plošča
2. nastavljiv zračnik
3. Ohišje zračnega filtra
4. Dovod zraka
5. Postavite za čep
6. Okov za izpušne cevi
7. Odtočna luknja za neprekinjeno odvajanje vode
8. Odtočna luknja za popolno odvajanje vode iz naprave
9. Gumb TIMER
10. Gumb FAN
11. Gumb GOR / DOL / temperatura in čas
12. Gumb za izbiro NAČINA
13. Gumb POWER
14. LCD zaslon
15. Gumb za navpično nihanje
16. Gumb za spreminjanje temperature enote
17. Gumb za način SLEEP
18. Polna sijalka za nadzor vodnega rezervoarja "FL"
19. Izpušna cev
20. Sklop plošče za tesnjenje oken
21. Zadrževalni vijak
22. Vpenjalni blok zgornjega filtra
23. Vpenjalni blok za spodnji filter

MONTAŽA

Pred prvo uporabo napravo sestavite na naslednji način:

1. Napravo je treba postaviti na ravno površino. Razdalja do stene ali drugih predmetov mora biti najmanj 50 cm, da ne omejit pretoka zraka - pogledite sliko 6. Naprave ne postavljajte in ne uporabljajte v kopalnici ali drugih visoko vlažnih okoljih.
2. Namestite sklop tesnilne plošče okna (20):
 - a) napol odprite okno in namestite sklop tesnilne plošče (20) na okno (kot je prikazano na sliki 5); sklop (20) lahko namestite v vodoravni in navpični smeri.
 - b) Odprite različne sestavne dele tesnilne plošče oken, prilagodite razdaljo odpiranja, da se oba konca sklopa stikata z okenskim okvirjem, in pritrdite sestavne dele sklopa.
3. Izpustite izpušno cev (19) in raven konec spojev toplotne cevi pritrdite v eliptično luknjo sklopa tesnilne plošče okna (kot je prikazano na sliki 6).

Opombe: 1. raven konec spojev izpušne cevi je treba zaskočiti.

4. Dolžina izpušne cevi mora biti od 280 do 1.500 mm, ne sme biti izkrivljenih niti bistveno zasukati (večje od 45 °). Izpušni plini morajo biti

neovirani; sicer lahko povzroči pregrevanje. Ne uporabljajte podaljševalnih cevi ali ga ne zamenjajte z drugimi različnimi cevmi, ker lahko to povzroči okvaro.

DELOVANJE NAPRAVE

Po priključitvi naprave na električno omrežje bo zvočnik predvajal glasbo ob vklopu, prešel bo v stanje pripravljenosti in prikazal trenutno temperaturo okolice.

1. Za vklop ali izklop naprave pritisnite gumb (13).
2. Pritisnite gumb (12), da izberete enega od razpoložljivih načinov: COOL -> FAN -> DRY
3. V načinu COOL nastavite temperaturo s tipkama GOR / DOL (11). Ni na voljo v načinu ventilatorja in razvlaževanja.)
4. V načinu COOL ali FAN uporabite tipko FAN (10) za nastavitve hitrosti ventilatorja: STRONG (F3), MEDIUM (F2), WEAK (F1). Toda delovanje hitrosti vetra je omejeno s hladnimi pogoji, pod določenimi pogoji pa morda ne bo delovalo v skladu z nastavljenimi hitrostjo vetra. V načinu DRY se ventilator samodejno nastavi na slabe vrednosti.
5. Ko je naprava izklopljena, jo lahko vklopite s pritiskom na tipko TIMER (9). S tipkama GOR / DOL (11) nastavite čas vklopa naprave tako, da izberete čas v območju 1-24 ur. Ko je naprava vklopljena, jo lahko s pritiskom na tipko TIMER (9) izklopite z zamudo. Pritisnite gumba GOR / DOL (11), da nastavite čas izklopa naprave, tako da izberete čas v območju 1-24 ur.
6. S hkratnim pritiskom gumba GOR (11) in gumba FAN (10) ali s pritiskom gumba SLEEP (17) na daljinskem upravljalniku lahko napravo preklopite v stanje mirovanja. Naprava bo potem tiho delovala v varčevalnem načinu. Ta funkcija je na voljo samo v načinu COOL, ni na voljo v FAN in DRY.
7. Enote (°C <-> °F) želene sobne temperature lahko spremenite s pritiskom gumba (16) na daljinskem upravljalniku ali istočasno s tipkama navzgor (11) in tipko navzdol (11) preklopite med celzijem (°C) in Fahrenheit (°F).
8. Pritisnite gumb (15) za zagon nihanja zraka, senčila se bodo premikala navpično. Ponovno ga pritisnite, da zaustavite nihanje zraka.

NAVODILA ZA ODSTRANITEV

PRIROČNO ODMERJANJE: Ko voda v vodni ponvi preseže opozorilno raven, bo naprava samodejno sprožila alarm in na LCD-prikazovalniku (14) bo prikazano "FL". Utripa tudi lučka za vodno krmiljenje vode (18). Nato izklopite napravo in izvlecite vtič iz vtičnice. Napravo previdno premakajte, da ne bi razlili vode v posodo z vodo na dnu ohišja. Nato postavite nekaj posode (ki ni v kompletu) pod odtočno luknjo (8), jo odvijte in odstranite pokrovček, ki zapira odprtino - poglejte sliko 7. Pustite, da se voda izlije, med odvajanjem se ohišje lahko nekoliko nagne nazaj. Nato ga ponovno namestite in vklopite napravo.

NADALJEVANJE DRAŽE: V načinu hlajenja in sušenja lahko cev (ki ni v kompletu) priključite na konstantno odvajanje - slika 9. Če želite to narediti, odvijte in odstranite pokrovček, ki zapira odprtino neprekinjenega odvajanja vode (7). Nato postavite odtočno cev (ki ni v kompletu) v odtok za vodo in drugi konec postavite v prostorno posodo.

ZAŠČITNE NAPRAVE

1. Funkcija zaščite pred zmrzaljo: v načinu hlajenja, razvlaževanja ali varčevanja z energijo, če je temperatura izpušne cevi prenizka, bo stroj samodejno prešel v zaščitni status; če se temperatura izpušne cevi dvigne na določeno temperaturo, se lahko samodejno vrne v normalno delovanje.
2. Funkcija zaščite pred prelivom: preberite poglavje NAVODILA ZA ODSTRANITEV. Po izpraznitvi vode se stroj samodejno vrne v prvotno stanje.
3. Samodejno odtaljevanje: naprava ima funkcijo samodejnega odtaljevanja: med odmrzovanjem utripa simbol ogrevanja na zaslonu.
4. Zaščitna funkcija kompresorja: za podaljšanje življenjske dobe kompresorja ima 3-minutno zaščitno funkcijo zagona po izklopu kompresorja.

ČIŠČENJE IN VZDRŽEVANJE

Čiščenje: pred čiščenjem in vzdrževanjem napravo izklopite in izvlecite vtič.

1) Čiščenje ohišja

Očistite s površino naprave z moko mehko krpo. Ne uporabljajte kemikalij, kot so benzen, alkohol, bencin, v nasprotnem primeru se poškoduje površina naprave ali celo celoten stroj.

2) Čiščenje čistilnih filtrov

Če je filter zamašen s prahom, je učinkovitost naprave zmanjšana, ne pozabite očistiti filtra enkrat na dva tedna. Očistite zgornji in spodnji okvir filtrov, ko jih odstranite s zadnje strani naprave - slika 8.

* Zgornji okvir zaslona filtra: Z rokama stisnite klinasti okvir filtrirnega zaslona. Odstranite navzven, da odstranite okvir zaslona filtra. Odvijte štiri vijake, s katerimi je pritrjen zaslon filtra, in zadnje ohišje, da odstranite zaslon filtra (kot je prikazano na sliki 8).

* Spodnji okvir zaslona filtra: Držite ročaj okvirja filtrirnega zaslona in ga nežno potegnite navzven, da ga odstranite.

* Obe filtrirni zasloni postavite v toplo vodo z nevtralnimi detergentom (približno 40 °C / 104 °F) in jih po čiščenju sperite v senci.

SKLADIŠČENJE

Če naprave dlje časa ne uporabljate, naredite naslednje:

1. Potegnite drenažni čep (8), da priteče voda.
2. Pustite, da naprava deluje pod ventilatorjem 2 uri, da se izsuši notranjost naprave.
3. Izklopite napravo in izvlecite vtič.
4. Očistite in osušite filtre, nato jih ponovno namestite.
5. Izvlecite izpušno cev za varno hranjenje.
6. Napravo postavite v plastično vrečko in jo postavite na suho mesto.

7. Odstranite baterije daljinskega upravljalnika in jih pravilno držite.

ODPRAVLJANJE TEŽAV

Problem I.: Klimatska naprava ne deluje.

Razlog 1: Električne energije ni. Torej, vklopite ga, ko ga priključite v vtičnico z električno energijo.

Razlog 2: Kontrolna svetilka s polno vodo prikazuje "FL". Torej, izpusťte vodo.

Razlog 3: V načinu hlajenja je sobna temperatura nižja od nastavljenе temperature. Torej, spremenite raven temperature.

Razlog 4: V načinu razvlaževanja je temperatura okolice nízka. Upoštevajte, da je naprava nameščena v prostoru, kjer je temperatura okolja večja od 17 62 (62 °F).

Razlog 5: Temperatura okolice je prenízka ali previsoka. Predvidena delovna temperatura naprave je 7-35 °C (44-95 °F).

Problem II: učinek hlajenja ni dober.

Razlog 1: Neposredna sončna svetloba. Torej, narisali zavese.

Razlog 2: Vrata in okna so odprta, v prostoru je veliko virov toplote. Torej, zaprite vrata in okna, izklopite vire toplote.

Razlog 3: Filtri so preveč umazani. Torej, očistite ali zamenjajte filtre.

Razlog 4: Dovod zraka ali izpust zraka je blokiran. Torej, odstranite blokado.

Problem III: velik hrup

Razlog: Naprava ni postavljena na ravno površino. Napravo postavite na ravno in trdo mesto, da zmanjšate hrup.

Problem IV.: Kompressor ne deluje.

Razlog: Vklopi se zaščita pred zamudo kompresorja. Torej počakajte 3 minute, da se temperatura zniža, in nato ponovno zaženite stroj.

Težava V.: Daljinski upravljalnik ne deluje.

Razlog 1: Razdalja med strojem in daljinskim upravljalnikom je prevelika. Torej naj se daljinski upravljalnik približa klimatski napravi in se prepričajte, da je daljinski upravljalnik usmerjen direktno v smeri sprejemnika daljinskega upravljalnika.

Razlog 2: Daljinski upravljalnik ni usklajen s smerjo sprejemnika daljinskega upravljalnika. Torej naj se daljinski upravljalnik približa klimatski napravi in se prepričajte, da je daljinski upravljalnik usmerjen direktno v smeri sprejemnika daljinskega upravljalnika.

3. razlog: Baterije so mrtve. Torej, zamenjajte baterije.

Problem V.: Na zaslonu se prikaže: "E1".

Razlog: Senzor temperature cevi je nenormalen. Zato se za pomoč obrnite na strokovno službo.

Problem VI.: Na zaslonu se prikaže: "E2".

Razlog: Senzor sobne temperature je nenormalen. Zato se za pomoč obrnite na strokovno službo.

Opomba: kadar pride do nenormalnih situacij, izklopite stroj in izvlecite vtič, za pomoč pa se obrnite na strokovno službo.

Naprave ne popravljajte sami. Nekvalificirano popravilo bo razveljavilo garancijo.

TEHNIČNI PODATKI:

Kapaciteta hlajenja pri BTU: 12000 BTU / uro

Hladilna zmogljivost v vatih: 3520 W

Poraba energije (hlajenje) v vatih: 1350 W

Pretok zraka: 400 m³ / uro

Kapaciteta sušenja: 28 litrov / 24 ur

Energetski razred: A

Časovnik: 1-24 ure

Hladilno sredstvo: R290, 230 gramov

Raven hrupa: <65 dB

Napetost: 220-240 V ~ 50Hz



Pozor, nevarnost požara

NE prebijajte in ne gorijte.

Bodite pozorni, da hladilno sredstvo morda ne vsebuje vonja.



Starostlivost o životné prostredie. Kartónový obal odovzdajte do zberných surovín. Polyetylénové vrecká (PE) vyhodte do kontajnera na plast.

Opotrebený spotrebič odovzdajte na príslušný zberný dvor, nebezpečné látky spotrebiča môžu predstavovať riziko pre životné prostredie.

Elektrosprebič odstráňte tak, aby nedochádzalo j jeho ďalšiemu použitiu. Ak sa v spotrebiči nachádzajú batérie, vyberte ich a odovzdajte ich na zberné miesto osobitne. Spotrebič nevyhadzujte do kontajnera na komunálny odpad!

ČESKY

OBCENÉ BEZPEČNOSTNÍ PODMÍNKY

DŮLEŽITÉ BEZPEČNOSTNÍ POKYNY PŘEČTĚTE SI opatrně a uložte je pro budoucnost

1. Před použitím zařízení si přečtěte návod k obsluze a postupujte podle pokynů v něm obsažených. Výrobce neodpovídá za škody způsobené používáním zařízení v rozporu s jeho určeným účelem nebo nesprávným provozem.

2. Zařízení je určeno pouze pro domácí použití. Nepoužívejte k jiným účelům, než k zamýšlenému účelu.

3. Zařízení by mělo být připojeno pouze k síťové zásuvce s uzemněným 220 240 V ~ 50 Hz.

Pro zvýšení provozní bezpečnosti by nemělo být současně připojeno více elektrických zařízení na jeden proudový obvod.

4. Při používání zařízení v blízkosti dětí buďte velmi opatrní. Nedovolte dětem, aby si se zařízením hrály, nedovolte dětem nebo osobám neznámým se zařízením, aby jej používaly.

5. **VAROVÁNÍ:** Toto zařízení mohou používat děti starší 8 let a lidé s omezenými fyzickými, smyslovými nebo mentálními schopnostmi nebo lidé, kteří nemají žádné zkušenosti nebo znalosti o vybavení, pokud se tak děje pod dohledem odpovědné osoby. z důvodu jejich bezpečnosti nebo jim byly poskytnuty informace o bezpečném používání zařízení a jsou si vědomy nebezpečí jeho používání. Děti by si s tímto zařízením neměly hrát. Čištění a údržbu zařízení by neměly provádět děti, pokud nejsou starší 8 let a tyto činnosti jsou prováděny pod dohledem.

6. Po použití vždy odpojte napájecí zástrčku tak, že budete držet zásuvku rukou. **NEDOTÝKEJTE** se napájecího kabelu.

7. Kabel, zástrčku a celé zařízení neponořujte do vody ani jiné kapaliny. Nevystavujte zařízení povětrnostním vlivům (déšť, slunce atd.) Ani je nepoužívejte v podmínkách vysoké vlhkosti (koupelny, vlhké mobilní domy).

8. Pravidelně kontrolujte stav napájecího kabelu. Pokud je napájecí kabel poškozen, měl by být vyměněn v odborném servisu, aby nedošlo k nebezpečí.

9. Nepoužívejte spotřebič s poškozeným napájecím kabelem nebo pokud spadl nebo je poškozen jiným způsobem nebo pokud nefunguje správně. Neopravujte zařízení sami, mohlo by dojít k úrazu elektrickým proudem. Poškozené zařízení odнесите do příslušného servisního střediska ke kontrole nebo opravě. Veškeré opravy smí provádět pouze autorizovaný servis. Nesprávně provedené opravy mohou pro uživatele představovat vážné nebezpečí.

10. Umístěte zařízení na chladný, stabilní povrch, mimo horké kuchyňské spotřebiče, jako jsou: elektrický sporák, plynový hořák atd.

11. Ujistěte se, že nic neblokuje přívod a odvod vzduchu ze zařízení

12. Používejte zařízení pouze na rovném povrchu, aby se zabránilo úniku kondenzátu

13. Pro zajištění dodatečné ochrany je vhodné do elektrického obvodu nainstalovat zařízení na proudový chránič (RCD) s jmenovitým zbytkovým proudem nepřesahujícím 30 mA.

Požádejte o to elektrikáře.

14. Pravidelně čistěte vzduchový filtr. Četnost čištění závisí na čistotě vzduchu.

15. Po vypnutí zařízení vyčkejte alespoň 5 minut, než jej znovu zapnete.

16. Nepoužívejte zařízení na slunných místech. Když se zařízení přehřeje, zapne se ochrana proti přehřátí.

17. Pro zajištění účinného chlazení by měla být mezi bočními stěnami zařízení a stěnou nebo nábytkem nebo závěsy dodržena vzdálenost nejméně 50 cm.

18. Vzhledem k omezenému výkonu zařízení, pokud je rozdíl mezi cílovou teplotou a okolní teplotou příliš velký, nemusí být cílové teploty dosaženo.

19. Abyste snížili riziko požáru, úrazu elektrickým proudem nebo zranění při používání klimatizace, dodržujte následující základní opatření:

- a) Připojte k uzemněné zásuvce pomocí 3 pinů.
 - b) Neodstraňujte uzemňovací kolík.
 - c) Nepoužívejte adaptér.
 - d) Nepoužívejte prodlužovací kabel.
 - e) Před údržbou odpojte klimatizaci.
 - f) K přemísťování a instalaci klimatizace použijte dvě nebo více osob.
20. Nepoužívejte prostředky, které urychlují proces odmrazování nebo čištění, než ty, které doporučuje výrobce.
21. Zařízení by mělo být skladováno v místnosti bez stálých provozních zdrojů zapálení, například: otevřený oheň, plynové spotřebiče nebo elektrické ohřívače.

POPIS ZAŘÍZENÍ

1. Ovládací panel
2. Nastavitelný větrací otvor
3. Pouzdro vzduchového filtru
4. Přívod vzduchu
5. Místo zástrčky
6. Výfuková trubka
7. Vypouštěcí otvor pro kontinuální vypouštění vody
8. Vypouštěcí otvor pro úplné vypuštění vody ze zařízení
9. Tlačítko TIMER
10. Tlačítko FAN
11. Tlačítko UP / DOWN pro nastavení teploty a času
12. Tlačítko volby režimu
13. Tlačítko POWER
14. LCD displej
15. Tlačítko vertikální oscilace
16. Tlačítko pro změnu jednotky teploty
17. Tlačítko režimu SLEEP
18. Kontrolka plné nádrže „FL“
19. Výfukové potrubí
20. Sestava desky těsnění okna
21. Pojistný šroub
22. Klínový blok pro horní filtr
23. Klínový blok pro spodní filtr

MONTÁŽ

Před prvním použitím sestavte zařízení následujícím způsobem:

1. Zařízení by mělo být umístěno na rovném povrchu. Vzdálenost od zdi nebo jiných předmětů musí být nejméně 50 cm, aby nedošlo k omezení průtoku vzduchu - viz obrázek 6. Neinstalujte a nepoužívejte zařízení v koupelně nebo v jiných vlhkých prostředích.
2. Namontujte sestavu těsnící desky okna (20):
 - a) Napůl otevřete okno a namontujte sestavu těsnící desky (20) okna k oknu (viz obrázek 5); sestava (20) může být umístěna ve vodorovném a svislém směru.
 - b) Vytáhněte různé komponenty sestavy těsnící desky okna, upravte vzdálenost otevření tak, aby se oba konce sestavy dostaly do kontaktu s rámem okna a upevněte komponenty sestavy.
3. Prodloužte výfukové potrubí (19) a zasuňte plochý konec spojů tepelné trubky do eliptického otvoru sestavy těsnící desky okna (viz obrázek 6).

Poznámky: 1. plochý konec spojů výfukových trubek musí být zaklapnut na místo.

4. Délka výfukové hadice musí být 280 ~ 1500 mm, nesmí být deformována ani nemá podstatné otáčení (větší než 45 °). Výfuk musí být volný; v opačném případě může dojít k přehřátí. Nepoužívejte prodlužovací trubky ani je nevměňujte za jiné hadice, protože to může způsobit poruchu.

PROVOZ ZAŘÍZENÍ

Po připojení zařízení k síti bude bzučák přehrávat hudbu při zapnutí, přejde do pohotovostního režimu a zobrazí aktuální okolní teplotu.

1. Pro zapnutí nebo vypnutí zařízení stiskněte tlačítko (13).
2. Stisknutím tlačítka (12) vyberte jeden z dostupných režimů: COOL -> FAN -> SUCHÉ
3. V režimu COOL nastavte teplotu pomocí tlačítek NAHORU / DOLŮ (11). Není k dispozici v režimu ventilátoru a odvlhčování.)
4. V režimech COOL nebo FAN použijte tlačítko FAN (10) pro nastavení rychlosti ventilátoru: STRONG (F3), MEDIUM (F2), WEAK (F1).

Ovládání rychlosti větru je však omezeno podmínkami proti chladu, za určitých podmínek nemusí fungovat podle nastavené rychlosti větru. V režimu DRY je ventilátor automaticky nastaven na úroveň WEAK.

5. Když je zařízení vypnuto, může být zapnuto se zpožděním stisknutím tlačítka TIMER (9). Stisknutím tlačítek NAHORU / DOLŮ (11) nastavíte čas aktivace zařízení výběrem času v rozsahu 1-24 hodin. Pokud je zařízení zapnuto, lze jej s prodlevou vypnout stisknutím tlačítka TIMER (9). Stisknutím tlačítek NAHORU / DOLŮ (11) nastavíte čas vypnutí přístroje výběrem času v rozsahu 1-24 hodin.
6. Současným stisknutím tlačítek NAHORU (11) a FAN (10) nebo stisknutím tlačítka SLEEP (17) na dálkovém ovládacím přístroji lze přístroj přepnout do režimu spánku. Zařízení pak bude pracovat v režimu úspory energie. Tato funkce je k dispozici pouze v režimu COOL, není k dispozici v režimech FAN a DRY.
7. Jednotky (°C <-> °F) požadované pokojové teploty lze změnit stisknutím tlačítka (16) na dálkovém ovladači nebo současným stisknutím obou tlačítek nahoru (11) a dolů (11) pro přepínání mezi Celsiem (°C) a Fahrenheitem (°F).
8. Stisknutím tlačítka (15) spustíte vzduchovou oscilaci, žaluzie se budou pohybovat svisle. Opětovným stisknutím zastavíte oscilaci vzduchu.

POKyny PRO ODSTRAŇOVÁNÍ

MANUÁLNÍ VYPOUŠTĚNÍ: Pokud voda ve vodní pánvi překročí varovnou úroveň, zařízení automaticky vydá poplach a na LCD displeji (14) se zobrazí „FL“. Rozsvítí se také kontrolka PLNĚ vody (18). Poté zařízení vypněte a vytáhněte zástrčku ze zásuvky. Přemístěte zařízení opatrně, aby se voda nevyvysypala do vodní nádoby na dně krytu. Poté vložte pod vypouštěcí otvor (8) nějaký kontejner (není součástí sady), odšroubujte jej a sejměte uzávěr uzavírající otvor - podívejte se na obrázek 7. Nechte vodu vytéct, během vypouštění může být kryt mírně nakloněn dozadu. Poté znovu nainstalujte a zapněte zařízení.

KONTINUÁLNÍ VYPOUŠTĚNÍ: V režimu COOL a DRY můžete připojit potrubí (není součástí sady) k stálému odtoku - obrázek 9. K tomu odšroubujte a odstraňte uzávěr uzavírající otvor pro kontinuální odtok vody (7). Poté vypusťte vypouštěcí hadici (není součástí sady) do výstupu vody a druhý konec vložte do prostorné nádoby.

OCHRANNÉ ZAŘÍZENÍ

1. Funkce protimrazové ochrany: v režimu chlazení, odvlhčování nebo úsporného režimu, pokud je teplota výfukového potrubí příliš nízká, stroj automaticky přejde do stavu ochrany; pokud teplota výfukového potrubí stoupne na určitou teplotu, může se automaticky vrátit k normálnímu provozu.
2. Funkce ochrany proti přetečení: přečtěte si kapitolu NÁVOD K NÁVRHU. Po vyprázdnění vody se stroj automaticky vrátí do původního stavu.
3. Automatické odmrazování: zařízení má funkci automatického odmrazování: během odmrazování bude na displeji blikat symbol topení.
4. Ochranná funkce kompresoru: pro prodloužení životnosti kompresoru má ochranná funkce spouštění 3 minuty po vypnutí kompresoru.

ČIŠTĚNÍ A ÚDRŽBA

Čištění: Před čištěním a údržbou zařízení vypněte a vytáhněte zástrčku ze zásuvky.

1) Čištění krytu

Vyčistěte povrch přístroje vlhkým měkkým hadříkem. Nepoužívejte chemikálie, jako je benzen, alkohol, benzín, jinak dojde k poškození povrchu zařízení nebo poškození celého zařízení.

2) Čištění síťových filtrů

Pokud je filtr ucpaný prachem, pak se účinnost zařízení sníží. Ujistěte se, že filtr čistíte jednou za dva týdny. Vyjměte rámy horního a dolního filtru po jejich vyjmutí ze zadní strany zařízení - obrázek 8.

* Horní rámeček obrazovky filtru: Přitiskněte klínový blok rámečku obrazovky filtru rukama. Chcete-li odstranit rámeček obrazovky filtru, stiskněte směrem ven. Odšroubujte čtyři šrouby připevňující sítko filtru a zadní kryt k odstranění sítka filtru (viz obrázek 8).

* Spodní rámeček filtru: Uchopte držadlo rámu filtru a jemně jej vytáhněte směrem ven, abyste jej odstranili.

* Vložte obě filtrační sítka do teplé vody s neutrálním čisticím prostředkem (asi 40 °C / 104 °F) a po opláchnutí je osušte ve stínu.

ÚLOŽNÝ PROSTOR

Pokud zařízení nebude dlouho používáno, proveďte následující:

1. Vytáhněte vypouštěcí zátku (8), aby vytékala voda.
2. Nechte zařízení běžet v režimu ventilátoru po dobu 2 hodin, aby vyschlo vnitřní zařízení.
3. Vypněte zařízení a vytáhněte zástrčku.
4. Vyčistěte a vysušte filtry a znovu je nainstalujte.
5. Vytáhněte výfukové potrubí pro bezpečné uložení.
6. Vložte stroj do plastového sáčku a položte jej na suché místo.
7. Vyjměte baterie z dálkového ovladače a řádně je uschovejte.

ŘEŠENÍ PROBLÉMŮ

Problém 1.: Klimatizace nefunguje.

Důvod 1: Není elektřina. Takže ji po připojení k elektrické zásuvce zapněte.

Důvod 2: Kontrolka plné vody zobrazuje "FL". Takže vypusťte vodu.

Důvod 3: V režimu chlazení je pokojová teplota nižší než nastavená teplota. Takže změňte úroveň teploty.

Důvod 4: V režimu odvlhčování je okolní teplota nízká. Vezměte prosím na vědomí, že zařízení je umístěno v místnosti s okolní teplotou vyšší než 17 °C (62 °F).

Důvod 5: Okolní teplota je příliš nízká nebo příliš vysoká. Předpokládaná provozní teplota zařízení je 7-35 °C (44-95 °F).

Problém II.: Chladicí účinek není dobrý.

Důvod 1: Přímé sluneční světlo. Takže nakresliť závěsy.

Důvod 2: Dveře a okna jsou otevřená, v místnosti je mnoho zdrojů tepla. Zavřete tedy dveře a okna, odstraňte zdroje tepla.

Důvod 3: Filtry jsou příliš špinavé. Vyčistěte nebo vyměňte filtry.

Důvod 4: Přívod vzduchu nebo přívod vzduchu je blokováno. Odstraňte zablokování.

Problém III.: Velký hluk

Důvod: Zařízení není umístěno na rovném povrchu. Umístěte zařízení na rovné a tvrdé místo, aby se snížil hluk.

Problém IV.: Kompresor nefunguje.

Důvod: Je zapnuta ochrana zpoždění kompresoru. Počkejte 3 minuty, až se teplota sníží, a poté stroj restartujte.

Problém V.: Dálkové ovládání nefunguje.

Důvod 1: Vzdálenost mezi strojem a dálkovým ovládáním je příliš velká. Nechte dálkový ovladač přiblížit se klimatizace a ujistěte se, že dálkový ovladač směřuje přímo ke směru přijímače dálkového ovládání.

Důvod 2: Dálkové ovládání není vyrovnáno se směrem přijímače dálkového ovládání. Nechte dálkový ovladač přiblížit se klimatizace a ujistěte se, že dálkový ovladač směřuje přímo ke směru přijímače dálkového ovládání.

Důvod 3: Baterie jsou vybité. Vyměňte tedy baterie.

Problém V.: Displej ukazuje: „E1“.

Důvod: Snímač teploty potrubí je neobvyklý. Požádejte proto o pomoc profesionální servis.

Problém VI.: Displej ukazuje: „E2“.

Důvod: Snímač pokojové teploty je neobvyklý. Požádejte proto o pomoc profesionální servis.

Poznámka: Pokud dojde k neobvyklým situacím, vypněte stroj a vytáhněte zástrčku a poté kontaktujte odborný servis.

Neopravujte zařízení sami. Neodborná oprava zruší záruku.

TECHNICKÁ DATA:

Chladicí kapacita na BTU: 12000 BTU / hod

Chladicí výkon ve wattch: 3520 W

Spotřeba energie (chlazení) ve wattch: 1350 W

Průtok vzduchu: 400 m³ / hod

Sušicí kapacita: 28 litrů / 24 hodin

Energetická třída: A

Časovač: 1-24 hodin

Chladicí činidlo: R290, 230 gramů

Hlučnost: <65 dB

Napětí: 220-240 V ~ 50 Hz



Pozor, nebezpečí požáru.

NEPROPOUSTĚTE ani nespalujte.

Uvědomte si, že chladivo nemusí obsahovat zápach.



Staráme se o životní prostředí. Papírové obaly odevzdávejte do sběrných surovin. Polyetylenová balení (PE) vhaďte do odpadkových košů na plasty. Použité zařízení odevzdávejte do sběrného dvoru, protože se v něm mohou nacházet části, které jsou pro životní prostředí škodlivé nebo nebezpečné. Elektrospořiče odevzdávejte v takové podobě, aby bylo znemožněno jejich další použití. Pokud se v zařízení nacházejí baterie, vyjměte je a odevzdejte zvlášť.

DANSKI

GENERELLE SIKKERHEDSBETINGELSER

VIGTIGE SIKKERHEDSINSTRUKTIONER LÆS PERSONLIG OG SPAR FOR FREMTID

1. Før du bruger enheden, skal du læse betjeningsvejledningen og følge instruktionerne i den. Producenten er ikke ansvarlig for skader forårsaget af brug af enheden i modsætning til dets tilsigtede formål eller forkert betjening.
2. Enheden er kun til hjemmebrug. Brug ikke til andre formål, der ikke er beregnet til dets tilsigtede formål.
3. Enheden skal kun tilsluttes en stikkontakt med et jordet 220 240V ~ 50Hz. For at øge driftssikkerheden skal flere elektriske enheder ikke tilsluttes et strømkredsløb på samme tid.
4. Vær meget forsigtig, når du bruger enheden, når børn er i nærheden. Lad ikke børn lege med enheden, lad ikke børn eller personer, der ikke kender enheden, bruge den.
5. ADVARSEL: Dette udstyr kan bruges af børn over 8 år og personer med begrænset fysisk, sensorisk eller mental evne, eller personer, der ikke har erfaring eller viden om

udstyret, hvis dette sker under opsyn af en ansvarlig person for deres sikkerhed eller har fået dem oplysninger om sikker brug af enheden og er opmærksomme på farerne ved at bruge det. Børn bør ikke lege med udstyret. Rengøring og vedligeholdelse af enheden bør ikke udføres af børn, medmindre de er over 8 år gamle, og disse aktiviteter udføres under opsyn.

6. Frakobl altid strømstikket ved at holde stikket med hånden efter brug. Træk IKKE i netledningen.

7. Sænk ikke kablet, stikket og hele enheden i vand eller anden væske. Udsæt ikke enheden for atmosfæriske forhold (regn, sol osv.) Eller brug under forhold med høj luftfugtighed (badeværelser, fugtige mobilhomes).

8. Kontroller periodisk strømkablets tilstand. Hvis strømkablet er beskadiget, skal det udskiftes af et specialværksted for at undgå fare.

9. Brug ikke apparatet med et beskadiget strømkabel, eller hvis det er faldet eller beskadiget på anden måde, eller hvis det ikke fungerer korrekt. Reparer ikke enheden selv, da der er risiko for elektrisk stød. Tag den beskadigede enhed til et passende servicecenter for kontrol eller reparation. Alle reparationer må kun udføres af autoriserede servicepunkter. Forkert udførte reparationer kan medføre alvorlig fare for brugeren.

10. Placer enheden på en kølig, stabil overflade væk fra varme køkkenapparater som: elektrisk komfur, gasbrænder osv.

11. Sørg for, at intet blokerer enhedens luftindtag og udløb

12. Brug kun enheden på en plan overflade for at forhindre, at kondensen spilder ud

13. For at yde yderligere beskyttelse tilrådes det at installere en reststrømsenhed (RCD) i det elektriske kredsløb med en nominel reststrøm på ikke over 30 mA. Spørg en elektriker til dette.

14. Rengør luftfilteret regelmæssigt. Rengøringshyppigheden afhænger af luftens renhed.

15. Efter at have slukket for maskinen, skal du vente mindst 5 minutter, før du tænder den igen.

16. Brug ikke enheden solrige steder. Når enheden overophedes, tændes overophedningsbeskyttelsen enheden.

17. For at sikre effektiv afkøling skal der holdes en afstand på mindst 50cm mellem enhedens sidevægge og væggen eller møbler eller gardiner.

18. På grund af enhedens begrænsede ydeevne, hvis forskellen mellem måltemperaturen og omgivelsestemperaturen er for stor, er måske ikke måltemperaturen nået.

19. For at reducere risikoen for brand, elektrisk stød eller personskade, når du bruger klimaanlægget, skal du følge følgende grundlæggende forholdsregler:

a) Tilslut til et jordet stikkontakt med 3 stifter.

b) Fjern ikke jordforbindelsesstangen.

c) Brug ikke adapteren.

d) Brug ikke en forlængerledning.

e) Frakobl klimaanlægget før service.

f) Brug to eller flere personer til at flytte og installere klimaanlægget.

20. Brug ikke andre midler, der fremskynder afrimnings- eller rengøringsprocessen, bortset fra dem, der er anbefalet af producenten.

21. Enheden skal opbevares i et rum uden konstant drift af antændelseskilder, for eksempel: åben ild, gasapparater eller elektriske opvarmere.

ENHETSBEKRIVELSE

1. Kontrolpanel
2. Justerbar udluftning
3. Luftfilterhus
4. Luftindtag
5. Placer for stikket
6. Udstødningsledning
7. Drænhul til kontinuerlig vandudledning
8. Drænhul for fuldstændig udledning af vand fra enheden
9. TIMER-knap
10. FAN-knap
11. Knappen OP / NED temperatur og tid
12. Valg af MODE-knap
13. POWER-knap
14. LCD-skærm
15. Lodret svingningsknap
16. Knap til ændring af temperaturenheden
17. SLEEP-tilstandsknap
18. Kontrollampe for fuld vandtank "FL"
19. Udstødningsrør
20. Vinduesforseglingspladesamling
21. Sikringskrue
22. Koblingsblok til øverste filter
23. Koblingsblok til lavere filter

SAMLING

Før første brug skal du montere enheden som nedenfor:

1. Enheden skal placeres på en plan overflade. Afstanden til væg eller andre genstande skal være mindst 50 cm for ikke at begrænse luftstrømmen - se på billede 6. Installer og brug ikke enheden i badeværelset eller i andre fugtige miljøer.
 2. Installer vinduesforseglingspladesamlingen (20):
 - a) Åbn vinduet halvt, og monter vinduesforseglingspladesamlingen (20) på vinduet (som vist på billede 5); enheden (20) kan placeres i vandret og lodret retning.
 - b) Træk forskellige komponenter i vinduesforseglingspladesamlingen åben, juster åbningsafstanden for at bringe begge ender af enheden i kontakt med vinduesrammen, og fastgør enhedens komponenter.
 3. Forlæng udstødningsrøret (19), og sæt den flade ende af varmerørledene sammen i det elliptiske hul i vinduesforseglingspladesamlingen (som vist på billede 6).
- Bemærkninger: 1. Den flade ende af udstødningsrørets samlinger skal klikkes på plads.
4. Længden af udstødningsrøret skal være 280 ~ 1.500 mm, den kan ikke forvrænges eller have betydelig drejning (større end 45 °). Udstødning skal være uhindret; ellers kan det forårsage overophedning. Brug ikke forlængelsesrør eller udskift det med andre forskellige slanger, ellers kan dette forårsage en funktionsfejl.

ANVENDELSESFUNKTION

Efter tilslutning af enheden til lysnettet afspiller summeren start-musik, den går i standbytilstand og viser den aktuelle omgivelsestemperatur.

1. Tryk på knappen (13) for at tænde eller slukke for enheden.
2. Tryk på knappen (12) for at vælge en af de tilgængelige tilstande: COOL -> FAN -> DRY
3. Indstil temperaturen ved hjælp af OP / NED-knapperne (11) i COOL-tilstand. Det er ikke tilgængeligt i ventilator- og affugtningsstilstand.)
4. Under COOL- eller FAN-tilstande skal du bruge FAN-knappen (10) til at indstille blæserhastigheden: STERK (F3), MEDIUM (F2), WEAK (F1). Men vindhastighedsdrift er begrænset af antikoldt forhold, under visse betingelser kan det muligvis ikke køre i henhold til den indstillede vindhastighed. I DRY-tilstand indstilles ventilatoren automatisk til niveau WEAK.
5. Når enheden er slukket, kan den tændes med en forsinkelse ved at trykke på TIMER-knappen (9). Tryk på OP / NED-knapperne (11) for at indstille tiden for enheden, der skal aktiveres ved at vælge tiden i intervallet 1-24 timer. Når enheden er tændt, kan den slukkes med forsinkelse ved at trykke på TIMER-knappen (9). Tryk på OP / NED-knapperne (11) for at indstille tiden for enheden, der skal slukkes, ved at vælge tiden i intervallet 1-24 timer.
6. Ved samtidig at trykke på UP-knappen (11) og FAN-knappen (10) eller ved at trykke på knappen SLEEP (17) på fjernbetjeningen kan enheden skiftes til dvaletilstand. Enheden fungerer derefter roligt i energibesparende tilstand. Denne funktion er kun tilgængelig i COOL-

tilstand, ikke tilgængelig i FAN og DRY-tilstande.

7. Enhederne (°C <-> °F) med den krævede rumtemperatur kan ændres ved at trykke på knap (16) på fjernbetjeningen eller samtidig trykke på begge knapper op-tasten (11) og ned-tasten (11) for at skifte mellem Celsius (°C) og Fahrenheit (°F).

8. Tryk på knappen (15) for at starte luftsvingningen, persiennerne bevæger sig lodret. Tryk på den igen for at stoppe luftoscillationen.

DRINAGEINSTRUKTIONER

MANUEL Dræning: Når vand i vandpanden overskrider advarselsniveauet, lyder enheden automatisk en alarm, og LCD-displayet (14) - området viser "FL". Også FULL vandkontrollampe (18) lyser. Sluk derefter for enheden, og tag stikket ud af stikkontakten. Flyt enheden forsigtigt, så man ikke spilder vandet i vandpanden i bunden af huset. Sæt derefter en beholder (ikke inkluderet i sæt) under drænhullet (8), skru det af, og fjern hæften, der lukker åbningen - se på billede 7. Lad vandet hældes ud, under dræning kan huset hældes lidt bagud. Installer det derefter igen, og tænd for enheden.

FORTSAT TÆNDING: I COOL og DRY-tilstand kan du tilslutte røret (ikke inkluderet i sæt) til konstant dræning - billede 9. For at gøre dette skal du skrue ud og fjerne hæften, der lukker åbningen af den kontinuerlige vandafløb (7). Sæt derefter dræningsslange (ikke inkluderet i sæt) i vandudløbet og sæt den anden ende i en rummelig beholder.

BESKYTTELSESANORDNINGER

1. Frostsikringsfunktion: i køling, affugtning eller økonomisk strømbesparende tilstand, hvis temperaturen på udstødningsrøret er for lavt, vil maskinen automatisk gå ind i beskyttelsesstatus; hvis temperaturen på udstødningsrøret stiger til en bestemt temperatur, kan det automatisk vende tilbage til normal drift.

2. Overflowbeskyttelsesfunktion: læs kapitlet DRAINAGEINSTRUKTIONER. Når vandet er tømt, vender maskinen automatisk tilbage til den oprindelige tilstand.

3. Automatisk afrimning: enheden har automatisk afrimningsfunktion: under afrimning blinker varmesymbolet på skærmen.

4. Kompressorens beskyttelsesfunktion: For at øge kompressorens levetid har den en 3-minutters forsinkelse af startbeskyttelsesfunktion, når kompressoren er slukket.

RENGØRING OG VEDLIGEHOLDELSE

Rengøring: Før rengøring og vedligeholdelse, skal du slukke for enheden og tage stikket ud af stikket.

1) Rengøring af boliger

Rengør med enhedens overflade med en våd, blød klud. Brug ikke kemikalier, såsom benzen, alkohol, benzin, ellers vil enhedens overflade blive beskadiget, eller endda hele maskinen vil blive beskadiget.

2) Rengøring af nettofiltre

Hvis filteret er tilstoppet med støv, reduceres enhedens effektivitet. Sørg for at rengøre filteret en gang hver anden uge. Rengør rammerne for øverste og nederste filtre, når du har fjernet dem fra bagsiden af enheden - billede 8.

* Øvre filterskærmsramme: Fastgør kileskærmen på filterskærmsrammen med hænderne. Tving udefra for at fjerne filterskærmsrammen.

Skrue fire skrueer, der fastgør filterskærmen og det bageste hus, for at fjerne filterskærmen (som vist på billede 8).

* Nederste filterskærmsramme: Hold i håndtaget på filterskærmsrammen, og træk den forsigtigt udad for at fjerne den.

* Læg begge filterskærme i varmt vand med neutralt rengøringsmiddel (ca. 40 °C / 104 °F) og tør dem i skyggen efter skylning.

OPBEVARING

Hvis enheden vil være ubrugt i lang tid, skal du gøre som følger:

1. Træk dræningsproppen (8) ud for at strøme vandet ud.
2. Lad enheden køre under ventilatortilstand i 2 timer for at tørre enhedens indvendige ud.
3. Sluk for enheden, og træk stikket ud.
4. Rengør og tør filtre, og installer dem derefter igen.
5. Træk udstødningsrøret ud for sikker opbevaring.
6. Læg maskinen i plastikpose, og anbring den på et tørt sted.
7. Fjern batterierne på fjernbetjeningen, og opbevar dem korrekt.

FEJLFINDING

Problem I.: Klimaanelægget fungerer ikke.

Årsag 1: Der er ingen elektricitet. Så tænd den, når du har tilsluttet den til en stikkontakt med elektricitet.

Årsag 2: Den fulde vandlampe viser "FL". Så uledes vandet.

Årsag 3: I køletilstand er stuetemperaturen lavere end den indstillede temperatur. Så ændre temperatur niveauet.

Årsag 4: I affugtningstilstand er omgivelsestemperaturen lav. Bemærk venligst, at enheden er placeret i et rum med en omgivelsestemperatur på over 62 °F.

Årsag 5: Den omgivende temperatur er for lav eller for høj. Enhedens tilsigtede driftstemperatur er 7-35 °C (44-95 °F).

Problem II.: Køleeffekten er ikke god.

Årsag 1: Direkte sollys. Så tegnet gardinerne.

Årsag 2: Døre og vinduer er åbne, mange varmekilder i rummet. Så luk døren og vinduerne, flyt varmekilderne ud.

Årsag 3: Filtre er for beskidt. Så rengør eller udskift filtre.

Årsag 4: Luftindtag eller luftudtag er blokeret. Så fjern blokering.

Problem III.: Stor støj

Årsag: Enheden er ikke placeret på en plan overflade. Så sæt enheden på et fladt og hårdt sted for at reducere støj.

Problem IV : Kompressor fungerer ikke.

Årsag: Beskyttelse af kompressorens tidsforsinkelse tændes. Så vent i 3 minutter, indtil temperaturen er sænket, og genstart derefter maskinen.

Problem V: Fjernbetjeningen fungerer ikke.

Årsag 1: Afstanden mellem maskinen og fjernbetjeningen er for langt. Så lad fjernbetjeningen komme tæt på klimaanlægget, og sørg for, at fjernbetjeningen vender direkte mod fjernbetjeningsmodtagerens retning.

Årsag 2: Fjernbetjeningen er ikke på linje med fjernbetjeningsmodtagerens retning. Så lad fjernbetjeningen komme tæt på klimaanlægget, og sørg for, at fjernbetjeningen vender direkte mod fjernbetjeningsmodtagerens retning.

Årsag 3: Batterier er døde. Så udskift batterier.

Problem V: Displayet viser: "E1".

Årsag: Rørets temperaturføler er unormal. Så kontakt professionel service for hjælp.

Problem VI : Displayet viser: "E2".

Årsag: Rumtemperaturføleren er unormal. Så kontakt professionel service for hjælp.

Bemærk: Når der opstår unormale situationer, skal du slukke for maskinen og trække stikket ud og derefter kontakte professionel service for at få hjælp.

Reparér ikke enheden selv. Ikke kvalificeret reparation annullerer garantien.

TEKNISK DATA:

Kølekapacitet ved BTU: 12000 BTU / time

Kølekapacitet i watt: 3520 W

Energiforbrug (afkøling) i watt: 1350 W

Luftstrøm: 400 m³ / time

Tørningskapacitet: 28 liter / 24 timer

Energiklasse: A

Timer: 1-24 timer

Kølemiddel: R290, 230 gram

Støjniveau: <65 dB

Spænding: 220-240 V ~ 50Hz



Forsigtig, risiko for brand.

Må IKKE gennembore eller brænde.

Vær opmærksom på, at kølemediet muligvis ikke indeholder en lugt.



Af hensyn til miljøet ..

Venligst overfør papemballager til affaldspapir. Hæld polyethylenposer (PE) i plastbeholderen Slidt enhed skal returneres til det relevante punkt opbevaring, fordi det er farligt i enheden ingredienser kan udgøre en trussel for miljøet. Den elektriske enhed skal overleveres for at begrænse dets genanvendelse og brug. Hvis i enheden der er batterier, fjern dem og vende tilbage til punktet opbevares separat.

ΕΛΛΑΔΑ

ΓΕΝΙΚΕΣ ΠΡΟΫΠΟΘΕΣΕΙΣ ΑΣΦΑΛΕΙΑΣ

ΣΗΜΑΝΤΙΚΕΣ ΟΔΗΓΙΕΣ ΑΣΦΑΛΕΙΑΣ ΔΙΑΒΑΣΤΕ ΠΡΟΣΕΚΤΙΚΑ ΚΑΙ ΦΥΛΑΞΤΕ ΓΙΑ ΜΕΛΛΟΝ

1. Πριν χρησιμοποιήσετε τη συσκευή, διαβάστε το εγχειρίδιο λειτουργίας και ακολουθήστε τις οδηγίες που περιέχει. Ο κατασκευαστής δεν ευθύνεται για ζημιές που προκλήθηκαν από τη χρήση της συσκευής σε αντίθεση με τον προορισμό ή την ακατάλληλη λειτουργία.
2. Η συσκευή προορίζεται μόνο για οικιακή χρήση. Μην χρησιμοποιείτε για άλλους σκοπούς που δεν είναι για τον προορισμό τους.
3. Η συσκευή πρέπει να συνδέεται μόνο σε πρίζα εναλλασσόμενου ρεύματος με γειωμένο 220 240V ~ 50Hz. Για να αυξήσετε την ασφάλεια λειτουργίας, πολλές ηλεκτρικές συσκευές δεν πρέπει να συνδέονται ταυτόχρονα σε ένα κύκλωμα ρεύματος.
4. Να είστε ιδιαίτερα προσεκτικοί όταν χρησιμοποιείτε τη συσκευή όταν τα παιδιά βρίσκονται κοντά. Μην επιτρέπετε στα παιδιά να παίζουν με τη συσκευή, μην επιτρέπετε σε παιδιά ή άτομα που δεν είναι εξοικειωμένα με τη συσκευή να τα χρησιμοποιούν.
5. ΠΡΟΕΙΔΟΠΟΙΗΣΗ: Αυτός ο εξοπλισμός μπορεί να χρησιμοποιηθεί από παιδιά ηλικίας άνω των 8 ετών και άτομα με περιορισμένη σωματική, αισθητηριακή ή νοητική ικανότητα ή άτομα που δεν έχουν εμπειρία ή γνώση του εξοπλισμού, εάν αυτό γίνεται υπό την επίβλεψη υπεύθυνου προσώπου για την ασφάλειά τους ή έχουν λάβει πληροφορίες για

την ασφαλή χρήση της συσκευής και γνωρίζουν τους κινδύνους από τη χρήση της. Τα παιδιά δεν πρέπει να παίζουν με τον εξοπλισμό. Ο καθαρισμός και η συντήρηση της συσκευής δεν πρέπει να εκτελούνται από παιδιά, εκτός αν είναι άνω των 8 ετών και οι δραστηριότητες αυτές εκτελούνται υπό επίβλεψη.

6. Πάντοτε αποσυνδέετε το φις από την πρίζα κρατώντας την υποδοχή με το χέρι σας μετά τη χρήση. ΜΗΝ τραβάτε το καλώδιο τροφοδοσίας.

7. Μη βυθίζετε το καλώδιο, το βύσμα και ολόκληρη τη συσκευή σε νερό ή άλλο υγρό. Μην εκθέτετε τη συσκευή σε ατμοσφαιρικές συνθήκες (βροχή, ήλιο, κ.λπ.) ή σε συνθήκες υψηλής υγρασίας (μπάνια, υγροί κινητοί οικισμοί).

8. Ελέγχετε περιοδικά την κατάσταση του καλωδίου τροφοδοσίας. Εάν το καλώδιο τροφοδοσίας είναι κατεστραμμένο, πρέπει να αντικατασταθεί από ειδικό κατάστημα επισκευής για να αποφευχθεί ο κίνδυνος.

9. Μην χρησιμοποιείτε τη συσκευή με φθαρμένο καλώδιο τροφοδοσίας ή εάν έχει πέσει ή έχει υποστεί ζημιά με οποιονδήποτε άλλο τρόπο ή εάν δεν λειτουργεί σωστά. Μην επισκευάζετε τη συσκευή σας μόνοι σας, καθώς υπάρχει κίνδυνος ηλεκτροπληξίας. Πάρτε την κατεστραμμένη συσκευή σε κατάλληλο κέντρο σέρβις για έλεγχο ή επισκευή. Όλες οι επισκευές πρέπει να εκτελούνται μόνο από εξουσιοδοτημένα σημεία εξυπηρέτησης. Οι εσφαλμένες επισκευές μπορούν να προκαλέσουν σοβαρό κίνδυνο για τον χρήστη.

10. Τοποθετήστε τη συσκευή σε δροσερή, σταθερή επιφάνεια, μακριά από θερμές συσκευές κουζίνας όπως: ηλεκτρική κουζίνα, καυστήρα αερίου κλπ.

11. Βεβαιωθείτε ότι τίποτα δεν εμποδίζει την είσοδο και την έξοδο αέρα της συσκευής

12. Χρησιμοποιείτε τη συσκευή μόνο σε επίπεδη επιφάνεια για να αποφύγετε τη διαρροή της συμπύκνωσης

13. Για την παροχή πρόσθετης προστασίας, συνιστάται η τοποθέτηση συσκευής υπολειπόμενου ρεύματος (RCD) στο ηλεκτρικό κύκλωμα με ονομαστικό υπολειπόμενο ρεύμα που δεν υπερβαίνει τα 30mA. Ρωτήστε έναν ηλεκτρολόγο για αυτό.

14. Καθαρίζετε τακτικά το φίλτρο αέρα. Η συχνότητα καθαρισμού εξαρτάται από την καθαριότητα του αέρα.

15. Αφού απενεργοποιήσετε τη συσκευή, περιμένετε τουλάχιστον 5 λεπτά πριν ενεργοποιήσετε ξανά.

16. Μην χρησιμοποιείτε τη συσκευή σε ηλιόλουστες περιοχές. Όταν η συσκευή υπερθερμανθεί, η προστασία υπερθέρμανσης θα ενεργοποιήσει τη συσκευή.

17. Για να εξασφαλιστεί αποτελεσματική ψύξη, πρέπει να διατηρείται απόσταση τουλάχιστον 50 cm μεταξύ των πλευρικών τοιχωμάτων της συσκευής και του τοίχου ή των επίπλων ή κουρτινών.

18. Λόγω της περιορισμένης απόδοσης της συσκευής, εάν η διαφορά μεταξύ της θερμοκρασίας στόχου και της θερμοκρασίας περιβάλλοντος είναι πολύ μεγάλη, η θερμοκρασία στόχος ενδέχεται να μην είναι εφικτή.

19. Για να μειώσετε τον κίνδυνο πυρκαγιάς, ηλεκτροπληξίας ή τραυματισμού κατά τη χρήση του κλιματιστικού, ακολουθήστε τις ακόλουθες βασικές προφυλάξεις:

α) Συνδέστε σε μια γειωμένη πρίζα με 3 ακίδες.

- β) Μην αφαιρείτε το πέλμα γείωσης.
- γ) Μην χρησιμοποιείτε τον προσαρμογέα.
- δ) Μην χρησιμοποιείτε καλώδιο προέκτασης.
- ε) Αποσυνδέστε το κλιματιστικό πριν από τη συντήρηση.
- στ) Χρησιμοποιήστε δύο ή περισσότερα άτομα για να μετακινήσετε και να εγκαταστήσετε το κλιματιστικό.

20. Μην χρησιμοποιείτε παράγοντες που επιταχύνουν τη διαδικασία απόψυξης ή καθαρισμού εκτός από εκείνες που συνιστώνται από τον κατασκευαστή.

21. Η συσκευή πρέπει να αποθηκεύεται σε ένα δωμάτιο χωρίς συνεχή λειτουργία ανάφλεξης, για παράδειγμα: ανοικτή φωτιά, συσκευές αερίου ή ηλεκτρικοί θερμοαντήρες.

ΠΕΡΙΓΡΑΦΗ ΣΥΣΚΕΥΗΣ

1. Πίνακας ελέγχου
2. Ρυθμιζόμενο άνοιγμα
3. Περιβλήμα φίλτρου αέρα
4. Εισαγωγή αέρα
5. Τοποθετήστε το βύσμα
6. Εξάρτημα σωλήνα εξαγωγής
7. Τρύπα αποστράγγισης για συνεχή εκροή νερού
8. Τρύπα αποστράγγισης για πλήρη εκκένωση νερού από τη συσκευή
9. Κουμπί TIMER
10. Κουμπί FAN
11. Πλήκτρο θερμοκρασίας και ώρας UP / DOWN
12. Πλήκτρο επιλογής MODE
13. Κουμπί POWER
14. Οθόνη LCD
15. Πλήκτρο κάθετης ταλάντωσης
16. Κουμπί για την αλλαγή της μονάδας θερμοκρασίας
17. Κουμπί λειτουργίας SLEEP
18. Πλήρης λυχνία ελέγχου δεξαμενής νερού "FL"
19. Σωλήνας εξάτμισης
20. Συγκρότημα πλάκας σφράγισης παραθύρου
21. Βίδα συγκράτησης
22. Μπλοκ σφήνας για το άνω φίλτρο
23. Ολοκληρωμένο μπλοκ για το κάτω φίλτρο

ΣΥΝΑΡΜΟΛΟΓΗΣΗ

Πριν από την πρώτη χρήση, συναρμολογήστε τη συσκευή ως εξής:

1. Η συσκευή πρέπει να τοποθετηθεί σε επίπεδη επιφάνεια. Η απόσταση από τον τοίχο ή άλλα αντικείμενα πρέπει να είναι τουλάχιστον 50 cm για να μην περιορίζεται η ροή του αέρα - δείτε την εικόνα 6. Μην εγκαθιστάτε και χρησιμοποιείτε τη συσκευή στο μπάνιο ή σε άλλα περιβάλλοντα με υψηλή υγρασία.
2. Τοποθετήστε τη διάταξη της πλάκας στεγανοποίησης παραθύρου (20):
 - α) Ανοίξτε το παράθυρο και τοποθετήστε το συγκρότημα της πλάκας στεγανοποίησης παραθύρου (20) στο παράθυρο (όπως φαίνεται στην εικόνα 5). η διάταξη (20) μπορεί να τοποθετηθεί σε οριζόντια και κατακόρυφη διεύθυνση.
 - β) Τραβήξτε τα διάφορα εξαρτήματα του συγκροτήματος της πλάκας στεγανοποίησης παραθύρου ανοικτά, ρυθμίστε την απόσταση ανοίγματος για να έρθουν σε επαφή τα δύο άκρα του συγκροτήματος με το πλαίσιο του παραθύρου και στερεώστε τα εξαρτήματα του συγκροτήματος.
3. Επιμηκύνετε το σωλήνα εξαγωγής (19) και ασφαλίστε το επίπεδο άκρο των συνδέσεων του σωλήνα θερμότητας στην ελλειπτική οπή του συγκροτήματος της πλάκας στεγανοποίησης παραθύρου (όπως φαίνεται στην εικόνα 6).
Σημειώσεις: 1. Το επίπεδο άκρο των συνδέσεων του σωλήνα εξαγωγής πρέπει να ασφαλίσει στη θέση του.
4. Το μήκος του σωλήνα εξάτμισης πρέπει να είναι 280 ~ 1.500mm, δεν μπορεί να παραμορφωθεί ούτε να έχει σημαντική στροφή (μεγαλύτερη από 45 °). Η εξάτμιση πρέπει να είναι ανεμπόδιστη, διαφορετικά ενδέχεται να προκληθεί υπερθέρμανση. Μην χρησιμοποιείτε σωλήνες προέκτασης ή το αντικαθιστάτε με άλλους διαφορετικούς εύκαμπτους σωλήνες ή αυτό μπορεί να προκαλέσει δυσλειτουργία.

ΛΕΙΤΟΥΡΓΙΑ ΤΗΣ ΣΥΣΚΕΥΗΣ

Αφού συνδέσετε τη συσκευή στο δίκτυο, ο βομβητής θα παίξει μουσική ενεργοποίησης, θα τεθεί σε κατάσταση αναμονής και θα εμφανίσει την τρέχουσα θερμοκρασία περιβάλλοντος.

1. Για να ενεργοποιήσετε ή να απενεργοποιήσετε τη συσκευή, πατήστε το κουμπί (13).
2. Πατήστε το κουμπί (12) για να επιλέξετε μία από τις διαθέσιμες λειτουργίες: COOL -> FAN -> DRY
3. Στη λειτουργία COOL, ρυθμίστε τη θερμοκρασία χρησιμοποιώντας τα πλήκτρα UP / DOWN (11). Δεν διατίθεται σε λειτουργία ανεμιστήρα και αφυγραντήρα.)
4. Κατά τις λειτουργίες COOL ή FAN χρησιμοποιήστε το κουμπί FAN (10) για να ρυθμίσετε την ταχύτητα του ανεμιστήρα: STRONG (F3), MEDIUM (F2), WEAK (F1). Αλλά η λειτουργία της ταχύτητας του ανέμου περιορίζεται από τις αντι-ψυχρές συνθήκες, υπό ορισμένες συνθήκες, μπορεί να μην λειτουργεί σύμφωνα με την καθορισμένη ταχύτητα ανέμου. Στη λειτουργία DRY ο ανεμιστήρας ρυθμίζεται αυτόματα στο επίπεδο WEAK.
5. Όταν η συσκευή είναι απενεργοποιημένη, μπορεί να ενεργοποιηθεί με καθυστέρηση πατώντας το πλήκτρο TIMER (9). Πατήστε τα κουμπιά UP / DOWN (11) για να ρυθμίσετε την ώρα ενεργοποίησης της συσκευής επιλέγοντας την ώρα στην περιοχή των 1-24 ωρών. Όταν η συσκευή είναι ενεργοποιημένη, μπορεί να απενεργοποιηθεί με καθυστέρηση πατώντας το πλήκτρο TIMER (9). Πατήστε τα κουμπιά UP / DOWN (11) για να ρυθμίσετε το χρόνο διακοπής της συσκευής επιλέγοντας το χρονικό διάστημα 1-24 ώρες.
6. Πατώντας ταυτόχρονα το κουμπί UP (11) και το πλήκτρο FAN (10) ή πατώντας το πλήκτρο SLEEP (17) στο τηλεχειριστήριο, η συσκευή μπορεί να τεθεί σε κατάσταση αναστολής λειτουργίας. Στη συνέχεια, η συσκευή θα λειτουργεί θέρμανση από την λειτουργία εξοικονόμησης ενέργειας. Αυτή η λειτουργία είναι διαθέσιμη μόνο στη λειτουργία COOL, η οποία δεν είναι διαθέσιμη σε λειτουργίες FAN και DRY.
7. Οι μονάδες (°C <-> °F) της απαιτούμενης θερμοκρασίας χώρου μπορούν να αλλάξουν πιέζοντας το πλήκτρο (16) στο τηλεχειριστήριο ή ταυτόχρονα πιέζοντας και τα δύο κουμπιά επάνω και κάτω (11) για εναλλαγή μεταξύ Κελσίου (°C) και Φαρενάιτ (°F).
8. Πατήστε το κουμπί (15) για να ξεκινήσετε την ταλάντωση του αέρα, οι περσίδες θα κινούνται κάθετα. Πίστετε το ξανά για να σταματήσετε την ταλάντωση του αέρα.

ΟΔΗΓΙΕΣ ΑΦΑΙΡΕΣΗΣ

ΧΕΙΡΙΣΜΟΣ ΧΕΙΡΙΣΜΟΥ: Όταν το νερό στη δεξαμενή νερού υπερβεί το επίπεδο προειδοποίησης, η συσκευή θα σημάνει αυτόματα ένα συναγερμό και στην περιοχή της οθόνης LCD (14) θα εμφανιστεί η ένδειξη "FL". Επίσης ανάβει η πλήρης λυχνία ελέγχου νερού (18). Στη συνέχεια, απενεργοποιήστε τη συσκευή και αφαιρέστε το φιλτράκι από την πρίζα. Μετακινήστε προσεκτικά τη συσκευή, ώστε να μην χυθεί το νερό στο δοχείο νερού στο κάτω μέρος του περιβλήματος. Στη συνέχεια, τοποθετήστε λίγο δοχείο (δεν περιλαμβάνεται στο σετ) κάτω από την οπή αποστράγγισης (8), ξεβιδώστε το και αφαιρέστε το καπάκι κλείνοντας το άνοιγμα - δείτε την εικόνα 7. Αφήστε το νερό να χυθεί, κατά τη διάρκεια της αποστράγγισης, το περίβλημα μπορεί να γέρνει ελαφρώς προς τα πίσω. Στη συνέχεια, εγκαταστήστε ξανά και ενεργοποιήστε τη συσκευή.

ΣΥΝΕΧΗΣ ΑΠΟΡΡΟΦΗΣΗ: Στη λειτουργία COOL και DRY, μπορείτε να συνδέσετε το σωλήνα (δεν περιλαμβάνεται στο σετ) στη συνεχή αποστράγγιση - εικόνα 9. Για να το κάνετε αυτό, ξεβιδώστε και αφαιρέστε το καπάκι κλείνοντας το άνοιγμα της συνεχούς αποστράγγισης νερού (7). Στη συνέχεια, τοποθετήστε τον εύκαμπτο σωλήνα αποστράγγισης (δεν περιλαμβάνεται στο σετ) στην έξοδο νερού και τοποθετήστε το άλλο άκρο σε ένα ευρύχωρο δοχείο.

ΣΥΣΚΕΥΕΣ ΠΡΟΣΤΑΣΙΑΣ

1. Λειτουργία προστασίας έναντι παγετού: σε περίπτωση ψύξης, αφύγανσης ή εξοικονόμησης ενέργειας, εάν η θερμοκρασία του σωλήνα εξάτμισης είναι πολύ χαμηλή, το μηχανήμα θα εισέλθει αυτόματα στην κατάσταση προστασίας. αν η θερμοκρασία του σωλήνα εξάτμισης ανεβαίνει σε ορισμένη θερμοκρασία, μπορεί αυτόματα να επανέλθει σε κανονική λειτουργία.
2. Λειτουργία προστασίας από υπερχειλίση: διαβάστε κεφάλαιο ΟΔΗΓΙΕΣ ΧΡΗΣΗΣ. Αφού αδειάσει το νερό, το μηχανήμα θα επιστρέψει αυτόματα στην αρχική κατάσταση.
3. Αυτόματη απόψυξη: η συσκευή έχει αυτόματη λειτουργία απόψυξης: κατά τη διάρκεια της απόψυξης, το σύμβολο θέρμανσης στην οθόνη θα αναβοσβήνει.
4. Λειτουργία προστασίας του συμπιεστή: για να αυξήσει τη διάρκεια ζωής του συμπιεστή, διαθέτει λειτουργία προστασίας κατά την εκκίνηση καθυστέρησης 3 λεπτών μετά την απενεργοποίηση του συμπιεστή.

ΚΑΘΑΡΙΣΜΟΣ & ΣΥΝΤΗΡΗΣΗ

Καθαρισμός: πριν από τον καθαρισμό και τη συντήρηση, απενεργοποιήστε τη συσκευή και αποσυνδέστε το φιλτράκι.

1) Ο καθαρισμός του σπιτιού

Καθαρίστε με την επιφάνεια της συσκευής με ένα υγρό μαλακό πανί. Μην χρησιμοποιείτε χημικά, όπως βενζόλιο, αλκοόλ, βενζίνη, αλλιώτικα ή επιφανεία της συσκευής θα πάθει ζημιά ή θα υποστεί ζημιά ολόκληρο το μηχανήμα.

2) καθαρισμός καθαρών φίλτρων

Αν το φίλτρο έχει βουλώσει με σκόνη, τότε αποτελεσματικότητα της συσκευής, καθαρίστε το φίλτρο μία φορά κάθε δύο εβδομάδες. Καθαρίστε τα πάνω και κάτω πλαίσια φίλτρων αφού τα αφαιρέσετε από την πίσω πλευρά της συσκευής - εικόνα 8.

* Κάτω πλαίσιο φίλτρου: Κλείστε το μπλοκ σφηνών του πλαισίου της οθόνης φίλτρου με τα χέρια. Τραβήξτε έξω προς τα έξω για να αφαιρέσετε το πλαίσιο της οθόνης φίλτρου. Ξεβιδώστε τις τέσσερις βίδες που στερεώνουν την οθόνη του φίλτρου και το πίσω περίβλημα για να αφαιρέσετε την οθόνη του φίλτρου (όπως φαίνεται στην εικόνα 8).

* Κάτω πλαίσιο της οθόνης φίλτρου: Κρατήστε τη λαβή του πλαισίου της οθόνης φίλτρου και τραβήξτε την απαλά προς τα έξω για να την αφαιρέσετε.

* Βάλτε και τις δύο οθόνες φίλτρου σε ζεστό νερό με ουδέτερο απορρυπαντικό (περίπου 40 °C / 104 °F) και στεγνώστε τις στη σκιά μετά το ξέπλυμα.

ΑΠΟΘΗΚΕΥΣΗ

Αν η συσκευή δεν χρησιμοποιηθεί για μεγάλο χρονικό διάστημα, κάντε τα εξής:

1. Τραβήξτε το βύσμα αποστράγγισης (8) για να εκρέει νερό.
2. Αφήστε τη συσκευή να λειτουργεί να λειτουργεί ανεμιστήρα για 2 ώρες για να στεγνώσει το εσωτερικό της συσκευής.
3. Απενεργοποιήστε τη συσκευή και τραβήξτε την βύσμα.
4. Καθαρίστε και στεγνώστε τα φίλτρα και στη συνέχεια τοποθετήστε τα ξανά.
5. Τραβήξτε έξω το σωλήνα εξαγωγής για την ασφαλή φύλαξη.
6. Βάλτε τη μηχανή σε πλαστική σακούλα και τοποθετήστε την σε στεγνή θέση.
7. Αφαιρέστε τις μπαταρίες του τηλεχειριστήριου και κρατήστε τις σωστά.

ΑΝΤΙΜΕΤΩΠΙΣΗ ΠΡΟΒΛΗΜΑΤΩΝ

Πρόβλημα I.: Ο κλιματισμός δεν λειτουργεί.

Λόγος 1: Δεν υπάρχει ηλεκτρική ενέργεια. Γι' αυτό, ενεργοποιήστε την μετά τη σύνδεσή της με μια ηλεκτρική πρίζα.

Λόγος 2: Η Λυχνία πλήρους ελέγχου νερού εμφανίζει το μήνυμα "FL". Έτσι, απορρίψτε το νερό.

Λόγος 3: Στη λειτουργία ψύξης, η θερμοκρασία χώρου είναι χαμηλότερη από τη ρυθμισμένη θερμοκρασία. Έτσι, αλλάξτε το επίπεδο θερμοκρασίας.

Λόγος 4: Σε κατάσταση αφυγραντήρα, η θερμοκρασία περιβάλλοντος είναι χαμηλή. Σημειώστε ότι η συσκευή τοποθετείται σε δωμάτιο με θερμοκρασία περιβάλλοντος μεγαλύτερη από 17 °C (62 °F).

Λόγος 5: Η θερμοκρασία περιβάλλοντος είναι πολύ χαμηλή ή πολύ υψηλή. Η προβλεπόμενη θερμοκρασία λειτουργίας της συσκευής είναι 7-35 °C (44-95 °F).

Πρόβλημα II.: Το αποτέλεσμα ψύξης δεν είναι καλό.

Λόγος 1: Άμεσο ηλιακό φως. Έτσι, τραβήξτε τις κουρτίνες.

Λόγος 2: Οι πόρτες και τα παράθυρα είναι ανοιχτά, πολλές πηγές θερμότητας στο δωμάτιο. Έτσι, κλείστε την πόρτα και τα παράθυρα, μετακινήστε τις πηγές θερμότητας.

Λόγος 3: Τα φίλτρα είναι πολύ βρώμικα. Έτσι, καθαρίστε ή αντικαταστήστε τα φίλτρα.

Λόγος 4: Η είσοδος αέρα ή η έξοδος αέρα είναι αποκλεισμένη. Έτσι, αφαιρέστε την απόφραξη.

Πρόβλημα III.: Μεγάλος θόρυβος

Αιτία: Η συσκευή δεν είναι τοποθετημένη σε επίπεδη επιφάνεια. Έτσι, βάλτε τη συσκευή σε ένα επίπεδο και σκληρό μέρος για να μειώσετε το θόρυβο.

Πρόβλημα IV.: Ο συμπιεστής δεν λειτουργεί.

Αιτία: Ενεργοποίηση της προστασίας καθυστέρησης χρόνου συμπιεστή. Επομένως, περιμένετε 3 λεπτά μέχρι να μειωθεί η θερμοκρασία και στη συνέχεια επανεκκινήστε το μηχάνημα.

Πρόβλημα V: Το τηλεχειριστήριο δεν λειτουργεί.

Λόγος 1: Η απόσταση μεταξύ του μηχανήματος και του τηλεχειριστήριου είναι πολύ μεγάλη. Έτσι, αφήστε το τηλεχειριστήριο να πλησιάσει τον κλιματισμό και βεβαιωθείτε ότι το τηλεχειριστήριο κατευθύνεται απ' ευθείας προς την κατεύθυνση του δέκτη του τηλεχειριστήριου.

Λόγος 2: Το τηλεχειριστήριο δεν ευθυγραμμίζεται με την κατεύθυνση του δέκτη του τηλεχειριστήριου. Έτσι, αφήστε το τηλεχειριστήριο να πλησιάσει τον κλιματισμό και βεβαιωθείτε ότι το τηλεχειριστήριο κατευθύνεται απ' ευθείας προς την κατεύθυνση του δέκτη του τηλεχειριστήριου.

Λόγος 3: Οι μπαταρίες είναι νεκρές. Έτσι, αντικαταστήστε τις μπαταρίες.

Πρόβλημα V: Η οθόνη δείχνει: "E1".

Αιτία: Ο αισθητήρας θερμοκρασίας σωλήνα είναι ανώμαλος. Γι' αυτό, επικοινωνήστε με την επαγγελματική υπηρεσία για βοήθεια.

Πρόβλημα VI: Η οθόνη δείχνει: "E2".

Αιτία: Ο αισθητήρας θερμοκρασίας χώρου είναι ανώμαλος. Γι' αυτό, επικοινωνήστε με την επαγγελματική υπηρεσία για βοήθεια.

Σημείωση: Σε περίπτωση μη κανονικών καταστάσεων, απενεργοποιήστε το μηχάνημα και τραβήξτε βύσμα και, στη συνέχεια, επικοινωνήστε με την επαγγελματική υπηρεσία για βοήθεια.

Μην επισκευάζετε τη συσκευή μόνοι σας. Η μη εξουσιοδοτημένη επισκευή θα ακυρώσει την εγγύηση.

ΤΕΧΝΙΚΑ ΔΕΔΟΜΕΝΑ:

Χωρητικότητα ψύξης σε BTU: 12000 BTU / ώρα

Ικανότητα ψύξης σε Watt: 3520 W

Κατανάλωση ενέργειας (ψύξη) σε Watt: 1350 W

Ροή αέρα: 400 m³ / ώρα

Χωρητικότητα στεγνώματος: 28 λίτρα / 24 ώρες

Ενεργειακή κλάση: A

Χρονοδιακόπτης: 1-24 ώρες

Παράγοντας ψύξης: R290, 230 γραμμάρια

Επίπεδο θορύβου: <65dB

Τάση: 220-240 V ~ 50Hz



Προσοχή, κίνδυνος πυρκαγιάς.

MHN τρυπάτε ή καίτε.

Λάβετε υπόψη ότι το ψυκτικό μπορεί να μην περιέχει οσμή.



We geven om het milieu. We vragen u om de kartonnen verpakkingen te storten bij het oud papier. Polyethyleen zakken (PE) storten in de container voor plastic. Versleten apparatuur afgeven bij het juiste verzamelpunt, als in het apparaat gevaarlijke elementen zitten kan dat een bedreiging zijn voor het milieu. Elektrisch apparaat moet worden geretourneerd om het hergebruik te verminderen. Als in het apparaat batterijen zitten, horen die verwijderd te worden en apparaat af te worden gegeven bij het juiste verzamelpunt.

ALGEMENE VEILIGHEIDSVOORWAARDEN

BELANGRIJKE VEILIGHEIDSINSTRUCTIES LEES AANDACHTIG EN BEWAAR VOOR TOEKOMST

1. Lees voordat u het apparaat gebruikt de handleiding en volg de instructies die erin staan. De fabrikant is niet aansprakelijk voor schade veroorzaakt door het gebruik van het apparaat in strijd met het beoogde doel of onjuist gebruik.
2. Het apparaat is alleen voor thuisgebruik. Niet gebruiken voor andere doeleinden die niet voor het beoogde doel zijn.
3. Het apparaat mag alleen worden aangesloten op een stopcontact met een geaarde 220 240V ~ 50Hz. Om de operationele veiligheid te vergroten, mogen meerdere elektrische apparaten niet tegelijkertijd op één stroomcircuit worden aangesloten.
4. Wees uiterst voorzichtig wanneer u het apparaat gebruikt wanneer kinderen in de buurt zijn. Laat kinderen niet met het apparaat spelen, en laat kinderen of mensen die niet bekend zijn met het apparaat het gebruiken.
5. **WAARSCHUWING:** deze apparatuur kan worden gebruikt door kinderen ouder dan 8 jaar en mensen met beperkte fysieke, sensorische of mentale vaardigheden, of mensen die geen ervaring of kennis van de apparatuur hebben, als dit wordt gedaan onder toezicht van een verantwoordelijke persoon voor hun veiligheid of hebben ze informatie gekregen over het veilige gebruik van het apparaat en zijn zich bewust van de gevaren van het gebruik ervan. Kinderen mogen niet met het apparaat spelen. Reiniging en onderhoud van het apparaat mogen niet door kinderen worden uitgevoerd, tenzij ze ouder zijn dan 8 jaar en deze activiteiten worden uitgevoerd onder toezicht.
6. Trek altijd de stekker uit het stopcontact door het stopcontact na gebruik met uw hand vast te houden. Trek NIET aan het netsnoer.
7. Dompel de kabel, de stekker en het hele apparaat niet onder in water of een andere vloeistof. Stel het apparaat niet bloot aan atmosferische omstandigheden (regen, zon, enz.) Of gebruik het niet in omstandigheden met een hoge luchtvochtigheid (badkamers, vochtige stacaravans).
8. Controleer regelmatig de staat van het netsnoer. Als het netsnoer beschadigd is, moet het worden vervangen door een gespecialiseerde reparatiewerkplaats om gevaar te voorkomen.
9. Gebruik het apparaat niet met een beschadigd netsnoer of als het is gevallen of op een andere manier is beschadigd of als het niet goed werkt. Repareer het apparaat niet zelf, want er bestaat een risico op elektrische schokken. Breng het beschadigde apparaat naar een geschikt servicecentrum voor controle of reparatie. Alle reparaties mogen alleen door geautoriseerde servicepunten worden uitgevoerd. Onjuist uitgevoerde reparaties kunnen ernstig gevaar voor de gebruiker veroorzaken.
10. Plaats het apparaat op een koele, stabiele ondergrond, uit de buurt van hete keukenapparatuur zoals: elektrisch fornuis, gasbrander, enz.
11. Zorg ervoor dat niets de luchtinlaat en -uitlaat van het apparaat blokkeert

12. Gebruik het apparaat alleen op een vlakke ondergrond om te voorkomen dat condensatie naar buiten komt
13. Voor extra bescherming is het raadzaam om een aardlekschakelaar (RCD) in het elektrisch circuit te installeren met een nominale reststroom van niet meer dan 30 mA. Vraag hierom een elektricien.
14. Reinig het luchtfilter regelmatig. De frequentie van schoonmaken hangt af van de reinheid van de lucht.
15. Wacht na het uitschakelen van de machine minstens 5 minuten voordat u hem weer inschakelt.
16. Gebruik het apparaat niet op zonnige plaatsen. Wanneer het apparaat oververhit raakt, schakelt de oververhittingsbeveiliging het apparaat in.
17. Voor een effectieve koeling moet een afstand van minimaal 50 cm worden aangehouden tussen de zijwanden van het apparaat en de muur of meubels of gordijnen.
18. Vanwege de beperkte prestaties van het apparaat wordt de doeltemperatuur mogelijk niet bereikt als het verschil tussen de doeltemperatuur en de omgevingstemperatuur te groot is.
19. Neem de volgende basisvoorzorgsmaatregelen in acht om het risico op brand, elektrische schokken of letsel bij het gebruik van de airconditioner te verminderen:
 - a) Sluit aan op een geaard stopcontact met 3 pinnen.
 - b) Verwijder de aardingspen niet.
 - c) Gebruik de adapter niet.
 - d) Gebruik geen verlengsnoer.
 - e) Koppel de airconditioner los voordat u onderhoud uitvoert.
 - f) Gebruik twee of meer mensen om de airconditioner te verplaatsen en te installeren.
20. Gebruik geen andere middelen dan het door de fabrikant aanbevolen ontdooiings- of reinigingsproces.
21. Het apparaat moet worden opgeslagen in een ruimte zonder constant werkende ontstekingsbronnen, bijvoorbeeld: open vuur, gastoestellen of elektrische kachels.

APPARAAT BESCHRIJVING

1. Configuratiescherm
2. Verstelbare ventilatie
3. Luchtfilterhuis
4. Luchtinlaat
5. Plaats voor de stekker
6. Uitlaatpijpfitting
7. Afvoergat voor continue waterafvoer
8. Afvoergat voor volledige afvoer van water uit het apparaat
9. TIMER knop
10. FAN-knop
11. Knop OMHOOG / OMLAAG temperatuur en tijd
12. MODE keuzeknop
13. AAN / UIT-knop
14. LCD-scherm
15. Verticale oscillatieknop
16. Knop voor het wijzigen van de temperatuureenheid
17. SLEEP-modusknop
18. Controlelampje volle watertank "FL"

19. Uitlaatpijp
20. Assemblage van vensterafdichtplaat
21. Bevestigingsschroef
22. Wigblok voor bovenste filter
23. Klemblok voor onderste filter

IN ELKAAR ZETTEN

Monteer het apparaat voor het eerste gebruik zoals hieronder:

1. Het apparaat moet op een vlakke ondergrond worden geplaatst. De afstand tot de muur of andere objecten moet minimaal 50 cm zijn om de luchtstroom niet te beperken - zie afbeelding 6. Installeer en gebruik het apparaat niet in de badkamer of een andere vochtige omgeving.
 2. Installeer de raamafdichtplaatconstructie (20):
 - a) Open het venster half en bevestig het raamafdichtingsamenstel (20) aan het venster (zoals getoond op afbeelding 5); het samenstel (20) kan in horizontale en verticale richting worden geplaatst.
 - b) Trek verschillende componenten van de raamafdichtplaatconstructie open, stel de openingsafstand in om beide uiteinden van de assemblage in contact te brengen met het raamkozijn en bevestig componenten van de assemblage.
 3. Verleng de uitlaatpijp (19) en klik het platte uiteinde van de warmtepijpvverbindingen in het elliptische gat van de raamafdichtingsplaat (zoals getoond op afbeelding 6).
- Opmerkingen: 1. Het platte uiteinde van de uitlaatpijpvverbindingen moet op zijn plaats worden geklikt.
4. De lengte van de uitlaatslang moet 280 ~ 1500 mm zijn, deze kan niet worden vervormd noch aanzienlijk draaien (groter dan 45 °). De uitlaat moet vrij zijn; anders kan dit oververhitting veroorzaken. Gebruik geen verlengbuizen of vervang deze door andere slangen, anders kan er een storing optreden.

WERKING VAN HET APPARAAT

Nadat het apparaat op het lichtnet is aangesloten, speelt de zoemer power-on muziek af, gaat deze in de standby-modus en geeft de huidige omgevingstemperatuur weer.

1. Druk op de knop (13) om het apparaat in of uit te schakelen.
2. Druk op de knop (12) om een van de beschikbare modi te selecteren: KOEL -> VENTILATOR -> DROOG
3. Stel in de COOL-modus de temperatuur in met de knoppen OMHOOG / OMLAAG (11). Het is niet beschikbaar in de ventilator- en ontvochtigingsmodus.)
4. Gebruik tijdens de COOL- of FAN-modus de FAN-knop (10) om de ventilatorsnelheid in te stellen: STERK (F3), MEDIUM (F2), ZWAK (F1). Maar windsnelheid wordt beperkt door anti-koude omstandigheden, onder bepaalde omstandigheden kan het niet werken volgens de ingestelde windsnelheid. In de DRY-modus wordt de ventilator automatisch ingesteld op niveau ZWAK.
5. Wanneer het apparaat is uitgeschakeld, kan het met een vertraging worden ingeschakeld door op de TIMER-knop (9) te drukken. Druk op de knoppen OMHOOG / OMLAAG (11) om de tijd in te stellen waarop het apparaat moet worden geactiveerd door de tijd in het bereik van 1-24 uur te selecteren. Wanneer het apparaat is ingeschakeld, kan het met vertraging worden uitgeschakeld door op de TIMER-knop (9) te drukken. Druk op de knoppen OMHOOG / OMLAAG (11) om de tijd in te stellen waarop het apparaat moet worden uitgeschakeld door de tijd in het bereik van 1-24 uur te selecteren.
6. Door gelijktijdig op de UP-knop (11) en de FAN-knop (10) te drukken of door op de knop SLEEP (17) op de afstandsbediening te drukken, kan het apparaat in de slaapstand worden geschakeld. Het apparaat werkt dan stil in de energiebesparende modus. Deze functie is alleen beschikbaar in de COOL-modus, niet beschikbaar in de FAN- en DRY-modi.
7. De eenheden (°C <-> °F) van de gewenste kamertemperatuur kunnen worden gewijzigd door op knop (16) op de afstandsbediening te drukken of tegelijkertijd op beide knoppen omhoog (11) en omlaag (11) drukken om tussen Celsius (°C) te schakelen. en Fahrenheit (°F).
8. Druk op de knop (15) om de luchtoscillatie te starten, de jaloeziën zullen verticaal bewegen. Druk nogmaals om de luchtoscillatie te stoppen.

AFVOERINSTRUCTIES

HANDMATIGE AFVOER: Wanneer het water in de waterbak het waarschuwniveau overschrijdt, laat het apparaat automatisch een alarm horen en toont het LCD-display (14) "FL". Ook zal het VOLLEDIGE watercontrolelampje (18) oplichten. Schakel vervolgens het apparaat uit en haal de stekker uit het stopcontact. Verplaats het apparaat voorzichtig, zodat er geen water in de waterbak aan de onderkant van de behuizing wordt gemorst. Plaats vervolgens een bakje (niet inbegrepen in de set) onder het afvoergat (8), draai het los en verwijder de dop die de opening sluit - zie afbeelding 7. Laat het water weglopen, tijdens de afwatering kan de behuizing iets naar achteren worden gekanteld. Installeer het vervolgens opnieuw en schakel het apparaat in.

CONTINUE AFVOER: In de modus KOEL en DROOG kunt u de buis (niet inbegrepen in de set) aansluiten op de constante afvoer - afbeelding 9. Draai hiervoor de dop los en verwijder de dop die de opening van de continue waterafvoer sluit (7). Plaats vervolgens de afvoerslang (niet inbegrepen in de set) in de wateruitlaat en plaats het andere uiteinde in een ruim vat.

BESCHERMINGSAPPARATEN

1. Vorstbeschermingsfunctie: in koeling, ontvochtiging of economische energiebesparende modus, als de temperatuur van de uitlaatpijp te laag is, zal de machine automatisch de beschermingsstatus ingaan; als de temperatuur van de uitlaatpijp tot een bepaalde temperatuur stijgt, kan deze automatisch terugkeren naar normaal bedrijf.
2. Overloopbeveiligingsfunctie: lees hoofdstuk AFVOERINSTRUCTIES. Nadat het water is geleegd, keert de machine automatisch terug naar de oorspronkelijke staat.
3. Automatisch ontdooien: het apparaat heeft een automatische ontdooifunctie: tijdens het ontdooien knippert het verwarmingssymbool op

- het display.
4. Beveiligingsfunctie van de compressor: om de levensduur van de compressor te verlengen, heeft deze een opstartbeschermingsfunctie van 3 minuten nadat de compressor is uitgeschakeld.

REINIGING & ONDERHOUD

Reiniging: schakel het apparaat uit en haal de stekker uit het stopcontact voor reiniging en onderhoud.

1) Reiniging van de behuizing

Reinig het oppervlak van het apparaat met een natte zachte doek. Gebruik geen chemicaliën, zoals benzeen, alcohol, benzine, anders raakt het oppervlak van het apparaat beschadigd of zelfs de hele machine.

2) Reiniging van netfilters

Als het filter verstopt is met stof, neemt de effectiviteit van het apparaat af. Reinig het filter om de twee weken. Reinig de bovenste en onderste filterkaders nadat u deze aan de achterkant van het apparaat hebt verwijderd - afbeelding 8.

* Bovenste filterschermframe: grijp het wigblok van het filterschermframe met handen vast. Forceer van buiten naar beneden om het filterschermframe te verwijderen. Draai de vier schroeven los waarmee het filterscherm en de achterbehuizing zijn bevestigd om het filterscherm te verwijderen (zie afbeelding 8).

* Onderste filterschermframe: houd de hendel van het filterschermframe vast en trek het voorzichtig naar buiten om het te verwijderen.

* Plaats beide filterzeven in warm water met een neutraal reinigingsmiddel (ongeveer 40 ° C / 104 ° C) en droog ze na het spoelen in de schaduw.

OPSLAG

Ga als volgt te werk als het apparaat lange tijd niet wordt gebruikt:

1. Trek de aftapplug (8) eruit om water weg te laten stromen.
2. Laat het apparaat gedurende 2 uur in de ventilatormodus draaien om de interne van het apparaat uit te drogen.
3. Schakel het apparaat uit en trek de stekker uit het stopcontact.
4. Maak de filters schoon en droog en installeer ze opnieuw.
5. Trek de uitlaatpijp eruit voor een veilige bewaring.
6. Plaats de machine in een plastic zak en plaats deze op een droge plaats.
7. Verwijder de batterijen van de afstandsbediening en bewaar ze op de juiste manier.

PROBLEEMOPLOSSEN

Probleem I.: De airconditioning werkt niet.

Reden 1: Er is geen elektriciteit. Dus schakel het in nadat u het hebt aangesloten op een stopcontact met elektriciteit.

Reden 2: De controlelamp water vol geeft "FL" weer. Dus lozen het water.

Reden 3: In de koelmodus is de kamertemperatuur lager dan de ingestelde temperatuur. Verander dus het temperatuurniveau.

Reden 4: In de ontvochtigingsmodus is de omgevingstemperatuur laag. Houd er rekening mee dat het apparaat in een ruimte met een omgevingstemperatuur hoger dan 17 ° C (62 ° F) wordt geplaatst.

Reden 5: de omgevingstemperatuur is te laag of te hoog. De beoogde bedrijfstemperatuur van het apparaat is 7-35 ° C (44-95 ° F).

Probleem II.: Het koeleffect is niet goed.

Reden 1: Direct zonlicht. Dus, trek de gordijnen dicht.

Reden 2: Deur en ramen staan open, veel warmtebronnen in de kamer. Sluit dus de deur en de ramen en verwijder warmtebronnen.

Reden 3: Filters zijn te vuil. Maak dus filters schoon of vervang ze.

Reden 4: Luchtinlaat of luchtuitlaat is geblokkeerd. Dus verwijder blokkade.

Probleem III.: Big Noise

Reden: het apparaat is niet op een vlakke ondergrond geplaatst. Plaats het apparaat dus op een vlakke en harde plaats om ruis te verminderen.

Probleem IV.: Compressor werkt niet.

Reden: tijdvertragsbeveiliging compressor ingeschakeld. Wacht dus 3 minuten totdat de temperatuur is verlaagd en start de machine vervolgens opnieuw.

Probleem V.: De afstandsbediening werkt niet.

Reden 1: De afstand tussen het apparaat en de afstandsbediening is te groot. Laat de afstandsbediening dus dicht bij de airconditioning komen en zorg ervoor dat de afstandsbediening direct in de richting van de ontvanger van de afstandsbediening is gericht.

Reden 2: De afstandsbediening is niet uitgelijnd met de richting van de ontvanger van de afstandsbediening. Laat de afstandsbediening dus dicht bij de airconditioning komen en zorg ervoor dat de afstandsbediening direct in de richting van de ontvanger van de afstandsbediening is gericht.

Reden 3: batterijen zijn leeg. Vervang dus de batterijen.

Probleem V.: Display toont: "E1".

Reden: de pijptemperatuursensor is abnormaal. Neem dus contact op met professionele service voor hulp.

Probleem VI.: Display toont: "E2".

Reden: de kamertemperatuursensor is abnormaal. Neem dus contact op met professionele service voor hulp.

Opmerking: als er zich abnormale situaties voordoen, schakel dan de machine uit en trek de stekker uit het stopcontact, neem dan contact op met professionele service voor hulp.

Repareer het apparaat niet zelf. Niet gekwalificeerde reparatie maakt de garantie ongeldig.

TECHNISCHE DATA:

Koelcapaciteit bij BTU: 12000 BTU / uur
Koelvermogen in watt: 3520 W
Energieverbruik (koeling) in watt: 1350 W
Luchtstroom: 400 m3 / uur
Droogcapaciteit: 28 liter / 24 uur
Energieklasse: A
Timer: 1-24 uur
Koelmiddel: R290, 230 gram
Geluidsniveau: <65dB
Voltage: 220-240 V ~ 50Hz



Let op, brandgevaar.
NIET doorboren of verbranden.
Houd er rekening mee dat het koelmiddel mogelijk geen
geur bevat.



We geven om het milieu. We vragen u om de kartonnen verpakkingen te storten bij het oud papier. Polyethyleen zakken (PE) storten in de container voor plastic. Versleten apparatuur afgeven bij het juiste verzamelpunt, als in het apparaat gevaarlijke elementen zitten kan dat een bedreiging zijn voor het milieu. Elektrisch apparaat moet worden geretourneerd om het hergebruik te verminderen. Als in het apparaat batterijen zitten, horen die verwijderd te worden en apart af te worden gegeven bij het juiste verzamelpunt.

СРПСКИ

ОПШТИ УСЛОВИ СИГУРНОСТИ ВАЖНЕ БЕЗБЕДНОСНЕ УПУТЕ ПРОЧИТАЈТЕ УПОЗОРЕЊЕ И УШТЕДИТЕ БУДУЋНОСТ

1. Пре употребе уређаја, прочитајте упутство за употребу и следите упутства која се налазе у њему. Произвођач није одговоран за штету насталу употребом уређаја супротно његовој предвиђеној намени или неправилном раду.
2. Уређај је намењен само за кућну употребу. Не употребљавајте у друге сврхе које нису предвиђене.
3. Уређај треба да буде повезан на наизменичну струју са уземљеним 220 240V ~ 50Хз. Да би се повећала оперативна сигурност, више електричних уређаја не би требало истовремено да буде повезано на један струјни круг.
4. Будите изузетно опрезни када користите уређај када су деца у близини. Не дозволите деци да се играју са уређајем, не дозволите деци или особама које нису упознате са уређајем да га користе.
5. УПОЗОРЕЊЕ: Ову опрему могу користити деца старија од 8 година и особе ограничене физичке, сензорне или менталне способности, или људи који немају искуства или знање о опреми, ако се то ради под надзором одговорне особе ради њихове сигурности или су им одобрени подаци о сигурној употреби уређаја и свесни су опасности употребе уређаја. Деца се не смеју играти са опремом. Чишћење и одржавање уређаја не би требало да раде деца, осим ако су старија од 8 година и ове активности се изводе под надзором.
6. Увек искључите утикач држећи утичницу руком након употребе. НЕ повлачите кабл за напајање.
7. Не урањајте кабл, утикач и цео уређај у воду или било коју другу течност. Не излажите уређај атмосферским условима (киша, сунце итд.) И не користите у условима високе влажности (купатила, влажне мобилне кућице).

8. Повремено проверите стање кабла за напајање. Ако је кабл за напајање оштећен, замените га у специјалном сервису да бисте избегли опасност.
9. Не користите уређај са оштећеним каблом за напајање или ако је пао или оштећен на било који други начин или ако не ради исправно. Не поправљајте уређај сами јер постоји опасност од електричног удара. Оштећени уређај однесите у одговарајући сервисни центар ради провере или поправке. Све поправке смеју обављати само овлашћени сервиси. Неправилно извршени поправци могу озбиљно опасити за корисника.
10. Уређај поставите на хладну и стабилну површину, даље од врућих кухињских уређаја као што су: електрични шпорет, плински горионик итд.
11. Пазите да ништа не блокира довод и излаз ваздуха уређаја
12. Користите уређај само на равној површини како бисте спречили да се кондензат пролије
13. Да бисте обезбедили додатну заштиту, препоручљиво је да у електрични круг инсталирате уређај за заосталу струју (РЦД) са називно заосталом струјом која не прелази 30mA. Питајте за то електричара.
14. Редовно чистите ваздушни филтер. Учесталост чишћења зависи од чистоће ваздуха.
15. Након што искључите машину, сачекајте најмање 5 минута пре него што је поново укључите.
16. Не користите уређај на сунчаним местима. Када се уређај прегреје, укључиће се заштита од прегревања.
17. Да би се осигурало ефикасно хлађење, између бочних зидова уређаја и зида или намештаја или завеса треба да се задржи најмање 60 цм.
18. Због ограничених перформанси уређаја, ако је разлика између циљне температуре и температуре околине превелика, циљна температура можда неће бити достигнута.
19. Да бисте смањили ризик од пожара, струјног удара или повреда приликом коришћења клима уређаја, придржавајте се следећих основних мера предострожности:
 - а) Спојите на уземљену утичницу са 3 пина.
 - б) Не уклањајте уземљење.
 - ц) Не користите адаптер.
 - д) Не користите продужни кабел.
 - е) Искључите клима уређај прије сервисирања.
 - ф) Користите две или више особа за померање и инсталирање клима уређаја.
20. Не користите средства која убрзавају процес одмрзавања или чишћења другачија од оних које препоручује произвођач.
21. Уређај треба складиштити у просторији без стално делујућих извора паљења, на пример: отворена ватра, гасни уређаји или електрични грејачи.

ОПИС УРЕЂАЈА

1. Контролна табла
2. Подесиви отвор
3. Кућиште филтера за ваздух
4. Довод ваздуха
5. Поставите утикач
6. Прикључак издувних цеви
7. Дренажни отвор за континуирано испуштање воде
8. Дренажни отвор за потпуно испуштање воде из уређаја
9. Тастер ТИМЕР
10. Дугме ФАН
11. Гумб за горњу / доњу температуру и време
12. Тастер за избор МОДЕ-а
13. Тастер ПОВЕР
14. ЛЦД екран
15. Дугме за вертикално осцилацију
16. Дугме за промену јединице температуре
17. Дугме за режим СЛЕЕП
18. Потпуна контролна лампица резервоара за воду „ФЛ“
19. Издувна цев
20. Склоп плоче за бртвљење прозора
21. Држач вијка
22. Блок за клин горњег филтра
23. Блок за клин доњег филтра

САСТАВЉАЊЕ

Пре прве употребе, монтирајте уређај на следећи начин:

1. Уређај треба поставити на равну површину. Удаљеност од зида или других предмета мора бити најмање 50 цм да не бисте ограничили проток ваздуха - погледајте слику 6. Уређај не постављајте и не употребљавајте у купатилу или другим високим влажним окружењима.
2. Уградите склоп за бртвљење прозора (20):
 - а) Отворите половину прозора и монтирајте склоп заптивне плоче (20) на прозор (као што је приказано на слици 5); склоп (20) се може поставити у хоризонталном и вертикалном смеру.
 - б) Отворите разне компоненте склопа за бртвљење прозора отвореном, подесите удаљеност отварања тако да оба краја склопа дођу у контакт са оквиром прозора и фиксирајте компоненте склопа.
3. Издужите издувну цев (19) и гурните равни крај спојница топлетне цеви у елиптични отвор склопа плоче за заптивање прозора (као што је приказано на слици 6).
Напомене: 1. равни крај зглобова издувне цеви мора да се ускочи на своје место.
4. Дужина издувног црева мора бити 280 ~ 1.500 мм, не може се изолбирити нити имати значајно окретање (веће од 45 °). Испух мора бити неометан; у супротном може проузроковати прегревање. Не користите продукне цеви и не замените га другим другим цревима, јер то може проузроковати квар.

ПОСЛОВАЊЕ УРЕЂАЈА

Након што уређај повежете са мрежом, звучни сигнал ће пуштати музику која укључује напајање, прећи ће у стање приправности и приказати тренутну температуру околине.

1. Да бисте укључили или искључили уређај, притисните дугме (13).
2. Притисните дугме (12) да бисте одабрали један од доступних режима: ЦООЛ -> ФАН -> ДРИ
3. У режиму ЦООЛ подесите температуру помоћу типки ГОРЕ / ДОЉЕ (11). Није доступан у режиму вентилатора и одвлаживања.)
4. Током ЦООЛ или ФАН режима, притисните тастер ФАН (10) за подешавање брзине вентилатора: СТРОНГ (Ф3), МЕДИУМ (Ф2), ВЕАК (Ф1). Али рад брзине ветра ограничен је условима против хладноће, под одређеним условима се можда неће одвијати у складу са постављеном брзином ветра. У ДРИ моду вентилатор се аутоматски поставља на ниво СЛАБО.
5. Када је уређај искључен, може се укључити са закашњењем притиском на дугме ТИМЕР (9). Притисните типке ГОРЕ / ДОЉЕ (11) да подесите вријеме активирања уређаја одабиром времена у распону од 1-24 сата. Када је уређај укључен, може се искључити са закашњењем притиском на дугме ТИМЕР (9). Притисните типке ГОРЕ / ДОЉЕ (11) да бисте подесили време искључивања уређаја одабиром времена у распону од 1-24 сата.
6. Притиском истовремено типке УП (11) и типке ФАН (10) или притиском на типку СЛЕЕП (17) на даљинском управљачу уређај се може пребацити у стање мировања. Уређај ће тада тихо радити у режиму уштеде енергије. Ова функција је доступна само у режиму хлађења, није доступна у режимима вентилатора и сушења.
7. Јединице (°C <-> °F) потребне собне температуре могу се мењати притиском на дугме (16) на даљинском управљачу или истовремено притиском оба тастера горе (11) и надоле (11) за пребацивање између Целзијуса (°C) и Фахренхеит (°F).
8. Притисните дугме (15) да покренете осцилацију ваздуха, ролетне ће се кретати вертикално. Поново га притисните да зауставите осцилацију ваздуха.

УПУТЕ ЗА ДРЖАВЕ

РУЧНО ОДУЗИМАЊЕ: Када вода у посуди за воду пређе ниво упозорења, уређај ће аутоматски огласити аларм, а на ЛЦД екрану (14) приказаће се „ФЛ“. Такође ће се упалити ПОТПУНА контролна лампица воде (18). Затим искључите уређај и извадите утикач из утичнице. Пажљиво померајте уређај да не би просули воду у посуду за воду на дну кућишта. Затим ставите неки контејнер (није у комплекту) испод одводне рупе (8), одвијте га и уклоните поклопац који затвара отвор - погледајте слику 7. Нека вода излије, током дренаже, кућиште се може мало нагнути према назад. Затим га поново инсталирајте и укључите уређај.

Континуирана одводњавање: У режиму хлађења и сушења можете спојити цев (није у комплекту) на константну одводњу - слика 9. Да бисте то учинили, одвијте и уклоните поклопац затварајући отвор непрекидне одводне воде (7). Затим поставите одводно цедро (које није укључено у комплет) у излаз за воду, а други крај ставите у велику посуду.

УРЕЂАЈИ ЗА ЗАШТИТУ

1. Функција заштите од смрзавања: у режиму хлађења, одвлаживања или економичне уштеде енергије, ако је температура издувне цеви прениска, машина ће аутоматски ући у заштитни статус; ако температура издувне цеви порасте на одређену температуру, може се аутоматски вратити у нормалан рад.
2. Функција заштите од прелијевања: прочитајте поглавље УПУТСТВА ЗА ДРЖАВЕ. Након што се вода испразни, машина ће се аутоматски вратити у првобитно стање.
3. Аутоматско одмрзавање: уређај има функцију аутоматског одмрзавања: током одмрзавања ће на екрану трептати симбол за загревање.
4. Функција заштите компресора: како би се повећао радни век компресора, он има функцију заштите од покретања од 3 минуте одлагања након искључивања компресора.

ЧИШЋЕЊЕ И ОДРЖАВАЊЕ

Чишћење: пре чишћења и одржавања, искључите уређај и ископчајте утикач.

1) Чишћење кућишта

Очистите површином уређаја влажном меком крпом. Не користите хемикалије, попут бензена, алкохола, бензина, у супротном ће се површина уређаја оштетити или чак цела машина бити оштећена.

2) Чишћење мрежног филтера

Ако је филтер зачепљен прашином, тада је ефикасност уређаја смањена, обавезно очистите филтер једном у две недеље.

Очистите горњи и доњи оквир филтера након што их уклоните са стражње стране уређаја - слика 8.

* Горњи оквир екрана филтера: Закачите блок клина оквира филтера рукама. Присилите се извана да уклоните оквир екрана филтера. Одвијте четири вијка који причвршћују екран филтера и задњи кућиште да бисте уклонили заслон филтера (као што је приказано на слици 8).

* Доњи оквир екрана филтера: Држите ручицу оквира екрана филтера и лагано га извуците према ван да бисте га уклонили.

* Оба филтера ставите у топлу воду са неутралним детерџентом (око 40 °C / 104 °F) и осушите их у хладу након чишћења.

СКЛАДИШТЕ

Ако се уређај неће дуго користити, учините следеће:

1. Извуците чеп за одвод (8) да бисте испуштали воду.
2. Пустите да уређај ради под вентилатором 2 сата како би се осушио унутрашњост уређаја.
3. Искључите уређај и извуците утикач.
4. Очистите и осушите филтере, а затим их поново инсталирајте.
5. Извуците издувну цев за сигурно држање.
6. Ставите машину у пластичну кесу и ставите је на суво место.
7. Уклоните батерије даљинског управљача и правилно их држите.

РЕШАВАЊЕ ПРОБЛЕМА

Проблем И.: Клима не ради.

Разлог 1: Нема струје. Дакле, укључите га након што га прикључите у утичницу са струјом.

Разлог 2: Лампица пуне воде приказује "ФЛ". Дакле, испустите воду.

Разлог 3: У режиму хлађења, собна температура је нижа од постављене. Дакле, промените ниво температуреуре.

Разлог 4: У режиму одвлаживања ваздух је температура околине ниска. Имајте на уму да се уређај поставља у просторију са собном температуром већом од 17 °C (62 °F).

Разлог 5: Температура околине је прениска или превисока. Предвиђена радна температура уређаја је 7-35 °C (44-95 °F).

Проблем ИИ.: Ефекат хлађења није добар.

Разлог 1: Директна сунчева светлост. Дакле, нацртали су завесе.

Разлог 2: Врата и прозори су отворени, многи извори топлоте у соби. Дакле, затворите врата и прозоре, премјестите изворе топлоте.

Разлог 3: Филтери су превише прљави. Дакле, очистите или замените филтере.

Разлог 4: Улаз или излаз зрака је блокиран. Дакле, уклоните блокаду.

ИИИ проблем: велики шум

Разлог: Уређај није постављен на равну површину. Дакле, ставите уређај на равно и тврдо место да бисте смањили буку.

Проблем ИВ.: Компресор не ради.

Разлог: укључује се заштита од временског кашњења компресора. Дакле, сачекајте 3 минута док се температура не спусти, а затим поново покрените машину.

Проблем В. Даљински управљач не ради.

Разлог 1: Удаљеност између машине и даљинског управљача је превелика. Дакле, пустите даљински управљач да се приближи клима уређају и проверите да ли је даљински управљач директно окренут према правцу пријемника даљинског управљача.

Разлог 2: Даљински управљач није усклађен са правцем пријемника даљинског управљача. Дакле, пустите даљински управљач да се приближи клима уређају и проверите да ли је даљински управљач директно окренут према правцу пријемника даљинског управљача.

Разлог 3: Батерије су мртве. Дакле, замените батерије.

Проблем В.: На екрану се приказује: „E1“.

Разлог: Сензор температуре цеви је ненормалан. Дакле, обратите се стручној служби за помоћ.

Проблем ВИ.: На екрану се приказује: „E2“.

Разлог: Сензор собне температуре је ненормалан. Дакле, обратите се стручној служби за помоћ.

Напомена: када се појаве ненормалне ситуације, искључите машину и извучите утикач, а затим се обратите за помоћ професионалном сервису.

Не поправљајте уређај сами. Неквалификовано поправљање поништава гаранцију.

ТЕХНИЧКИ ПОДАЦИ:

Капацитет хлађења на БТУ: 12000 БТУ / сат

Капацитет хлађења у ватима: 3520 W

Потрошња енергије (хлађење) у ватима: 1350 W

Проток ваздуха: 400 м³ / сат

Капацитет сушења: 28 литара / 24 сата

Енергетски разред: A

Тајмер: 1-24 сата

Расхладно средство: R290, 230 грама

Ниво буке: <65дБ

Напон: 220-240 V ~ 50Хз



Опрез, опасност од пожара

НЕ бушите и не палите.

Имајте на уму да расхладно средство можда не садржи мирис.



За заштиту животне средине: молимо вас да одвојите картонске кутије и пластичне кесе и одложите их у одговарајуће канте за смеће. Коришћени уређај треба да буде испоручен на наменске сакупљане тачке због оштрих компоненти, што може утицати на животну средину. Немојте одлагати овај уређај у заједничку корпу за отпатке.

SVENSKA

ALLMÄNNA SÄKERHETSVILLKOR

VIKTIGA SÄKERHETSINSTRUKTIONER LÄS NU OCH SPARA FÖR FRAMTID

1. Läs bruksanvisningen innan du använder enheten och följ instruktionerna i den. Tillverkaren ansvarar inte för skador orsakade av att använda enheten i strid med dess avsedda syfte eller felaktig användning.
2. Enheten är endast avsedd för hemmabruk. Använd inte för andra ändamål som inte är avsedda för det.
3. Enheten ska endast anslutas till ett vägguttag med ett jordat 220 240V ~ 50Hz. För att öka driftsäkerheten bör flera elektriska enheter inte anslutas till en strömkrets samtidigt.
4. Var försiktig när du använder enheten när barn är i närheten. Låt inte barn leka med enheten, låt inte barn eller personer som inte känner till enheten använda den.
5. **WARNING:** Denna utrustning får användas av barn över 8 år och personer med begränsad fysisk, sensorisk eller mental förmåga, eller personer som inte har erfarenhet eller kunskap om utrustningen, om detta görs under övervakning av en ansvarig person för deras säkerhet eller har fått dem information om säker användning av enheten och är medvetna om farorna med att använda den. Barn ska inte leka med utrustningen. Rengöring och underhåll av enheten bör inte utföras av barn, såvida de inte är över 8 år gamla och dessa aktiviteter utförs under övervakning.

6. Koppla alltid ur nätkontakten genom att hålla uttaget med handen efter användning. Dra inte i nätsladden.
7. Sänk inte ned kabeln, kontakten och hela enheten i vatten eller någon annan vätska. Utsätt inte enheten för atmosfäriska förhållanden (regn, sol, etc.) eller användning vid förhållanden med hög luftfuktighet (badrum, fuktiga husbilar).
8. Kontrollera regelbundet nätkabelns tillstånd. Om nätsladden är skadad bör den bytas ut av en specialistverkstad för att undvika fara.
9. Använd inte apparaten med en skadad nätsladd eller om den har tappats eller skadats på något annat sätt eller om den inte fungerar korrekt. Reparera inte enheten själv eftersom det finns risk för elektrisk stöt. Ta den skadade enheten till ett lämpligt servicecenter för kontroll eller reparation. Alla reparationer får endast utföras av auktoriserade servicepunkter. Felaktigt utförda reparationer kan orsaka allvarig fara för användaren.
10. Placera enheten på en sval, stabil yta, borta från heta köksapparater som: elektrisk spis, gasbrännare, etc.
11. Se till att ingenting blockerar luftinloppet och utloppet på enheten
12. Använd enheten endast på en jämn yta för att förhindra att kondensen spinner ut
13. För att ge ytterligare skydd rekommenderas det att installera en restströmsenhet (RCD) i den elektriska kretsen med en nominell restström som inte överstiger 30 mA. Fråga en elektriker för detta.
14. Rengör luftfiltret regelbundet. Rengöringsfrekvensen beror på luftens renhet.
15. När du har stängt av maskinen, vänta minst 5 minuter innan du slår på den igen.
16. Använd inte enheten på soliga platser. När enheten överhettas tänds överhettningsskyddet på enheten.
17. För att säkerställa effektiv kylning bör ett avstånd på minst 50 cm hållas mellan enhetens sidoväggar och väggen eller möbler eller gardiner.
18. På grund av anordningens begränsade prestanda, om skillnaden mellan måltemperaturen och omgivningstemperaturen är för stor, kanske måltemperaturen inte uppnås.
19. Följ följande grundläggande försiktighetsåtgärder för att minska risken för brand, elektrisk stöt eller personskador vid användning av luftkonditioneringsapparaten:
 - a) Anslut till ett jordat uttag med 3 stift.
 - b) Ta inte bort jordningsspetsen.
 - c) Använd inte adaptern.
 - d) Använd inte en förlängningssladd.
 - e) Koppla bort luftkonditioneringsapparaten innan service.
 - f) Använd två eller flera personer för att flytta och installera luftkonditioneringsapparaten.
20. Använd inte andra medel som påskyndar avfrostnings- eller rengöringsprocessen än de som rekommenderas av tillverkaren.
21. Enheten ska förvaras i ett rum utan att ständigt använda antändningskällor, till exempel: öppen eld, gasapparater eller elektriska värmare.

ENHETSBEKRIVNING

1. Kontrollpanelen
2. Justerbar ventil
3. Luftfilterhus
4. Luftinlopp
5. Placera för kontakten
6. Avgasrörsmontage
7. Dräneringshåll för kontinuerlig urladdning
8. Dräneringshåll för fullständig urladdning av vatten från enheten
9. TIMER-knapp
10. FAN-knapp
11. UPP / NER temperatur- och tidsknapp
12. MODE-valsknapp
13. POWER-knapp
14. LCD-display
15. Vertikal oscillationsknapp
16. Knapp för att byta temperaturenhet
17. SLEEP-läge-knapp
18. Kontrollampa för full vattentank "FL"
19. Avgasrör
20. Fönstertätningsskiva
21. Fästskruv
22. Kilblock för övre filter
23. Kilblock för nedre filter

MONTERING

Innan du använder den första enheten, montera enheten enligt nedan:

1. Enheten ska placeras på en plan yta. Avståndet till vägg eller andra föremål ska vara minst 50 cm för att inte begränsa luftflödet - titta på bild 6. Installera och använd inte enheten i badrummet eller i andra fuktiga miljöer.
2. Installera fönstertätningsskivan (20):
 - a) Öppna fönstret halvt och montera fönstertätningsskivan (20) på fönstret (som visas på bild 5); enheten (20) kan placeras i horisontell och vertikal riktning.
 - b) Dra upp olika komponenter i fönstertätningsskivans enhet, justera öppningsavståndet så att båda ändarna på enheten kommer i kontakt med fönsterramen och fixera enhetens komponenter.
3. Längs avgasröret (19) och knapp den plana änden av värmerörsskruvarna i det elliptiska hålet på fönstertätningsskivan (som visas på bild 6).

Anmärkning: 1. Den plana änden på avgasrörledningarna måste fästas på plats.

4. Avgasslangens längd ska vara 280 ~ 1 500 mm, den kan inte förvrängas och inte ha någon större vridning (större än 45 °). Avgaserna måste vara fria. Annars kan det orsaka överhettning. Använd inte förlängningsrör eller byt ut dem med andra olika slangar, annars kan det orsaka fel.

ANVÄNDNINGEN

Efter anslutning av enheten till elnätet spelar summern start-musik, den går i vänteläge och visar den aktuella omgivningstemperaturen.

1. Tryck på knappen (13) för att slå på eller stänga av enheten.
2. Tryck på knappen (12) för att välja ett av de tillgängliga lägena: COOL -> FAN -> DRY
3. Ställ in temperaturen i COOL-läget med UPP / NER-knapparna (11). Det är inte tillgängligt i fläkt- och avfuktningläge.)
4. Under COOL- eller FAN-lägen använder du FAN-knappen (10) för att ställa in fläkthastigheten: STÄRK (F3), MEDIUM (F2), WEAK (F1). Men vindhastighetsfunktionen är begränsad av kylhämmande förhållanden, under vissa förhållanden kanske det inte går enligt den inställda vindhastigheten. I DRY-läge ställs fläkten automatiskt in på nivån WEAK.
5. När enheten är avstängd kan den slås på med en fördröjning genom att trycka på TIMER-knappen (9). Tryck på UPP / NER-knapparna (11) för att ställa in tiden för enheten som ska aktiveras genom att välja tiden inom intervallet 1-24 timmar. När enheten är påslagen kan den stängas av med försening genom att trycka på TIMER-knappen (9). Tryck på UPP / NER-knapparna (11) för att ställa in tiden för enheten som ska stängas av genom att välja tiden inom intervallet 1-24 timmar.
6. Genom att trycka samtidigt på UPP-knappen (11) och FAN-knappen (10) eller genom att trycka på knappen SLEEP (17) på fjärrkontrollen kan enheten växlas till viloläge. Enheten fungerar sedan tyst i energisparläget. Denna funktion är endast tillgänglig i COOL-läge, inte tillgänglig i FAN- och DRY-lägen.
7. Enheterna (°C <-> °F) med önskad rumstemperatur kan ändras genom att trycka på knappen (16) på fjärrkontrollen eller samtidigt trycka på båda knapparna upp-knappen (11) och ned-knappen (11) för att växla mellan Celsius (°C) och Fahrenheit (°F).
8. Tryck på knappen (15) för att starta luftsvängningen, persiennerna rör sig vertikalt. Tryck på den igen för att stoppa svängningen av luften.

DRINAGEINSTRUKTIONER

MANUELL Dränering: När vatten i vattenpannan överskrider varningsnivån ljuder enheten automatiskt ett larm och LCD-displayen (14)

visar "FL". Även FULL-kontrolllampan (18) tänds. Stäng sedan av enheten och ta ut kontakten från uttaget. Flytta enheten försiktigt, så att du inte spill ner vattnet i vattenpannan längst ner på huset. Läggs sedan lite behållare (ingår inte i uppsättningen) under dräneringshålet (8), skruva loss den och ta bort locket som stänger öppningen - titta på bild 7. Låt vattnet hälla ut, under dränering kan huset lutas något bakåt. Installera sedan igen och slå på enheten.

FORTSATT Dränering: I COOL och DRY-läget kan du ansluta röret (ingår inte i uppsättningen) till konstant dränering - bild 9. Skruva av och ta bort locket och stäng öppningen för den kontinuerliga dräneringen (7). Ställ sedan in dräneringsslangen (ingår inte i uppsättningen) i vattenutloppet och lägg den andra änden i ett rymligt kärl.

SKYDDSANORDNINGAR

1. Frostskyddsfunktion: i kylning, avfuktning eller ekonomiskt energisparläge, om avgasrörets temperatur är för låg kommer maskinen automatiskt in i skyddsstatus; om avgasrörets temperatur stiger till en viss temperatur kan det automatiskt återgå till normal drift.
2. Funktion för överflödesskydd: läs kapitlet DRAINAGE INSTRUCTIONS. När vattnet har tömts återgår maskinen automatiskt till det ursprungliga tillståndet.
3. Automatisk avfrostning: enheten har automatisk avfrostningsfunktion: vid avfrostning blinkar värmesymbolen på skärmen.
4. Kompressorns skyddsfunktion: för att öka kompressorns livslängd, har den en 3-minuters fördröjning för att starta skydd efter att kompressorn har stängts av.

RENGÖRING & UNDERHÅLL

Rengöring: Stäng av enheten och koppla ur kontakten innan rengöring och underhåll.

1) Städning av bostäder

Rengör med enhetens yta med en våt mjuk trasa. Använd inte kemikalier som bensen, alkohol, bensin, annars kommer enhetens yta att skadas eller till och med hela maskinen skadas.

2) Rengöring av nätfilter

Om filtret är tilltäppt med damm minskar enhetens effektivitet, se till att rengöra filtret en gång varannan vecka. Rengör de övre och nedre filterramarna när du har tagit bort dem från baksidan av enheten - bild 8.

* Övre filterskärmram: Fäst filterskärmens kilblock med händerna. Tvinga ner från utsidan för att ta bort filterskärmensramen. Skruva loss fyra skruvar som fixerar filterskärmens och det bakre höljet för att ta bort filterskärmens (som visas på bild 8).

* Nedre filterskärmram: Håll i handtaget på filterskärmensramen och dra den försiktigt utåt för att ta bort den.

* Läggs båda filterskärmarna i varmt vatten med neutralt tvättmedel (cirka 40 °C / 104 °F) och torka dem i skuggan efter att du har sköljt dem rena.

LAGRING

Om enheten kommer att vara oanvänd under lång tid, gör så här:

1. Dra ut dräneringskontakten (8) för att rinna ut vatten.
2. Låt enheten köras under fläktläge i 2 timmar för att torka ut enhetens inre.
3. Stäng av enheten och dra ut kontakten.
4. Rengör och torka filter och installera dem sedan igen.
5. Dra ut avgasröret för säker förvaring.
6. Lagg maskinen i plastpåse och placera den på en torr plats.
7. Ta bort batterierna på fjärrkontrollen och förvara dem ordentligt.

FELSÖKNING

Problem I.: Luftkonditioneringen fungerar inte.

Orsak 1: Det finns ingen el. Så slå på den när du har anslutit den till ett eluttag.

Orsak 2: Den fullständiga kontrollampan för vatten visar "FL". Så släpp ut vattnet.

Orsak 3: I kyläge är rumstemperaturen lägre än den inställda temperaturen. Så ändra temperaturnivån.

Orsak 4: I avfuktningläget är omgivningstemperaturen låg. Observera att enheten är placerad i ett rum med en omgivningstemperatur högre än 62 °F.

Orsak 5: Den omgivande temperaturen är för låg eller för hög. Enhetens avsedda driftstemperatur är 7-35 °C (44-95 °F).

Problem II.: Kyleffekten är inte bra.

Orsak 1: Direkt solljus. Så ritade gardinerna.

Orsak 2: Dörrar och fönster är öppna, många värmekällor i rummet. Så stäng dörren och fönstren, flytta ut värmekällorna.

Skäl 3: Filter är för smutsiga. Så rengör eller byt filter.

Orsak 4: Luftinlopp eller luftutlopp är blockerat. Så ta bort blockering.

Problem III.: Stort brus

Anledning: Enheten är inte placerad på en plan yta. Så placera enheten på en platt och hård plats för att minska buller.

Problem IV.: Kompressorn fungerar inte.

Orsak: Kompressorns tidsfördröjningsskydd slås på. Så vänta i 3 minuter tills temperaturen har sänkts och starta sedan om maskinen.

Problem V.: Fjärrkontrollen fungerar inte.

Orsak 1: Avståndet mellan maskinen och fjärrkontrollen är för långt. Så låt fjärrkontrollen komma nära luftkonditioneringen och se till att fjärrkontrollen vetter direkt mot fjärrkontrollens riktning.

Orsak 2: Fjärrkontrollen är inte i linje med fjärrkontrollens mottagares riktning. Så låt fjärrkontrollen komma nära luftkonditioneringen och se

till att fjärrkontrollen vetter direkt mot fjärrkontrollens riktning.

Orsak 3: Batterierna är slut. Så byt ut batterier.

Problem V: Displayen visar: "E1".

Anledning: Rörets temperatursensor är onormal. Så kontakta professionell service för hjälp.

Problem VI.: Displayen visar: "E2".

Orsak: Rumtemperatursensorn är onormal. Så kontakta professionell service för hjälp.

Obs! Stäng av maskinen och dra ut kontakten när onormala situationer inträffar, kontakta sedan professionell service för hjälp.

Reparera inte enheten själv. Ingen kvalificerad reparation upphäver garantin.

TEKNISK DATA:

Kylkapacitet vid BTU: 12000 BTU / timme

Kylkapacitet i watt: 3520 W

Energiförbrukning (kylning) i watt: 1350 W

Luftflöde: 400 m³ / timme

Torkkapacitet: 28 liter / 24 timmar

Energi klass: A

Timer: 1-24 timmar

Kylmedel: R290, 230 gram

Bullelnivå: <65dB

Spänning: 220-240 V ~ 50Hz



Varning, risk för brand.

Gör INTE igenom eller bränna.

Var medveten om att köldmediet kanske inte innehåller en lukt.



Vi sköter om miljön. Överlämna förpackningar i kartong till pappersavfall. Polyetylensäckar (PE) slängs i avfallsbehållare för plast. Man bör lämna en gammal apparat till en riktig återvinningscentral, eftersom farliga komponenter i apparaten kan orsaka fara till miljön. En elektrisk apparat bör lämnas för att minska förnyad användning av denna. Om apparaten innehåller batterier, bör man ta bort dem och lämna dem separat till återvinningscentraler.

УКРАЇНСЬКА

ЗАГАЛЬНІ УМОВИ БЕЗПЕКИ

ВАЖЛИВІ ІНСТРУКЦІЇ З БЕЗКОШТОВНОСТІ ЧИТАЙТЕ ДУЖКО І ЗАБЕЗПЕЧЕННЯ ДЛЯ БУДУЩЕГО

1. Перш ніж користуватися пристроєм, прочитайте посібник з експлуатації та дотримуйтесь інструкцій, що містяться в ньому. Виробник не несе відповідальності за збитки, спричинені використанням пристрою всупереч його передбачуваному призначенню або неправильній експлуатації.
2. Пристрій призначений лише для домашнього використання. Не використовуйте для інших цілей, які не призначені за призначенням.
3. Пристрій слід підключати лише до розетки змінного струму із заземленим 220 240 В ~ 50 Гц. Для підвищення експлуатаційної безпеки кілька електричних пристроїв не повинні підключатися одночасно до одного ланцюга струму.
4. Будьте дуже обережні, коли користуєтесь пристроєм, коли діти поруч. Не дозволяйте дітям грати з пристроєм, не дозволяйте дітям або людям, незнайомим пристроєм, користуватися ним.
5. **ПОПЕРЕДЖЕННЯ:** Цим обладнанням можуть користуватися діти старше 8 років та люди з обмеженими фізичними, сенсорними або розумовими здібностями, або люди, які не мають досвіду чи знань щодо обладнання, якщо це робиться під наглядом відповідальної особи. Для їх безпеки або надано їм інформацію про безпечне користування пристроєм та знають про небезпеку його використання. Діти не повинні грати з обладнанням. Чищення та обслуговування приладу не повинно здійснюватися

- дітьми, якщо вони не перевищують 8 років і ці заходи проводяться під наглядом.
6. Завжди від'єднуйте шнур живлення, тримаючи розетку рукою після використання. НЕ тягніть за шнур живлення.
 7. Не занурюйте кабель, вилку та весь пристрій у воду або будь-яку іншу рідину. Не піддавайте прилад атмосферним умовам (дощ, сонце тощо) і не використовуйте в умовах підвищеної вологості (ванні кімнати, вологі мобільні будинки).
 8. Періодично перевіряйте стан шнура живлення. Якщо шнур живлення пошкоджений, його слід замінити в спеціалізованому ремонтному центрі, щоб уникнути небезпеки.
 9. Не використовуйте прилад із пошкодженим шнуром живлення або якщо він був випав або пошкоджений будь-яким іншим способом або якщо він не працює належним чином. Не ремонтуйте пристрій самостійно, оскільки є ризик ураження електричним струмом. Віднесіть пошкоджений пристрій у відповідний сервісний центр для перевірки чи ремонту. Всі ремонти можуть проводити тільки авторизовані сервісні пункти. Неправильно виконаний ремонт може становити серйозну небезпеку для користувача.
 10. Поставте прилад на прохолодну стійку поверхню, подалі від гарячих кухонних приладів, таких як: електрична плита, газовий конфорка тощо.
 11. Переконайтесь, що ніщо не блокує вхід і вихід повітря в пристрій
 12. Використовуйте пристрій лише на рівній поверхні, щоб запобігти розливу конденсату
 13. Для забезпечення додаткового захисту доцільно встановити в електричному ланцюзі пристрій залишкового струму (RCD) з номінальним залишковим струмом, що не перевищує 30 мА. Запитайте про це електрика.
 14. Регулярно чистіть повітряний фільтр. Частота очищення залежить від чистоти повітря.
 15. Після вимкнення машини зачекайте принаймні 5 хвилин, перш ніж увімкнути її.
 16. Не використовуйте прилад у сонячних місцях. Коли пристрій перегріється, захист від перегріву увімкнеться.
 17. Для забезпечення ефективного охолодження слід зберігати відстань не менше 60 см між бічними стінками пристрою та стіною або меблями чи шторами.
 18. Через обмежені показники роботи пристрою, якщо різниця між цільовою температурою та температурою навколишнього середовища занадто велика, цільова температура може бути досягнута.
 19. Щоб зменшити ризик пожежі, ураження електричним струмом або травм при користуванні кондиціонером, дотримуйтесь таких основних заходів безпеки:
 - а) Підключіть до заземленої розетки за допомогою 3-х штифтів.
 - б) Не знімайте заземлюючий зубчик.
 - в) Не використовуйте адаптер.
 - г) Не використовуйте подовжувач.
 - д) Перед обслуговуванням відключіть кондиціонер.
 - ф) Використовуйте двох або більше людей для переміщення та встановлення кондиціонера.

20. Не використовуйте засоби, що прискорюють процес розморожування чи очищення, крім тих, які рекомендовані виробником.

21. Пристрій слід зберігати в приміщенні без постійно діючих джерел займання, наприклад: відкритого вогню, газових приладів або електричних нагрівачів.

ОПИС ОБЛАДНАННЯ

1. Панель управління
2. Регульований вентиляційний отвір
3. Корпус повітряного фільтра
4. Вхід повітря
5. Місце для вилки
6. Фітинг вихлопних труб
7. Дренажний отвір для безперервного скидання води
8. Дренажний отвір для повного відводу води з пристрою
9. Кнопка ТАЙМЕР
10. Кнопка вентилятора
11. Кнопка температури та часу вгору / вниз
12. Кнопка вибору РЕЖИМУ
13. Кнопка POWER
14. РК-дисплей
15. Кнопка вертикального коливання
16. Кнопка зміни одиниці температури
17. Кнопка режиму SLEEP
18. Повна лампа управління водою "FL"
19. Витяжна труба
20. Збірка пластини віконного ущільнення
21. Утримуючий гвинт
22. Блок клина для верхнього фільтра
23. Блок клина для нижнього фільтра

ЗБОРКА

Перед першим використанням зберіть пристрій, як показано нижче:

1. Пристрій слід розмістити на рівній поверхні. Відстань до стіни та інших предметів має бути не менше 50 см, щоб не обмежувати потік повітря - дивіться на малюнок 6. Не встановлюйте та не використовуйте пристрій у ванній кімнаті чи інших умовах з високим рівнем вологості.

2. Встановіть ущільнювальну пластину вікна (20):

a) На половину вікна відкрите вікно і встановіть у вікно ущільнювальну пластину (20) (як показано на малюнку 5); збірка (20) може бути розміщена в горизонтальному та вертикальному напрямку.

b) Відкрийте різні компоненти вузла ущільнювальної панелі вікна, відрегулюйте відстань відкриття, щоб привести обидва кінці вузла в контакт з віконною рамою, і зафіксуйте компоненти збірки.

3. Витягніть витяжну трубу (19) і зафіксуйте плоский кінець з'єднання теплової труби в еліптичному отворі ущільнювальної пластини вікна (як показано на малюнку 6).

Примітки: 1. плоский кінець з'єднувачів вихлопної труби повинен бути зафіксований на місці.

4. Довжина вихлопного шланга повинна становити 280 ~ 1500 мм, він не може бути перекручений, не має значного повороту (більше 45 °). Витяжка повинна бути безперешодною; інакше це може спричинити перегрів. Не використовуйте подовжувачі та не замінійте їх іншими шлангами, інакше це може призвести до несправності.

ЕКСПЛУАТАЦІЯ ПРИСТРОЮ

Після підключення пристрою до електромережі зувер відтворюватиме музику при включенні, він перейде в режим очікування та відображатиме поточну температуру навколишнього середовища.

1. Щоб увімкнути або вимкнути пристрій, натисніть кнопку (13).

2. Натисніть кнопку (12), щоб вибрати один із доступних режимів: COOL -> FAN -> DRY

3. В режимі COOL встановіть температуру за допомогою кнопок UP / DOWN (11). Він недоступний у режимі вентилятора та осушення.)

4. У режимах COOL або FAN використовуйте кнопку FAN (10) для встановлення швидкості обертання вентилятора: STRONG (F3), MEDIUM (F2), WEAK (F1). Але швидкість роботи вітру обмежена антихолодними умовами, за певних умов він може не працювати відповідно до встановленої швидкості вітру. У режимі DRY вентилятор автоматично встановлюється на рівень слабого.

5. Коли пристрій вимкнено, його можна увімкнути із запізненням, натиснувши кнопку TIMER (9). Натискайте кнопки UP / DOWN (11), щоб встановити час активації пристрою, вибравши час в інтервалі 1-24 години. Коли пристрій увімкнено, його можна вимкнути із запізненням, натиснувши кнопку TIMER (9). Натискайте кнопки UP / DOWN (11), щоб встановити час вимкнення пристрою,

вибравши час в інтервалі 1-24 години.

6. Натискаючи одночасно кнопку UP (11) та FAN (10) або натискаючи кнопку SLEEP (17) на пульті дистанційного керування, пристрій можна переключити у сплячий режим. Потім пристрій буде працювати безшумно в режимі енергозбереження. Ця функція доступна лише в режимі COOL, недоступна в режимах ВЕНТИЛЯТОР і СУХА

7. Агрегати (°C <-> °F) необхідної кімнатної температури можна змінювати натисканням кнопки (16) на пульті дистанційного керування або одночасно натисканням обох кнопок вгору (11) та клавіші вниз (11) для перемикання між Цельсієм (°C) і Фаренгейта (°F).

8. Натисніть кнопку (15), щоб почати коливання повітря, жалюзі рухатимуться вертикально. Натисніть його ще раз, щоб зупинити коливання повітря.

ІНСТРУКЦІЇ ДРАНАЖУ

ВИМОГИ ДРАЙНІНЖ: Коли вода у водяній каstrулі перевищує рівень попередження, пристрій автоматично запустить сигнал тривоги, а на РК-дисплеї (14) з'явиться "FL". Також загориться ПОЛНА контрольна лампа води (18). Потім вимкніть пристрій і вийміть вилку з розетки. Перемістіть прилад обережно, щоб не розливати воду у каstrулю з водою на дні корпусу. Потім поставте трохи ємності (не входить у комплект) під дренажний отвір (8), відкрутіть її та зніміть ковпачок, що закриває отвір - подивіться на малюнок 7. Нехай вода вилиється, під час дренажу корпус можна трохи нахилити назад. Потім знову встановіть його та увімкніть пристрій.

БЕЗПЕЧНИЙ Дренаж: У режимі COOL і DRY ви можете підключити трубу (не включена в комплект) до постійного стоку - малюнок 9. Для цього відкрутіть і зніміть ковпачок, закриваючи отвір безперервного стоку води (7). Потім встановіть дренажний шланг (не входить до комплекту) у вихідний отвір води, а інший кінець покладіть в ємну посудину.

ПРИБОРИ ЗАХИСТУ

1. Функція захисту від морозу: в режимі охолодження, осушення або економії енергії, якщо температура вихлопної труби занадто низька, машина автоматично перейде в стан захисту; якщо температура вихлопної труби підвищиться до певної температури, вона може автоматично повернутися до нормальної роботи.

2. Функція захисту від переливу: прочитайте розділ "ВКАЗІВКИ ДРЕВАННЯ". Після спорожнення води машина автоматично повернеться до початкового стану.

3. Автоматичне розморожування: пристрій має функцію автоматичного розморожування: під час розморожування на екрані дисплея блиматиме символ нагрівання.

4. Функція захисту компресора: щоб збільшити термін експлуатації компресора, він має функцію захисту від завантаження на 3 хвилини після вимкнення компресора.

ОЧИЩЕННЯ І ОБСЛУГОВУВАННЯ

Очищення: перед чищенням та технічним обслуговуванням вимкніть прилад та вийміть вилку з розетки.

1) Прибирання корпусу

Почистіть поверхню пристрою мокрою м'якою тканиною. Не використовуйте хімічні речовини, такі як бензол, спирт, бензин, інакше поверхня пристрою буде пошкоджена або навіть уся машина буде пошкоджена.

2) Чистка чистих фільтрів

Якщо фільтр засмічений пилом, то ефективність роботи пристрою знижується, обов'язково очищайте фільтр раз на два тижні.

Очистіть рамки верхнього та нижнього фільтрів після вилучення їх із задньої сторони пристрою - малюнок 8.

* Верхня рамка екрану фільтра: Затисніть долонь блоку рамки екрану фільтра руками. Приберіть ззовні, щоб зняти рамку екрану фільтра. Відкрутіть чотири гвинти, що фіксують екран фільтра та задній корпус, щоб зняти екран фільтра (як показано на малюнок 8).

* Нижня рамка екрану фільтра: Тримайте ручку рамки екрану фільтра і обережно витягніть її назовні, щоб зняти її.

* Поставте обидва екрани фільтра в теплу воду з нейтральним миючим засобом (близько 40 °C / 104 °F) і висушіть їх у тіні після чистого промивання.

ЗБЕРІГАННЯ

Якщо пристрій тривалий час не буде використовуватися, виконайте такі дії:

1. Витягніть дренажну пробку (8) для витікання води.

2. Нехай пристрій працює в режимі вентилятора протягом 2 годин, щоб висушити внутрішню частину пристрою.

3. Вимкніть пристрій і вийміть вилку.

4. Очистіть і висушіть фільтри, після чого встановіть їх знову.

5. Витягніть витяжну трубу для безпечного зберігання.

6. Помістіть машину в поліетиленовий пакет і поставте на сухе місце.

7. Вийміть акумулятори пульта дистанційного керування та утримуйте їх належним чином.

ВИРІШЕННЯ ПРОБЛЕМ

Проблема 1.: Кондиціонер не працює.

Причина 1: електрики немає. Отже, увімкніть його після підключення до розетки з електрикою.

Причина 2: Індикатор повного контролю води відображає "FL". Отже, скидайте воду.

Причина 3: У режимі охолодження температура в приміщенні нижче встановленої температури. Отже, змінити рівень temperature.

Причина 4: У режимі осушення повітря температура навколишнього середовища низька. Зверніть увагу, що пристрій розміщують у приміщенні з температурою навколишнього середовища понад 17 °C (62 °F).

Причина 5: Температура навколишнього середовища занадто низька або занадто висока. Передбачувана робоча температура пристрою - 7-35 °C (44-95 °F).

Проблема II. Охолоджуючий ефект не дуже хороший.

Причина 1: Прямі сонячні промені. Отже, намалював штори.

Причина 2: Двері та вікна відкриті, в приміщенні багато джерел тепла. Отже, закрийте двері та вікна, перемістіть джерела тепла.

Причина 3: Фільтри занадто брудні. Отже, очистіть або замініть фільтри.

Причина 4: Вхід або випуск повітря заблоковані. Отже, приберіть блокування.

Проблема III: великий шум

Причина: пристрій не розміщується на рівній поверхні. Отже, поставте пристрій на рівне і жорстке місце, щоб зменшити шум.

Проблема IV.: Компресор не працює.

Причина: увімкнено захист від затримки компресора. Отже, зачекайте 3 хвилини, поки температура не знизиться, а потім перезапустіть машину.

Проблема V: Пульт дистанційного керування не працює.

Причина 1: Відстань між машиною та пультом управління занадто велика. Отже, нехай пульт дистанційного керування наблизиться до кондиціонера та переконайтеся, що пульт безпосередньо звернений до напрямку приймача дистанційного керування.

Причина 2: Пульт дистанційного керування не узгоджується з напрямком приймача дистанційного керування. Отже, нехай пульт дистанційного керування наблизиться до кондиціонера та переконайтеся, що пульт безпосередньо звернений до напрямку приймача дистанційного керування.

Причина 3: Акумулятори мертві. Отже, замініть батареї.

Проблема V.: На дисплеї показано: "E1".

Причина: Датчик температури труби ненормальний. Отже, зверніться за допомогою до професійної служби.

Проблема VI. На дисплеї видно: "E2".

Причина: Датчик температури в приміщенні ненормальний. Отже, зверніться за допомогою до професійної служби.

Примітка. Якщо виникають ненормальні ситуації, вимкніть машину та витягніть вилку, а потім зверніться за допомогою до професійної служби.

Не ремонтуйте пристрій самостійно. Не кваліфікований ремонт позбавить гарантії.

ТЕХНІЧНІ ДАНІ:

Потужність охолодження в БТУ: 12000 BTU / година

Потужність охолодження у ватах: 3520 Вт

Споживання енергії (охолодження) у ватах: 1350 Вт

Потік повітря: 400 м³ / годину

Ємність сушіння: 28 літрів / 24 години

Енергетичний клас: A

Таймер: 1-24 години

Охолоджуючий засіб: R290, 230 грам

Рівень шуму: <65 дБ

Напруга: 220-240 В ~ 50 Гц



Обережність, небезпека пожежі.

НЕ проколуйте та не горіть.

Майте на увазі, що холодоагент може не містити запаху.



У інтересах навколишнього середовища.

Будь ласка, віддайте картонну упаковку в місце збору мукулатури. Поліетиленові мішки (PE) викинути в смітник для пластику. Відпрацьований пристрій повинен бути відправлений у відповідну точку зберігання, тому що в пристрої є небезпечні інгредієнти, які можуть становити загрозу навколишньому середовищу. Електричний пристрій потрібно повернути так, щоб обмежити його повторне використання. Якщо у пристрої є батареї, то потрібно їх витягнути і віддати до відповідного пункту.

Македонски

ОПШТИ УСЛОВИ ЗА БЕЗБЕДНОСТ ВАНИ ИНСТРУКЦИИ ЗА БЕЗБЕДНОСТ ПРОЧИТАЈТЕ Внимателно и заштедете за ИДНИНА

1. Пред да го користите уредот, прочитајте го упатството за работа и следете ги упатствата содржани во него. Производителот не одговара за штети предизвикани од користење на уредот спротивно на наменетата намена или неправилно работење.

2. Уредот е само за домашна употреба. Не користете за други цели што не се за наменетата цел.
3. Уредот треба да се поврзе само со штекер за напојување со заземјен 220 240V ~ 50Hz. За да се зголеми безбедноста во работењето, повеќе електрични уреди не треба да бидат поврзани со едно струјно коло во исто време.
4. Користете голема претпазливост кога го користите уредот кога децата се во близина. Не дозволувајте децата да си играат со уредот, не дозволувајте деца или луѓе кои не се запознати со уредот да го користат.
5. ПРЕДУПРЕДУВАЕ: Оваа опрема може да ја користат деца над 8 години и лица со ограничена физичка, сензорна или ментална способност, или луѓе кои немаат искуство или познавање на опремата, доколку тоа е направено под надзор на одговорно лице за нивната безбедност или им е дадена информација за безбедно користење на уредот и се свесни за опасностите од неговото користење. Децата не треба да си играат со опрема. Чистењето и одржувањето на уредот не треба да го вршат деца, освен ако не се над 8 години и овие активности се вршат под надзор.
6. Секогаш исклучувајте го приклучокот за напојување со држење на штекерот со раката по употребата. НЕ влечете го кабелот за напојување.
7. Не го потовајте кабелот, приклучокот и целиот уред во вода или друга течност. Не го изложувајте го уредот на атмосферски услови (дожд, сонце и слично) или користете во услови на висока влажност (бањи, влажни домови за мобилни телефони).
8. Периодично проверувајте ја состојбата на кабелот за напојување. Ако кабелот за напојување е оштетен, тој треба да се замени со специјализирана продавница за поправка за да се избегне опасност.
9. Не користете го апаратот со оштетен кабел за напојување или ако е испуштен или оштетен на кој било друг начин или ако не работи правилно. Не поправајте го уредот сами, бидејќи постои опасност од електричен удар. Понесете го оштетениот уред во соодветен сервисен центар за проверка или поправка. Сите поправки може да ги извршуваат само овластени сервисни точки. Неправилно извршените поправки можат да предизвикаат сериозна опасност за корисникот.
10. Поставете го уредот на ладна, стабилна површина, подалеку од топли кујнски уреди како што се: електричен шпорет, горилник за гас, итн.
11. Осигурете се дека ништо не го блокира влезот на воздухот и излезот на уредот
12. Користете го уредот само на рамна површина за да спречите излевање на кондензацијата
13. За да се обезбеди дополнителна заштита, препорачливо е да се инсталира уред за преостаната струја (RCD) во електричното коло со номинална преостаната струја што не надминува 30mA. За ова прашајте електричар.
14. Редовно чистете го филтерот за воздух. Фреквенцијата на чистење зависи од чистотата на воздухот.
15. Откако ќе ја исклучите машината, почекајте најмалку 5 минути пред да ја вклучите повторно.

16. Не користете го уредот на сончеви места. Кога уредот се прегрее, заштитата од прегревање ќе се вклучи уредот.
17. За да се обезбеди ефикасно ладење, треба да се чува растојание од најмалку 50 см помеѓу страничните wallsидови на уредот и theидот или мебелот или завесите.
18. Поради ограничената изведба на уредот, ако разликата помеѓу целната температура и температурата на околината е премногу голема, не може да се постигне целта.
19. За да го намалите ризикот од пожар, електричен удар или повреда при употреба на климатик, почитувајте ги следниве основни мерки на претпазливост:
 - а) Поврзете се со заземјен штекер со 3 пина.
 - б) Не отстранувајте го заземјувачот.
 - в) Не користете го адаптерот.
 - г) Не користете продолжен кабел.
 - д) Исклучете го клима уредот пред сервисирање.
 - ѓ) Користете две или повеќе лица за да го преместите и инсталирате климатизерот.
20. Не користете средства што го забрзуваат процесот на одмрзнување или чистење, освен оние препорачани од производителот.
21. Уредот треба да се чува во просторија без постојано да работи извор на палење, на пример: отворен оган, гасни апарати или електрични грејачи.

ОПИС НА УРЕДОТ

1. Контролен панел
2. Прилагодлив отвор
3. Куќиште за филтер за воздух
4. Влез на воздухот
5. Поставете го приклучокот
6. Поставување на издувни цевки
7. Дренажна дупка за континуирано празнење вода
8. Дренажна дупка за целосно испуштање вода од уредот
9. Копче TIMER
10. Копче ФАН
11. Копче за температура и време нагоре / долу
12. копче за избор на режимот
13. копче POWER
14. LCD дисплеј
15. копче за вертикална осцилација
16. Копче за промена на температурата
17. Копче за режим SLEEP
18. Комплетна контролна ламба за резервоарот за вода „FL“
19. Издувна цевка
20. Собрание на плоча за запечатување на прозорецот
21. Завртка за прицврстување
22. Затегнувачки блок за горниот филтер
23. Затегнувачки блок за долен филтер

СОБИРАЕ

Пред првата употреба, склопете го уредот како што е подолу:

1. Уредот треба да биде поставен на рамна површина. Растојанието до wallsидот или другите предмети треба да биде најмалку 50 см за да не се ограничи протокот на воздух - погледнете на слика 6. Не инсталирајте го и користете го уредот во бањата или во други влажни околинати.
2. Инсталирајте го склопот на плочката за запечатување на прозорецот (20):

- а) Половина отворете го прозорецот и поставете го собранието на плочката за запечатување на прозорецот (20) на прозорецот (како што е прикажано на слика 5); склопот (20) може да се постави во хоризонтална и вертикална насока.
- б) Повлечете ги различните компоненти на собранието на плочата за запечатување на прозорецот, прилагодете го растојанието за отворање за да ги ставите двата краја на склопот во контакт со рамката на прозорецот и поправете ги компонентите на собранието.
3. Издолжете ја издвуната цевка (19) и ставете го рамниот крај на споеви на топлинската цевка во елипсоидна дупка на склопот на плочката за запечатување на прозорецот (како што е прикажано на слика 6).
- Белешки: 1. рамниот крај на споеви на издвуните цевки мора да биде прилепен на своето место.
4. Должината на цреволото за издувни гасови треба да биде 280 ~ 1.500 mm, не може да се искриви, ниту има значително вртење (поголема од 45 °). Издувот мора да биде непречен; во спротивно може да предизвика прегревање. Не користете цевки за продолжување или заменете ги со други различни црева, или ова може да предизвика дефект.

ОБРАЗУВАЕ НА ДЕВИЗИЈА

- Откако ќе го поврзете уредот со електричната мрежа, сијалицата ќе репродуцира музика со вклучување, ќе оди во режим на подготвеност и ќе ја прикаже сегашната температура на околината.
1. За да го вклучите или исклучите уредот, притиснете го копчето (13).
 2. Притиснете го копчето (12) за да изберете еден од достапните режими: COOL -> FAN -> DRY
 3. Во режимот COOL, поставете ја температурата користејќи ги копчињата UP / DOWN (11). Не е достапен во режим на вентилаторот и дехидрификација.)
 4. За време на режимите COOL или FAN, користете го копчето FAN (10) за да ја поставите брзината на вентилаторот: STRONG (F3), MEDIUM (F2), WEAK (F1). Но, работата на брзината на ветерот е ограничена со анти-студени услови, под одредени услови, може да не работи според поставената брзина на ветрот. Во режимот DRY, вентилаторот автоматски се поставува на ниво на WEAK.
 5. Кога уредот е исклучен, може да се вклучи со задоцнување со притискање на копчето TIMER (9). Притиснете ги копчињата UP / DOWN (11) за да поставите време да се активира уредот со избирање на време во опсег од 1-24 часа. Кога уредот е вклучен, може да се исклучи со задоцнување со притискање на копчето TIMER (9). Притиснете ги копчињата UP / DOWN (11) за да поставите време да се исклучи уредот со избирање на време во опсег од 1-24 часа.
 6. Со истовремено притискање на копчето UP (11) и копчето FAN (10) или со притискање на копчето SLEEP (17) на далечинскиот управувач, уредот може да се префрли во режим на мирување. Уредот потоа ќе работи тивко во режимот за заштеда на енергија. Оваа функција е достапна само во режимот COOL, не е достапна во режимите FAN и DRY.
 7. Единиците (°C <->) од потребната собна температура можат да се сменат со притискање на копчето (16) на далечинскиот управувач или истовремено да ги притиснете двете копчиња нагоре (11) и копчето надолу (11) за да се префрлите помеѓу Целзиусови (°C) и Фаренхајт (°F).
 8. Притиснете го копчето (15) за да започнете осцилацијата на воздухот, ролетните ќе се движат вертикално. Притиснете го повторно за да запре осцилацијата на воздухот.

УПАТСТВО ЗА ОДРЕДУВАЕ

MANUAL DRAINAGE: Кога водата во тавата со вода го надминува нивото на предупредување, уредот автоматски ќе звучи аларм, а областа на LCD екранот (14) ќе го прикаже "FL". Исто така, ќе светне FULL контролата на водата (18). Потоа исклучете го уредот и извадете го приклучокот од штекерот. Поместете го внимателно уредот, за да не ја истури водата во тавата со вода на дното на куќиштето. Потоа ставете сад (не е вклучен во комплет) под дренажната дупка (8), одвртете го и извадете го капакот што го затвора отворот - погледнете на сликата 7. Оставете ја водата да се испушти, за време на дренажата, куќиштето може да се навали малку назазад . Потоа повторно инсталирајте го и вклучете го уредот.

Продолжена ДРААНА: Во режимот COOL и DRY, цевката (не е вклучена во комплетот) може да ја поврзете на постојаната дренажа - слика 9. За да го направите ова, одвртете го и извадете го капачето затворајќи го отворот на континуираната дренажа на вода (7). Потоа, поставете го цреволото за одводнување (не е вклучено во комплетот) во излезот на вода и ставете го другиот крај во капачен сад.

УПАТСТВИ ЗА ЗАШТИТА

1. Функција за заштита од мраз: во режим на ладење, дехидрирање или економско заштеда на енергија, ако температурата на издвуната цевка е прениска, машината автоматски ќе влезе во статус на заштита; ако температурата на издвуната цевка се искачи на одредена температура, може автоматски да се врати на нормална работа.
2. Функција за заштита од претекување: прочитајте го воглавјето Упатства за дремација. Откако ќе се испразни водата, машината автоматски ќе се врати во првобитната состојба.
3. Автоматско одмрзнување: уредот има функција за автоматско одмрзнување: за време на одмрзнувањето, ќе трепка симболот за греење на екранот.
4. Функција на заштита на компресорот: за да го зголемите работниот век на компресорот, има 3 минути одложување функција за заштита од подигнување откако компресорот е исклучен.

ЧИСТЕЕ И ОДРУВАЕ

Чистење: пред чистење и одржување, исклучете го уредот и исклучете го приклучокот.

- 1) Чистење на станови

Исчистете ја со површина на уредот со влажна мека крпа. Не користете хемикалии, како што се бензен, алкохол, бензин, во

спротивно, површината на уредот ќе биде оштетена или дури и целата машина ќе биде оштетена.

2) Чистење на нето-филтри

Ако филтерот е запушен со прашина, тогаш ефикасноста на уредот е намалена, не заборавате да го исчистите филтерот еднаш на секои две недели. исчистете ги горните и долните рамки на филтрите, откако извадете ги од задната страна на уредот - слика 8.

* Рамка на горниот екран на филтерот: Затегнете го клинот за клин на рамката на филтерот со рацете. Присилно надолу еднавдор за да ја отстраните рамката на екранот на филтерот. Отшрафете ги четири завртки што ги фиксираат екранот на филтерот и задното кукиште за да го отстраните екранот на филтерот (како што е прикажано на слика 8).

* Долна рамка на екранот на филтерот: Држете ја рачката на рамката на екранот на филтерот и нежно повлечете ја нанадвор за да ја отстраните.

* Ставете ги двата екрана филтри во топла вода со неутрален детергент (околу 40 °C / 104) и исушете ги во сенка откако ќе се исперат чистите.

ЧУВАЕ

Ако уредот ќе биде неупотребен долго време, направете го следново:

1. Извлечете го дренажниот приклучок (8) за да испушти вода.
2. Нека уредот работи под режим на вентилаторот 2 часа за да се исуши внатрешноста на уредот.
3. Исклучете го уредот и извлечете го приклучокот.
4. Исчистете ги и исушете ги филтрите, а потоа повторно инсталирајте ги.
5. Извлечете ја издувната цевка за безбедно чување.
6. Ставете ја машината во пластична кеса и ставете ја на суво место.
7. Извадете ги батериите од далечинскиот управувач и одржувајте ги правилно.

СОВЕТУВАОЕ

Проблем I: Климатизацијата не работи.

Причина 1: Нема електрична енергија. Затоа, вклучете го откако ќе го поврзете со штекер со електрична енергија.

Причина 2: Сијаличката за контрола на водата ја прикажува „FL“. Значи, испуштете ја водата.

Причина 3: Во режимот на ладење, температурата во просторијата е пониска од поставената температура. Затоа, променете го нивото на температурае.

Причина 4: Во режимот на дехидрирање, температурата на околината е мала. Забележете дека уредот е сместен во просторија со температура на околината поголема од 17 °C (62).

Причина 5: Температурата на околината е премногу ниска или премногу висока. Предвидената температура на работа на уредот е 7-35 °C (44-95).

Проблем II: Ефектот на ладење не е добар.

Причина 1: директна сончева светлина. Значи, нацртајте ги завесите.

Причина 2: Вратата и прозорците се отворени, многу извори на топлина во просторијата. Затоа, затворете ја вратата и прозорците, исфрлете ги изворите на топлина.

Причина 3: Филтрите се премногу валкани. Значи, исчистете или заменете ги филтрите.

Причина 4: Влез во воздухот или излегување на воздух е блокиран. Значи, отстранете ја блокадата.

Проблем III: Голем шум

Причина: Уредот не е поставен на рамна површина. Значи, ставете го уредот на рамно и тешко место за да се намали бучавата.

Проблем IV: Компресорот не работи.

Причина: Вклучете ја заштитата за време на одложување на компресорот. Затоа, почекајте 3 минути додека не се намали температурата, а потоа повторно вклучете ја машината.

Проблем V: Далечинскиот управувач не работи.

Причина 1: Растојанието помеѓу машината и далечинскиот управувач е премногу далеку. Значи, оставете го далечинскиот управувач да се приближи до климатизацијата и проверете дали далечинскиот управувач директно се свртува кон насоката на ресиверот на далечинскиот управувач.

Причина 2: Далечинскиот управувач не е усогласен со насоката на ресиверот на далечинскиот управувач. Значи, оставете го далечинскиот управувач да се приближи до климатизацијата и проверете дали далечинскиот управувач директно се свртува кон насоката на ресиверот на далечинскиот управувач.

Причина 3: Батериите се мртви. Така, заменете ги батериите.

Проблем V: Приказ на екранот: „E1“.

Причина: Сензорот за температура на цевката е ненормален. Затоа, контактирајте ја професионалната услуга за помош.

Проблем VI: Приказ на екранот: „E2“.

Причина: Сензорот за температура во просторијата е ненормален. Затоа, контактирајте ја професионалната услуга за помош.

Забелешка: кога ќе се појават абнормални ситуации, исклучете ја машината и извлечете го приклучокот, а потоа контактирајте со стручна служба за помош.

Не поправајте го уредот сами. Неквалификуваната поправка ќе ја поништи гаранцијата.

ТЕХНИЧКИ ПОДАТОЦИ:

Капацитет за ладење на BTU: 12000 BTU / час

Капацитет за ладење во вати: 3520 W

Потрошувачка на енергија (ладење) во вати: 1350 W
Проток на воздух: 400 m³ / час
Капацитет на сушење: 28 литри / 24 часа
Класа на енергија: A
Тајмер: 1-24 часа
Агент за ладење: R290, 230 грама
Ниво на бучава: <65dB
Напон: 220-240 V ~ 50Hz



Внимание, ризик од пожар.
НЕ пирснувајте или изгорувајте.
Бидете свесни дека ладилното средство може да не содржи
мирс..



Се грижime за природната средина. Картонските паковки молиме да се наменат за рециклирање. Полиетиленовите кеси (PE) да се фрлат во контејнер за пластика. Искористениот уред треба да се предаде во соодветниот складирачки пункт, бидејќи небезбедните состојки кои се наоѓаат во уредот можат да бидат загрозување за средината. Електричниот уред треба да се предаде на начин кој ќе оневозможи негова повторна употреба и искористување. Доколку во уредот има батерии, треба да се извадат и посебно да се предадат во складирачкиот пункт.

SLOVENSKY

VSEOBECNE BEZPECNOSTNE PODMIENKY

DÔLEŽITÉ BEZPEČNOSTNÉ POKYNY ČÍTAJTE POZORNE A ULOŽTE DO BUDÚCNOSTI

1. Pred použitím zariadenia si prečítajte návod na obsluhu a postupujte podľa pokynov v ňom uvedených. Výrobca nezodpovedá za škody spôsobené používaním zariadenia v rozpore s jeho určeným účelom alebo nesprávnou obsluhou.
2. Zariadenie je určené iba na domáce použitie. Nepoužívajte na iné účely, než na ktoré sú určené.
3. Zariadenie by malo byť pripojené iba k sieťovej zásuvke s uzemneným 220 240 V ~ 50 Hz. Z dôvodu zvýšenia prevádzkovej bezpečnosti by viac elektrických zariadení nemalo byť pripojené k jednému prúdovému obvodu súčasne.
4. Pri používaní zariadenia, keď sú deti v blízkosti, buďte veľmi opatrní. Nedovoľte deťom hrať sa so zariadením, nedovoľte deťom ani osobám oboznámeným so zariadením používať.
5. **VÝSTRAHA:** Toto zariadenie môžu používať deti staršie ako 8 rokov a ľudia s obmedzenými fyzickými, zmyslovými alebo mentálnymi schopnosťami alebo ľudia, ktorí nemajú skúsenosti s týmto vybavením, ak sa to deje pod dohľadom zodpovednej osoby, pre svoju bezpečnosť alebo im boli poskytnuté informácie o bezpečnom používaní pomôcky a sú si vedomí nebezpečenstva pri jej používaní. Deti by sa s týmto zariadením nemali hrať. Čistenie a údržba prístroja by nemali vykonávať deti, pokiaľ nie sú staršie ako 8 rokov a tieto činnosti sa vykonávajú pod dohľadom.
6. Po použití vždy odpojte sieťovú zástrčku tak, že budete držať zásuvku rukou. **NEVYŤAHUJTE** napájací kábel.
7. Kábel, zástrčku a celé zariadenie neponárajte do vody ani inej kvapaliny. Nevystavujte zariadenie poveternostným vplyvom (dážď, slnko atď.) Ani ho nepoužívajte v podmienkach vysokej vlhkosti (kúpeľne, vlhké mobilné domy).
8. Pravidelne kontrolujte stav napájacieho kábla. Ak je napájací kábel poškodený, mal by

sa vymeniť v odbornom servise, aby sa predišlo nebezpečenstvu.

9. Nepoužívajte spotrebič s poškodeným napájacím káblom alebo ak spadol alebo je poškodený iným spôsobom alebo ak nefunguje správne. Neopravujte prístroj sami, mohlo by dôjsť k úrazu elektrickým prúdom. Poškodené zariadenie odneste na kontrolu alebo opravu do príslušného servisného strediska. Všetky opravy smie vykonávať iba autorizovaný servis. Nesprávne vykonané opravy môžu pre používateľa predstavovať vážne nebezpečenstvo.

10. Zariadenie umiestnite na chladný a stabilný povrch, mimo dosahu horúcich kuchynských spotrebičov, ako sú: elektrický sporák, plynový horák atď.

11. Skontrolujte, či nič neblokuje vstup a výstup vzduchu zo zariadenia

12. Používajte zariadenie iba na rovnom povrchu, aby sa zabránilo vyliatiu kondenzátu

13. Na zabezpečenie dodatočnej ochrany sa odporúča nainštalovať do elektrického obvodu zariadenie na zvyškový prúd (RCD) s menovitým zvyškovým prúdom nepresahujúcim 30 mA. Požiadajte o to elektrikára.

14. Pravidelne čistite vzduchový filter. Frekvencia čistenia závisí od čistoty vzduchu.

15. Po vypnutí stroja počkajte aspoň 5 minút, kým ho znova zapnete.

16. Nepoužívajte zariadenie na slnečných miestach. Keď sa zariadenie prehrieva, zapne sa ochrana pred prehriatím.

17. Na zabezpečenie účinného chladenia by sa medzi bočnými stenami zariadenia a stenou alebo nábytkom alebo záclonami mala udržiavať vzdialenosť najmenej 50 cm.

18. Vzhľadom na obmedzený výkon zariadenia, ak je rozdiel medzi cieľovou teplotou a okolitou teplotou príliš veľký, cieľová teplota sa nemusí dosiahnuť.

19. Aby ste znížili riziko požiaru, úrazu elektrickým prúdom alebo zranenia pri používaní klimatizácie, dodržiavajte tieto základné bezpečnostné opatrenia:

a) Pripojte k uzemnenej zásuvke pomocou 3 pinov.

b) Nevyberajte uzemňovací kolík.

c) Nepoužívajte adaptér.

d) Nepoužívajte predlžovací kábel.

e) Pred servisom odpojte klimatizačnú jednotku.

f) Na premiestnenie a inštaláciu klimatizácie použite dve alebo viac osôb.

20. Nepoužívajte iné prostriedky, ktoré urýchľujú proces rozmrazovania alebo čistenia, iné ako tie, ktoré odporúča výrobca.

21. Zariadenie by sa malo skladovať v miestnosti bez neustáleho fungovania zdrojov zapálenia, napríklad: otvorený oheň, plynové spotrebiče alebo elektrické ohrievače.

POPIS ZARIADENIA

1. Ovládací panel

2. Nastaviteľný odvodušňovací ventil

3. Teleso vzduchového filtra

4. Prívod vzduchu

5. Miesto zástrčky

6. Armatúra výfukového potrubia

7. Odtokový otvor na nepretržité vypúšťanie vody

8. Vypúšťací otvor pre úplné vypustenie vody zo zariadenia

9. TIMER tlačidlo

10. Tlačidlo ventilátora

11. Tlačidlo teploty a času NAHOR / NADOL

12. Tlačidlo voľby režimu
13. Tlačidlo POWER
14. LCD displej
15. Tlačidlo vertikálnej oscilácie
16. Tlačidlo na zmenu jednotky teploty
17. Tlačidlo režimu SLEEP
18. Kontrolka plného zásobníka na vodu „FL“
19. Výfukové potrubie
20. Zostava tesniacej dosky okna
21. Poistná skrutka
22. Klínový blok pre horný filter
23. Klínový blok pre spodný filter

NASADENIE

Pred prvým použitím zostavte zariadenie nasledovne:

1. Zariadenie by malo byť umiestnené na rovnom povrchu. Vzdialenosť od steny alebo iných predmetov musí byť najmenej 50 cm, aby sa neobmedzilo prúdenie vzduchu - pozri obrázok 6. Neinštalujte a nepoužívajte zariadenie v kúpeľni alebo v iných vlhkých prostrediach.
 2. Nainštalujte zostavu tesniacej dosky okna (20):
 - a) Polovica otvoru okna a pripevnite zostavu tesniacej dosky okna (20) k oknu (ako je znázornené na obrázku 5); Zostava (20) môže byť umiestnená v horizontálnom a vertikálnom smere.
 - b) Potiahnite rôzne komponenty zostavy tesniacej dosky okna, otvoríte ju, upravte vzdialenosť otvorov tak, aby sa oba konce zostavy dostali do kontaktu s rámom okna, a pripevnite komponenty zostavy.
 3. Predĺžte výfukové potrubie (19) a zalomte plochý koniec spojov tepelných potrubí do eliptického otvoru zostavy tesniacej dosky okna (ako je znázornené na obrázku 6).
- Poznámky: 1. plochý koniec spojov výfukových potrubí musí byť zaklapnutý na svoje miesto.
 4. Dĺžka výfukovej hadice musí byť 280 ~ 1 500 mm, nesmie sa zdeformovať ani sa nesmie výrazne otáčať (viac ako 45 °). Výfuk musí byť voľný; v opačnom prípade môže dôjsť k prehriatiu. Nepoužívajte predĺžovacie trubice ani ich nevymieňajte za iné rôzne hadice, pretože to môže spôsobiť poruchu.

PREVÁDZKA ZARIADENIA

Po pripojení zariadenia k sieti bude bzučiak prehrávať hudbu pri zapnutí, prepne sa do pohotovostného režimu a zobrazí aktuálnu teplotu okolia.

1. Na zapnutie alebo vypnutie zariadenia stlačte tlačidlo (13).
2. Stlačením tlačidla (12) vyberte jeden z dostupných režimov: COOL -> FAN -> SUCHÉ
3. V režime COOL nastavte teplotu pomocou tlačidla UP / DOWN (11). Nie je k dispozícii v režime ventilátora a odvlhčovania.)
4. V režimoch COOL alebo FAN nastavte pomocou tlačidla FAN (10) rýchlosť ventilátora: STRONG (F3), MEDIUM (F2), WEAK (F1). Prevádzka rýchlosti vetra je obmedzená protichladnými podmienkami, za určitých podmienok však nemusí bežať podľa nastavenej rýchlosti vetra. V režime DRY sa ventilátor automaticky nastaví na úroveň WEAK.
5. Keď je zariadenie vypnuté, môže sa zapnúť s oneskorením stlačením tlačidla TIMER (9). Stlačením tlačidiel HORE / DOLE (11) nastavte čas aktivácie zariadenia výberom času v rozsahu 1-24 hodín. Keď je zariadenie zapnuté, možno ho s oneskorením vypnúť stlačením tlačidla TIMER (9). Stlačením tlačidiel HORE / DOLE (11) nastavte čas vypnutia prístroja výberom času v rozsahu 1-24 hodín.
6. Súčasným stlačením tlačidiel NAHOR (11) a FAN (10) alebo stlačením tlačidla SLEEP (17) na diaľkovom ovládači sa dá prístroj prepnúť do režimu spánku. Zariadenie potom bude pracovať ticho v režime úspory energie. Táto funkcia je k dispozícii iba v režime COOL, nie je k dispozícii v režimoch FAN a DRY.
7. Jednotky (<->) požadovanej izbovej teploty sa dajú zmeniť stlačením tlačidla (16) na diaľkovom ovládači alebo súčasným stlačením oboch tlačidiel hore (11) a dole (11) na prepínanie medzi stupňami Celzia (°C), a Fahrenheit (°F).
8. Stlačením tlačidla (15) spustíte vzduchové kmitanie, rolety sa budú pohybovať vertikálne. Opätovným stlačením zastavíte osciláciu vzduchu.

POKYNY NA ODVODOVANIE

RUČNÉ VYPÚŠŤANIE: Keď voda vo vodnej vani prekročí výstražnú úroveň, zariadenie automaticky vydá výstrahu a oblasť LCD displeja (14) zobrazí „FL“. Rozsvieti sa tiež kontrolka PLNEJ vody (18). Potom zariadenie vypnete a vytiahnite zástrčku zo zásuvky. Premiestnite zariadenie opatrne, aby sa voda nerozliala do vodnej vane na spodnej strane krytu. Potom vložte nejaký kontajner (nie je súčasťou súpravy) pod odtokový otvor (8), odskrutkujte ho a odstráňte uzáver uzatvárajúci otvor - pozri obrázok 7. Nechajte vodu vytekať, počas odtoku sa dá kryt mierne nakloniť dozadu. , Potom ho znova nainštalujte a zapnite zariadenie.

KONTINUÁLNE VYPÚŠŤANIE: V režime COOL a DRY môžete potrubie (nie je súčasťou súpravy) pripojiť k trvalému odtoku - obrázok 9. Na tento účel odskrutkujte a odstráňte uzáver uzatvárajúci otvor nepretržitého odtoku vody (7). Potom do odtoku vody vložte odtokovú hadicu (nie je súčasťou súpravy) a druhý koniec vložte do priestrannej nádoby.

OCHRANNÉ ZARIADENIA

1. Funkcia ochrany proti mrazu: v režime chladenia, odvlhčovania alebo úspory energie, ak je teplota výfukového potrubia príliš nízka, stroj automaticky vstúpi do stavu ochrany; ak teplota výfukového potrubia stúpne na určitú teplotu, môže sa automaticky vrátiť k normálnej prevádzke.

2. Funkcia ochrany proti pretečeniu: prečítajte si kapitolu NÁVOD NA ODPADY. Po vyprázdnení vody sa zariadenie automaticky vráti do pôvodného stavu.
3. Automatické rozmrazovanie: zariadenie má funkciu automatického odmrazovania: počas odmrazovania bude na displeji blikať symbol vykurovania.
4. Ochranná funkcia kompresora: na zvýšenie životnosti kompresora má ochranná funkcia spúšťania systému 3 minúty po vypnutí kompresora.

ČISTENIE A ÚDRŽBA

Čistenie: pred čistením a údržbou vypnite zariadenie a odpojte zástrčku.

1) Čistenie krytu

Čistite povrchom zariadenia navlhčenou mäkkou handričkou. Nepoužívajte chemikálie, ako je benzén, alkohol, benzín, inak sa povrch zariadenia poškodí alebo poškodí celý stroj.

2) Čistenie čistých filtrov

Ak je filter upchaný prachom, účinnosť zariadenia sa zníži. Uistite sa, že filter čistíte raz za dva týždne. Vyčistite horný a dolný rám filtra po jeho odstránení zo zadnej strany zariadenia - obrázok 8.

* Horný rám obrazovky filtra: Prilepte klinový blok rámu obrazovky filtra rukami. Vynútením zvonka smerom nadol odstránite rám obrazovky filtra. Odskrutkujte štyri skrutky upevňujúce filtračnú clonu a zadný kryt, aby ste odstránili filtračnú clonu (ako je znázornené na obrázku 8).

* Dolný rám obrazovky filtra: Držte rukoväť rámu obrazovky filtra a jemne ju vytiahnite smerom von, aby ste ju odstránili.

* Vložte obidve sitá filtra do teplej vody s neutrálnym čistiacim prostriedkom (asi 40 °C / 104 °F) a po vyčistení opláchnite ich v tieni.

skladovanie

Ak zariadenie nebudete dlhší čas používať, postupujte takto:

1. Vytiahnite odtokovú zátku (8), aby vytekla voda.
2. Nechajte zariadenie bežať v režime ventilátora 2 hodiny, aby vyschlo vnútorné zariadenie.
3. Vypnite zariadenie a vytiahnite zástrčku.
4. Vyčistite a vysušte filtre a potom ich znova nainštalujte.
5. Vytiahnite výfukové potrubie, aby ste ho bezpečne udržiavali.
6. Vložte zariadenie do plastového vrečka a položte ho na suché miesto.
7. Vyberte batérie z diaľkového ovládača a riadne ich uschovajte.

RIEŠENIE PROBLÉMOV

Problém I.: Klimatizácia nefunguje.

Dôvod 1: Neexistuje elektrina. Takže ho po pripojení do zásuvky s elektrickou energiou zapnite.

Dôvod 2: Kontrolka úplného naplnenia vodou zobrazuje „FL“. Takže vypúšťajte vodu.

Dôvod 3: V režime chladenia je teplota v miestnosti nižšia ako nastavená teplota. Takže, zmeniť úroveň teploty.

Dôvod 4: V režime odvlhčovania je okolitá teplota nízka. Upozorňujeme, že zariadenie je umiestnené v miestnosti s okolitou teplotou vyššou ako 17 °C (62 °F).

Dôvod 5: Okolitá teplota je príliš nízka alebo príliš vysoká. Plánovaná prevádzková teplota zariadenia je 7-35 °C (44-95 °F).

Problém II.: Chladiaci účinok nie je dobrý.

Dôvod 1: Priame slnečné svetlo. Nakreslili ste záclony.

Dôvod 2: Dvere a okná sú otvorené, v miestnosti je veľa zdrojov tepla. Zatvorte tak dvere a okná, presuňte zdroje tepla.

Dôvod 3: Filtre sú príliš znečistené. Vyčistite alebo vymeňte filtre.

Dôvod 4: Prívod vzduchu alebo prívod vzduchu je zablokovaný. Odstráňte zablokovanie.

Problém III.: Veľký hluk

Dôvod: Zariadenie nie je umiestnené na rovnom povrchu. Zariadenie preto položte na rovné a ťažké miesto, aby sa znížil hluk.

Problém IV.: Kompresor nefunguje.

Dôvod: Je zapnutá ochrana proti oneskoreniu kompresora. Počkajte 3 minúty, kým sa teplota nezniží, a potom reštartujte zariadenie.

Problém V.: Diaľkové ovládanie nefunguje.

Dôvod 1: Vzdialenosť medzi zariadením a diaľkovým ovládaním je príliš veľká. Dajte teda diaľkové ovládanie do blízkosti klimatizácie a uistite sa, že diaľkové ovládanie smeruje priamo k prijímaču diaľkového ovládania.

Dôvod 2: Diaľkové ovládanie nie je zarovnané so smerom prijímača diaľkového ovládania. Dajte teda diaľkové ovládanie do blízkosti klimatizácie a uistite sa, že diaľkové ovládanie smeruje priamo k prijímaču diaľkového ovládania.

Dôvod 3: Batérie sú vybité. Vymeňte preto batérie.

Problém V.: Na displeji sa zobrazí: „E1“.

Dôvod: Snímač teploty potrubia je neobvyklý. Preto požiadajte o pomoc odborný servis.

Problém VI.: Na displeji sa zobrazí: „E2“.

Dôvod: Snímač teploty miestnosti je neobvyklý. Preto požiadajte o pomoc odborný servis.

Poznámka: Ak sa vyskytnú neobvyklé situácie, stroj vypnite a vytiahnite zástrčku a potom sa obráťte na odborný servis.

Neopravujte prístroj sami. Nesprávna oprava zruší záruku.

TECHNICKÉ DÁTA:

Chladiaca kapacita pri BTU: 12000 BTU / hod

Chladiaci výkon vo wattoch: 3520 W

Spotreba energie (chladenie) vo wattoch: 1350 W

Prietok vzduchu: 400 m³ / hod

Sušiacia kapacita: 28 litrov / 24 hodín

Energetická trieda: A

Časovač: 1-24 hodín

Chladiace činidlo: R290, 230 gramov

Hladina hluku: <65 dB

Napätie: 220 - 240 V ~ 50 Hz



Pozor, nebezpečenstvo požiaru.

NEPrepichujte ani nespálujte.

Majte na pamäti, že chladivo nemusí obsahovať zápach.



Starostlivosť o životné prostredie. Kartónový obal odovzdajte do zberných surovín. Polyetylénové vrecká (PE) vyhodte do kontajnera na plast.

Opotrebený spotrebič odovzdajte na príslušný zberný dvor, nebezpečné látky spotrebiča môžu predstavovať riziko pre životné prostredie.

Elektrospotrebič odstráňte tak, aby nedochádzalo k jeho ďalšiemu použitiu. Ak sa v spotrebiči nachádzajú batérie, vyberte ich a odovzdajte ich na zberné miesto osobitne. Spotrebič nevyhadzujte do kontajnera na komunálny odpad!

KARTA GWARANCYJNA

WARUNKI GWARANCJI obowiązują na terenie Rzeczypospolitej Polskiej Adler Sp. z o.o. ul. Ordona 2a 01-237 Warszawa zapewnia Użytkownika o dobrej jakości sprzętu, na który wydana jest niniejsza karta gwarancyjna i udziela 24 miesięcznej gwarancji, która liczy się od daty zakupu sprzętu. Usługi gwarancyjne świadczone są po okazaniu prawidłowo wypełnionej karty gwarancyjnej. Wady lub uszkodzenia sprzętu ujawnione w okresie gwarancji usuwane będą bezpłatnie przez Serwis Centralny. W przypadku zakupu sprzętu przez przedsiębiorcę (faktura VAT) okres gwarancji wynosi 12 miesięcy. Powyższy zapis nie dotyczy jednoosobowych działalności gospodarczych, o ile rodzaj zakupionego sprzętu, nie jest związany z profilem prowadzonej działalności gospodarczej – weryfikacja w CEIDG.

W przypadku wymiany rzeczy na nową, albo po dokonaniu istotnej naprawy, okres gwarancji biegnie na nowo od chwili dostarczenia klientowi rzeczy wolnej od wad, lub zwrócenia rzeczy naprawionej. Jeżeli gwarant wymienił część rzeczy, przepis powyższy stosuje się odpowiednio do części wymienionej. Gwarant zobowiązuje się pokryć koszty dostarczenia rzeczy do serwisu na adres wskazany w karcie gwarancyjnej. Jednakże uprawniony z gwarancji powinien zachować rozsądek, wybierając środek transportu. Uprawnionemu z gwarancji nie przysługują od gwaranta zwrot kosztów dostarczenia towaru – rzeczy do naprawy gwarancyjnej, przekraczający ekonomicznie uzasadnione koszty przewozu.

UWAGA: Sprzęt przeznaczony jest wyłącznie do użytku domowego. Naprawami gwarancyjnymi nie są objęte czynności związane z odkamienianiem, konserwacją, czyszczeniem urządzenia oraz części i akcesoria ulegające zużyciu przy normalnym użytkowaniu. Gwarancja nie obejmuje mechanicznych uszkodzeń sprzętu oraz wad i uszkodzeń wynikłych wskutek:

- niewłaściwego lub niezgodnego z instrukcją użytkowania, przechowywania i konserwacji;
- ingerencji nieautoryzowanego serwisu, samowolnych napraw, przeróbek i zmian konstrukcyjnych;
- użycia niewłaściwych materiałów eksploatacyjnych.
- uszkodzeń mechanicznych, termicznych, chemicznych i powstałych na skutek przepięcia w sieci.
- karta gwarancyjna jest nieważna bez daty zakupu, pieczęci sprzedającego i kopii dokumentu zakupu.
- gwarancją nie są objęte elementy eksploatacyjne i akcesoria w tym: elementy szklane (np. dzbanki, talerze), sznury przyłączeniowe, sieciowe, żarówki, baterie, nożyki i folie do urządzeń tnących, nasadki miksujące, trzepaki, mieszaki, ssawkoszczotki, rury, węże, kubki miksujące, głowice tnące i sita.

Reklamowany sprzęt jest dostarczany do Serwisu Centralnego przez Klienta w stanie kompletnym i odpowiednio zabezpieczony na czas transportu. Po dokonanej naprawie reklamowany sprzęt odbierany jest z Serwisu Centralnego przez Klienta.

Termin usunięcia wady może zostać wydłużony o czas potrzebny do importu niezbędnych części, nie dłuższy niż 30 dni roboczych. W każdym takim przypadku warsztat serwisowy powiadomi klienta o wydłużeniu terminu naprawy gwarancyjnej. W związku z koniecznością sprowadzenia części zamiennych i poinformuje o nowym terminie usunięcia wady.

W przypadku stwierdzenia usterki należy ją zgłosić w punkcie sprzedaży lub w Serwisie Centralnym, ul. Ordona 2A, 01-237 Warszawa, tel. 728-595-006 lub e-mail: serwis@adler.com.pl.

W zgłoszeniu proszę podać swój adres, nr telefonu i opis usterki. Do reklamacji konieczne jest dołączenie kopii dokumentu zakupu.

Gwarancja nie wyłącza ani nie ogranicza oraz nie zawieszają uprawnień kupującego wynikających z przepisów o rękojmi za wady rzeczy sprzedanej.



adnotacje serwisu:

SERWIS CENTRALNY
01-237 Warszawa ul.Ordona 2A
tel. 728 - 595 - 006
serwis@adler.com.pl www.adler.com.pl

.....
(data sprzedaży)
.....
(pieczęć sklepu i podpis sprzedawcy)

W trosce o środowisko..

Opakowania kartonowe oraz worki polietylenowe (PE) należy wrzucać do odpowiednich pojemników przeznaczonych do selektywnej zbiórki odpadów komunalnych zgodnie z ich opisem. Jeżeli w urządzeniu znajdują się baterie, należy je wyjąć i osobno oddać do punktu zbierania i składowania. Zużyte urządzenia należy oddać do odpowiedniego punktu zbierania i składowania, gdyż znajdujące się w nim niebezpieczne substancje mogą stanowić zagrożenie dla zdrowia i środowiska. Oznaczenie umieszczone na produkcie wskazuje, że urządzenia nie należy wyrzucać do pojemnika z odpadami komunalnymi.

Zużyty sprzęt elektryczny, to odpady, które zawierają substancje szkodliwe dla ludzi, zwierząt i środowiska. Substancje te mogą doprowadzić do zanieczyszczenia gleby, wody lub powietrza, a poprzez to mogą się dostać do organizmu człowieka i doprowadzić do licznych dolegliwości zdrowotnych, takich jak: zaburzenia wzroku, słuchu, mowy, mogą również doprowadzić do uszkodzenia nerek, wątroby i serca, oraz wywołać choroby skóry. Substancje szkodliwe mogą mieć również niekorzystny wpływ na układ oddechowy i rozrodczy oraz doprowadzić do zamian nowotworowych. Spożycie roślin rosnących na skażonych glebach, oraz produktów powstałych z nich może grozić w/w skutkami zdrowotnymi.

Urządzenia nie wyrzucać do pojemnika na odpady komunalne !!!!

OGÓLNE WARUNKI BEZPIECZEŃSTWA
WAŻNE INSTRUKCJE DOTYCZĄCE BEZPIECZEŃSTWA UŻYTKOWANIA PRZECZYTAJ
UWAŻNIE I ZACHOWAJ NA PRZYSZŁOŚĆ

1. Przed rozpoczęciem użytkowania urządzenia należy przeczytać instrukcję obsługi i postępować według wskazówek w niej zawartych. Producent nie odpowiada za szkody spowodowane użytkowaniem urządzenia niezgodnie z jego przeznaczeniem lub niewłaściwą jego obsługą.
2. Urządzenie służy wyłącznie do użytku domowego. Nie używać do innych celów, niezgodnych z jego przeznaczeniem.
3. Urządzenie należy podłączyć wyłącznie do gniazdka prądu przemiennego z uziemieniem 220-240V ~50Hz. W celu zwiększenia bezpieczeństwa użytkownika do jednego obwodu prądu nie należy równocześnie włączać wielu urządzeń elektrycznych.
4. Należy zachować szczególną ostrożność podczas korzystania z urządzenia, gdy w pobliżu przebywają dzieci. Nie należy dopuszczać dzieci do zabawy urządzeniem nie pozwól dzieciom ani osobom nie zaznajomionym z urządzeniem na jego użytkowanie.
5. **OSTRZEŻENIE:** Niniejszy sprzęt może być użytkowany przez dzieci powyżej 8 roku życia oraz osoby o ograniczonej zdolności fizycznej, czuciowej lub psychicznej, lub osoby nie mające doświadczenia lub znajomości sprzętu, jeśli odbywa się to pod nadzorem osoby odpowiedzialnej za ich bezpieczeństwo lub zostały im udzielone wskazówki na temat bezpiecznego użytkowania urządzenia i mają świadomość niebezpieczeństwa związanego z jego użytkowaniem. Dzieci nie powinny bawić się sprzętem. Czyszczenie i konserwacja urządzenia nie powinna być wykonywana przez dzieci, chyba że są powyżej 8 roku życia a czynności te są wykonywane pod nadzorem.
6. Zawsze po zakończeniu używania, wyjmij wtyczkę z gniazda zasilającego poprzez przytrzymanie gniazdka ręką. **NIE** ciągnąć za sznur sieciowy.
7. Nie zanurzać kabla, wtyczki oraz całego urządzenia w wodzie lub innej cieczy. Nie wystawiaj urządzenia na działanie warunków atmosferycznych (deszczu, słońca, etc.) ani nie używaj w warunkach podwyższonej wilgotności (łazienki, wilgotne domki kempingowe).
8. Okresowo sprawdzaj stan przewodu zasilającego. Jeżeli przewód zasilający jest uszkodzony, to powinien on być wymieniony przez specjalistyczny zakład naprawczy w celu uniknięcia zagrożenia.
9. Nie używaj urządzenia z uszkodzonym przewodem zasilającym lub jeśli zostało upuszczone lub uszkodzone w jakikolwiek inny sposób lub nieprawidłowo pracuje. Nie naprawiaj urządzenia samodzielnie, gdyż grozi to porażeniem. Uszkodzone urządzenie oddaj do właściwego punktu serwisowego w celu sprawdzenia lub dokonania naprawy. Wszelkich napraw mogą dokonywać wyłącznie uprawnione punkty serwisowe. Nieprawidłowo wykonana naprawa może spowodować poważne zagrożenie dla użytkownika.
10. Należy stawiać urządzenie na chłodnej stabilnej, równej powierzchni, z dala od nagrzewających się urządzeń kuchennych jak: kuchenka elektryczna, palnik gazowy, itp..
11. Upewnij się, że nic nie blokuje wlotu i wylotu powietrza do urządzenia
12. Używaj urządzenia tylko na równej poziomej powierzchni by zapobiec wylaniu się skroplonej wody

13. Do zapewnienia dodatkowej ochrony, wskazane jest zainstalowanie w obwodzie elektrycznym, urządzenia różnicowoprądowego (RCD) o znamionowym prądzie różnicowym nie przekraczającym 30mA. W tym zakresie należy zwrócić się do specjalisty elektryka.
14. Czyść regularnie filtr powietrza. Częstotliwość czyszczenia zależy od czystości powietrza.
15. Po wyłączeniu urządzenia odczekaj co najmniej 5 minut przed ponownym włączeniem.
16. Nie używaj urządzenia w nasłonecznionych miejscach. Kiedy urządzenie przegrzeje się, zabezpieczenie przed przegrzaniem włączy urządzenie.
17. Dla zapewnienia efektywnego chłodzenia należy zachować odstęp co najmniej 50 cm między ściankami bocznymi urządzenia, a ścianą bądź meblami czy zasłonami.
18. Ze względu na ograniczoną wydajność urządzenia, przy zbyt dużej różnicy między temperaturą docelową a temperaturą otoczenia, temperatura docelowa może nie zostać osiągnięta.
19. W celu zmniejszenia ryzyka pożaru, porażenia prądem lub obrażeń podczas korzystania z klimatyzatora, należy przestrzegać następujących podstawowych środków ostrożności:
 - a) Podłącz do uziemionego gniazdka z 3 bolcami.
 - b) Nie usuwaj bolca uziemienia.
 - c) Nie używaj adaptera.
 - d) Nie używaj przedłużacza.
 - e) Odłącz klimatyzator przed serwisowaniem.
 - f) Użyj dwóch lub więcej osób, aby przenieść i zainstalować klimatyzator.
20. Nie należy używać środków przyspieszających proces rozmrażania lub czyszczenia innych niż zalecane przez producenta.
21. Urządzenie należy przechowywać w pomieszczeniu bez stale działających źródeł zapłonu, na przykład: otwartego ognia, urządzeń gazowych lub grzejników elektrycznych.

OPIS PRODUKTU

1. Panel sterowania
2. Regulowany nawiew
3. Obudowa filtra powietrza
4. Wlot powietrza
5. Miejsce na wtyczkę
6. Złączka rury wywiewu
7. Otwór spustowy do ciągłego odprowadzania wody
8. Otwór spustowy do całkowitego odprowadzenia wody z urządzenia
9. Przycisk TIMERA
10. Przycisk wentylatora FAN
11. Przycisk UP / DOWN - W GÓRĘ / W DÓŁ temperatury i czasu
12. Przycisk wyboru trybu
13. Przycisk mocy POWER
14. Wyświetlacz LCD
15. Przycisk pionowej oscylacji powietrza
16. Przycisk zmiany jednostki temperatury
17. Przycisk trybu uśpienia SLEEP

18. Lampka kontrolna pełnego zbiornika wody „FL”
19. Rura wywiewu
20. Płyta uszczelniająca okno
21. Śruba mocująca
22. Zatrask ramki górnego filtra
23. Zatrask ramki dolnego filtr

MONTAŻ

Przed pierwszym użyciem zmontuj urządzenie jak poniżej:

1. Urządzenie należy ustawić na płaskiej powierzchni. Odległość od ściany lub innych przedmiotów powinna wynosić co najmniej 50 cm, aby nie ograniczać przepływu powietrza - patrz zdjęcie 6. Nie instaluj i nie używaj urządzenia w łazience lub w innych bardzo wilgotnych miejscach.
2. Montaż płyty uszczelniającej okno (20):
 - a) Otwórz okno do połowy i zamontuj płytę uszczelniającą okno (20) do okna (jak pokazano na rysunku 5); płyta (20) może być umieszczony w kierunku poziomym i pionowym.
 - b) Rozsuń różne elementy płyty uszczelniającej okno, dostosuj odległość otwarcia, aby oba końce płyty zetknęły się z ramą okna, i zamocuj elementy płyty.
3. Wydłuży rurę wywiewu (19) i zatrzaśnij płaski koniec połączeń rurki wywiewu w eliptycznym otworze płyty uszczelniającej okno (jak pokazano na rysunku 6).

Uwagi: 1. płaski koniec połączenia rury wywiewu musi zostać zatrzaśnięty na swoim miejscu.

4. Długość rury wywiewu powinna wynosić 280 ~ 1 500 mm, rura nie może być zniekształcona, ani obrócona o więcej niż 45 °. Rura musi być drożna, w przeciwnym razie może to spowodować przegrzanie. Nie używaj przedłużaczy ani nie wymieniaj rur na inne, ponieważ może to spowodować nieprawidłowe działanie.

DZIAŁANIE URZĄDZENIA

Po podłączeniu urządzenia do sieci, brzęczyk odtworzy muzykę po włączeniu, przejdzie w tryb gotowości i wyświetli aktualną temperaturę otoczenia.

1. Aby włączyć lub wyłączyć urządzenie, naciśnij przycisk (13).
2. Naciśnij przycisk (12), aby wybrać jeden z dostępnych trybów: CHŁODZENIE COOL -> WENTYLATOR FAN -> OSUSZANIE DRY.
3. W trybie CHŁODZENIA ustaw temperaturę za pomocą przycisków W GÓRĘ UP/DOWN W DÓŁ (11). Przyciski nie są dostępne w trybie wentylatora i osuszania.
4. W trybach CHŁODZENIA COOL lub WENTYLACJI FAN użyj przycisku WENTYLATORA FAN (10), aby ustawić prędkość wentylatora: MOCNY (F3), ŚREDNI (F2), SŁABY (F1). Jednak prędkość nawiewu może zostać ograniczona chroniąc urządzenie przed zbyt dużym zasrzeniem, dlatego w pewnych warunkach nawiew może nie działać zgodnie z ustawioną prędkością wiatru. W trybie OSUSZANIA DRY wentylator jest automatycznie ustawiany na poziom SŁABY (F1).
5. Gdy urządzenie jest wyłączone, można je włączyć z opóźnieniem, naciskając przycisk TIMER (9). Naciśnij przycisk W GÓRĘ UP/DOWN W DÓŁ (11), aby ustawić czas aktywacji urządzenia, wybierając czas z zakresu od 1 do 24 godzin. Gdy urządzenie jest włączone, można je wyłączyć z opóźnieniem, naciskając przycisk TIMER (9). Naciśnij przycisk W GÓRĘ / W DÓŁ (11), aby ustawić czas wyłączenia urządzenia, wybierając czas z zakresu 1-24 godzin.
6. Naciskając jednocześnie przycisk W GÓRĘ UP (11) i przycisk WENTYLATORA FAN (10) lub naciskając przycisk UŚPIENIA SLEEP (17) na pilocie, można przełączyć urządzenie w tryb uśpienia. Następnie urządzenie będzie działać cicho w trybie oszczędzania energii. Ta funkcja jest dostępna tylko w trybie CHŁODZENIA COOL, niedostępna w trybach WENTYLATOR FAN i OSUSZANIE DRY.
7. Jednostki wymaganej temperatury pokojowej (°C <-> °F) można zmienić, naciskając przycisk (16) na pilocie lub jednocześnie naciskając oba przyciski w górę UP (11) i w dół DOWN(11), aby przełączać się między stopniami Celsjusza (°C) i Fahrenheit (°F).
8. Naciśnij przycisk (15) aby uruchomić oscylację powietrza, żaluzje rozpoczną poruszać się w pionie. Naciśnij ponownie, aby zatrzymać oscylację powietrza.

INSTRUKCJA ODPROWADZANIA WODY

RĘCZNE SPUSZCZANIE WODY: Gdy woda w zbiorniku na wodę przekroczy poziom ostrzegawczy, urządzenie automatycznie wyemituje alarm, a obszar wyświetlacza LCD (14) pokaże „FL”. Zaświeci się również lampka kontrolna FULL pełno wody (18). Wówczas wyłącz urządzenie i wyjmij wtyczkę z gniazdka. Ostrożnie przesuwaj urządzenie, aby nie rozlać wody z miski na wodę na spodzie obudowy. Następnie umieść pojemnik (nie dołączony w zestawie) pod otworem drenażowym (8), odkręć zawór i zdejmij korek zamykający otwór - patrz zdjęcie 7. Pozwól wodzie wylać się, podczas odwadniania obudowę można lekko przechylić do tyłu. Następnie zainstaluj korek ponownie i włącz urządzenie.

CIĄGŁE ODWADNIANIE: W trybie CHŁODZENIA i OSUSZANIA można podłączyć rurę do stałego drenażu (nie dołączona w zestawie) - zdjęcie 9. W tym celu odkręć i zdjąć korek zamykający otwór ciągłego odprowadzania wody (7). Następnie włóż wąż spustowy (nie wchodzi w skład zestawu) do wylotu wody i umieść drugi koniec w pojemnym naczyniu.

URZĄDZENIA OCHRONNE

1. Zabezpieczenie przed zamrażaniem: występuje w trybie chłodzenia, osuszania lub ekonomicznego oszczędzania energii, jeśli temperatura rury wywiewu jest zbyt niska, urządzenie automatycznie przejdzie w stan ochrony; jeśli temperatura rury wywiewu wzrośnie do określonej temperatury, zabezpieczenie przywróci automatycznie urządzenie do normalnej pracy.
2. Zabezpieczenie przed przepełnieniem: przeczytaj rozdział INSTRUKCJA ODPROWADZANIA WODY. Po opróżnieniu wody urządzenie automatycznie powróci do pierwotnego stanu.
3. Automatyczne odszranianie: urządzenie ma funkcję automatycznego odszraniania: podczas odszraniania symbol ogrzewania na wyświetlaczu będzie migać.
4. Zabezpieczenie sprężarki: aby wydłużyć żywotność sprężarki, ma ona 3-minutowe opóźnienie rozruchu po wyłączeniu sprężarki.

CZYSZCZENIE I KONSERWACJA

Czyszczenie: przed czyszczeniem i konserwacją wyłącz urządzenie i wyjmij wtyczkę z gniazdka.

1) Czyszczenie obudowy

Oczyść powierzchnię urządzenia wilgotną, miękką ściereczką. Nie używaj chemikaliów, takich jak benzen, alkohol, benzyna, w przeciwnym razie powierzchnia urządzenia zostanie zniszczona, a nawet całe urządzenie zostanie uszkodzone.

2) Czyszczenie filtrów

Jeśli filtr jest zapchany kurzem, wówczas skuteczność urządzenia jest zmniejszona, należy czyścić filtry raz na dwa tygodnie. Wyczyść górne i dolne ramki filtrów po wyjęciu ich z tylnej części urządzenia - zdjęcie 8.

* Górna rama filtra: Chwyć rękami zatrzask ramy filtra (22). Wciśnij go aby wyjąć ramkę filtra. Odkręć cztery śruby mocujące (21) i wyjmij siatkę filtra (jak pokazano na rysunku 8).

* Dolna rama filtra: Chwyć uchwyt ramki z filtrem i pociągnij ją delikatnie na zewnątrz, aby ją wyjąć.

* Włóż filtry do ciepłej wody z neutralnym detergentem (około 40 °C / 104 °F) i osusz w nienasłonecznionym miejscu po splukaniu.

PRZECHOWYWANIE

Jeśli urządzenie nie będzie używane przez dłuższy czas, wykonaj następujące czynności:

1. Wyciągnij korek spustowy (8), aby wypuścić wodę.
2. Pozwól urządzeniu pracować w trybie wentylatora przez 2 godziny, aby wysuszyć wnętrze urządzenia.
3. Wyłącz urządzenie i wyciągnij wtyczkę.
4. Wyczyść i osusz filtry, a następnie zainstaluj je ponownie.
5. Wyciągnij rurę wywiewu w celu należytego przechowywania.
6. Umieść urządzenie w plastikowej torbie, w suchym miejscu.
7. Wyjmij baterie z pilota i trzymaj je prawidłowo.

ROZWIĄZYWANIE PROBLEMÓW

Problem I.: Urządzenie nie działa.

Powód 1: Brak prądu. Tak więc włącz urządzenie po podłączeniu do gniazdka elektrycznego.

Powód 2: Lampka kontrolna zapelnienia wodą wyświetla „FL”. Więc spuść wodę.

Powód 3: W trybie chłodzenia temperatura w pomieszczeniu jest niższa niż temperatura ustawiona. Zatem zmień poziom temperatury.

Powód 4: W trybie osuszania temperatura otoczenia jest niska. Należy pamiętać, że urządzenie umieszcza się w pomieszczeniu o temperaturze otoczenia wyższej niż 17 °C (62 °F).

Powód 5: Temperatura otoczenia jest za niska lub za wysoka. Zaprojektowana temperatura pracy urządzenia to 7-35°C (44-95°F).

Problem II .: Efekt chłodzenia nie jest dobry.

Powód 1: Bezpośrednie działanie na urządzenie światła słonecznego. Zatem zaciągnij zasłony.

Powód 2: Drzwi i okna są otwarte, wiele źródeł ciepła w pomieszczeniu. Więc zamknij drzwi i okna, usuń źródła ciepła.

Powód 3: Filtry są zbyt brudne. Więc wyczyść lub wymień filtry.

Powód 4: Wlot lub wylot powietrza jest zablokowany. Więc usuń blokadę.

Problem III .: Duży hałas

Powód: urządzenie nie jest ustawione na płaskiej powierzchni. Ustaw urządzenie na płaskim i twardym miejscu, aby zmniejszyć hałas.

Problem IV .: Kompresor nie działa.

Powód: Włącza się zabezpieczenie opóźniające rozruch sprężarki. Poczekać 3 minuty, aż temperatura zostanie obniżona, a następnie uruchom ponownie urządzenie.

Problem V .: Pilot nie działa.

Powód 1: Odległość między urządzeniem, a pilotem zdalnego sterowania jest zbyt duża. Zbliż pilot do urządzenia i upewnij się, że pilot jest skierowany bezpośrednio w stronę odbiornika zdalnego sterowania.

Powód 2: Pilot nie jest ustawiony w jednej linii z kierunkiem odbiornika pilota. Zbliż pilot do urządzenia i upewnij się, że pilot jest skierowany bezpośrednio w stronę odbiornika zdalnego sterowania.

Powód 3: Baterie są zużyte. Więc wymień baterie.

Problem V .: Wyświetlacz pokazuje: „E1”.

Powód: Czujnik temperatury rury działa nieprawidłowo. Skontaktuj się z profesjonalną obsługą, aby uzyskać pomoc.

Problem VI .: Wyświetlacz pokazuje: „E2”.

Powód: Czujnik temperatury w pomieszczeniu działa nieprawidłowo. Skontaktuj się z profesjonalną obsługą, aby uzyskać pomoc.

Uwaga: w przypadku wystąpienia nienormalnych sytuacji wyłącz urządzenie i wyciągnij wtyczkę, a następnie skontaktuj się z profesjonalnym serwisem w celu uzyskania pomocy.

Nie naprawiaj urządzenia samodzielnie. Niekwalifikowana naprawa spowoduje utratę gwarancji.

DANE TECHNICZNE:

Wydajność chłodnicza w BTU: 12000 BTU / godzinę

Moc chłodzenia w watach: 3520 W

Zużycie energii (chłodzenie) w watach: 1350 W

Przepływ powietrza: 400 m³ / godzinę

Wydajność osuszania: 28 litrów / 24 godziny

Klasa energetyczna: A

Wyłącznik czasowy: 1-24 godzin

Czynnik chłodzący: R290, 230 g

Poziom hałasu: <65dB

Napięcie: 220–240 V ~ 50 Hz



Uwaga, ryzyko pożaru.

NIE przekłuwać ani nie podpalać

Należy pamiętać, że czynnik chłodniczy może być bezwonne

شروط السلامة. تعليمات هامة لسلامة الاستخدام. يرجى القراءة بعناية والاحتفاظ بها للرجوع إليها في المستقبل

١. قبل استخدام الجهاز ، اقرأ دليل التشغيل واتباع التعليمات الواردة فيه. المُصنَّع غير مسؤول عن ١. الأضرار الناجمة عن استخدام الجهاز خلافاً للغرض المقصود منه أو التشغيل غير السليم.
٢. الجهاز للاستخدام المنزلي فقط. لا تستخدمه لأغراض أخرى ليست للغرض المقصود منها.
٣. يجب توصيل الجهاز بمأخذ تيار متردد فقط مع ٢٢٠-٢٤٠ فولت ~ ٥٠ هرتز. لزيادة السلامة.
- التشغيلية ، يجب عدم توصيل العديد من الأجهزة الكهربائية بدائرة تيار واحدة في نفس الوقت
٤. توخي الحذر الشديد عند استخدام الجهاز عندما يكون الأطفال في مكان قريب. لا تسمح للأطفال .
باللعب بالجهاز ، ولا تسمح للأطفال أو الأشخاص غير المعتادين على الجهاز باستخدامه
٥. تحذير: يمكن استخدام هذا الجهاز من قبل الأطفال الذين تزيد أعمارهم عن ٨ سنوات والأشخاص ذوي .
القدرة البدنية أو الحسية أو العقلية المحدودة ، أو الأشخاص الذين ليس لديهم خبرة أو معرفة بالمعدات
إذا تم ذلك تحت إشراف شخص مسؤول حفاظاً على سلامتهم أو منحهم معلومات عن الاستخدام الآمن
للجهاز وإدراكهم لأخطار استخدامه. يجب ألا يلعب الأطفال بالمعدات. لا ينبغي أن يقوم الأطفال بتنظيف
الجهاز وصيانته ، إلا إذا كان عمره أكبر من ٨ سنوات ويتم تنفيذ هذه الأنشطة تحت إشراف
٦. أفضل قابس الطاقة دائماً عن طريق إمساك المقبس بيدك بعد الاستخدام. لا تسحب سلك الطاقة
٧. لا تغمر الكابل والقابس والجهاز بالكامل في الماء أو أي سائل آخر. لا تعرض الجهاز للظروف
الجوية (مطر ، شمس ، إلخ) أو تستخدمه في ظروف الرطوبة العالية (الحمامات ، المنازل المتحركة
(الرطوبة
٨. افحص بشكل دوري حالة سلك الطاقة. في حالة تلف سلك الطاقة ، يجب استبداله بمحل إصلاح
متخصص لتجنب الخطر
٩. لا تستخدم الجهاز مع سلك طاقة تالف أو إذا سقط أو تعرض للتلف بأي طريقة أخرى أو إذا كان لا .
يعمل بشكل صحيح. لا تقم بإصلاح الجهاز بنفسك ، حيث يوجد خطر حدوث صدمة كهربائية. خذ الجهاز
التالف إلى مركز خدمة مناسب لفحصه أو إصلاحه. لا يجوز إجراء جميع الإصلاحات إلا من خلال نقاط
الخدمة المعتمدة. يمكن أن تتسبب الإصلاحات التي يتم إجراؤها بشكل غير صحيح في خطر كبير على
المستخدم
١٠. ضع الجهاز على سطح بارد وثابت ، بعيداً عن أجهزة المطبخ الساخنة مثل: الموقد الكهربائي .
وموقد الغاز ، وما إلى ذلك
- تأكد من عدم وجود أي شيء يسد مدخل ومخرج الهواء بالجهاز . ١١.
- استخدم الجهاز فقط على سطح مستوٍ لمنع التكاثف من الانسكاب ١٢.
- في الدائرة الكهربائية بتيار (RCD) لتوفير حماية إضافية ، يُنصح بتركيب جهاز التيار المتبقي ١٣.
متبقي مُقدر لا يتجاوز ٣٠ ملي أمبير. اسأل كهربائياً عن هذا
- نظف مرشح الهواء بانتظام. يعتمد تكرار التنظيف على نظافة الهواء ١٤.
- بعد إيقاف تشغيل الجهاز ، انتظر ٥ دقائق على الأقل قبل إعادة تشغيله ١٥.
- لا تستخدم الجهاز في الأماكن المشمسة. عندما ترتفع درجة حرارة الجهاز ، سيتم تشغيل الحماية من ١٦.
الحرارة الزائدة على الجهاز
- لضمان التبريد الفعال ، يجب إبقاء مسافة لا تقل عن ٥٠ سم بين الجدران الجانبية للجهاز والحائط أو ١٧.
الأثاث أو الستائر
- نظراً للآداء المحدود للجهاز ، إذا كان الفرق بين درجة الحرارة المستهدفة ودرجة الحرارة المحيطة ١٨.

كبيرًا جدًا ، فقد لا يتم الوصول إلى درجة الحرارة المستهدفة

لتقليل مخاطر نشوب حريق أو صدمة كهربائية أو إصابة عند استخدام مكيف الهواء ، يجب مراعاة ١٩.

الاحتياطات الأساسية التالية

(أ) قم بالتوصيل بمخرج مؤرض بثلاثة دبابيس

(ب) لا تقم بإزالة سن التأريض

(ج) لا تستخدم المحول

(د) لا تستخدم سلك تمديد

(هـ) افصل مكيف الهواء قبل الصيانة

(و) استخدم شخصين أو أكثر لتحريك وتركيب المكيف

لا تستخدم عوامل تسرع من عملية إزالة الجليد أو التنظيف بخلاف تلك التي أوصت بها الشركة ٢٠.

المصنعة

يجب أن يتم تخزين الجهاز في غرفة دون تشغيل مصادر الاشتعال باستمرار ، على سبيل المثال ٢١.

النار المفتوحة ، أجهزة الغاز أو السخانات الكهربائية

وصف الجهاز

1. لوحة التحكم

2. تنقيس قابل للتعديل

3. الإسكان مرشح الهواء

4. مدخل الهواء

5. ضع القابض

6. تركيب أنبوب العادم

7. فتحة تصريف لتصريف المياه بشكل مستمر

8. فتحة تصريف لتصريف المياه بالكامل من الجهاز

9. TIMER زر

10. FAN زر

11. UP / DOWN زر الحرارة وزر الوقت

12. زر اختيار الوضع

13. زر الطاقة

14. شاشة LCD

زر التنديب العمودي

16. زر لتغيير وحدة درجة الحرارة

17. زر وضع السكون

18. "FL" مصباح التحكم الكامل في خزان المياه

19. أنبوب العادم

20. تجميع لوحة ختم النافذة

21. الاحتفاظ المسمار

22. كتلة الوتد للمرشح العلوي

23. كتلة الوتد للمرشح السفلي

التجميع

قبل الاستخدام لأول مرة ، قم بتجميع الجهاز على النحو التالي

1. يجب وضع الجهاز على سطح مستو. يجب ألا تقل المسافة إلى الحائط أو الأشياء الأخرى عن 50 سم حتى لا تحد من تدفق الهواء - انظر إلى الصورة 6. لا ١.

2. يتم تثبيت واستخدام الجهاز في الحمام أو في البيئات عالية الرطوبة

(20): قم بتثبيت مجموعة لوحة إحكام إغلاق النافذة

(أ) نصف افتح النافذة ، وقم بتركيب مجموعة لوحة إغلاق النافذة (20) على النافذة (كما هو موضح في الصورة 5) ؛ يمكن وضع التجميع (20) في الاتجاه الأفقي والرأسي

(ب) اسحب المكونات المختلفة لتجميع لوحة إغلاق النافذة ، واضبط مسافة الفتح لجعل طرفي التجميع في اتصال مع إطار النافذة ، وإصلاح مكونات المجموعة

قم بإطالة أنبوب العادم (19) واضغط على الطرف المسطح لمفاصل الأنابيب الحرارية في الفتحة الإهليلجية لمجموعة لوحة إغلاق النافذة (كما هو موضح 3.

في الصورة 6

ملاحظات: 1. يجب تثبيت الطرف المسطح لوصلات أنبوب العادم في مكانه

يجب أن يكون طول خرطوم العادم من 280 إلى 1500 مم ، ولا يمكن تشويبه أو دورهان بشكل كبير (أكبر من 45 درجة). يجب أن يكون العادم دون عائق 4.

؛ وإلا فقد يتسبب ذلك في ارتفاع درجة الحرارة. لا تستخدم أنابيب التمديد أو استبدالها بخراطيم أخرى مختلفة ، وإلا فقد يتسبب ذلك في حدوث خلل

تشغيل الجهاز

بعد توصيل الجهاز بالتيار الكهربائي، سيعمل الجرس على تشغيل الموسيقى، وسوف ينتقل إلى وضع الاستعداد ويعرض درجة الحرارة المحيطة الحالية (13) لتشغيل الجهاز أو إيقاف تشغيله، اضغط على الزر 1.

COOL -> FAN -> DRY :اضغط على الزر (12) لتحديد أحد الأوضاع المتاحة 2.

(لا يتوفر في وضع المروحة وإزالة الرطوبة) UP / DOWN اضبط درجة الحرارة باستخدام زر COOL في وضع 3.

لكن سرعة الرياح (F1) WEAK (F2) MEDIUM (F3) STRONG : لضبط سرعة المروحة (10) FAN استخدم زر FAN أو COOL أثناء وضعي 4. محدودة بسبب الظروف المضادة للبرودة، وفي ظل ظروف معينة، قد لا تعمل وفقاً لسرعة الرياح المحددة. في الوضع الجاف، يتم ضبط المروحة تلقائياً على مستوى ضعيف

لتعيين وقت تنشيط الجهاز عن (11) UP / DOWN اضغط على زر (9) TIMER عند إيقاف تشغيل الجهاز، يمكن تشغيله مع تأخير بالضغط على زر 5. UP / DOWN اضغط على زر (9) TIMER طريق اختيار الوقت في نطاق 1-24 ساعة. عند تشغيل الجهاز، يمكن إيقاف تشغيله مع تأخير بالضغط على زر لضبط وقت إيقاف تشغيل الجهاز عن طريق اختيار الوقت في نطاق 1-24 ساعة (11)

في جهاز التحكم عن بعد، يمكن تحويل الجهاز إلى وضع (17) SLEEP أو بالضغط على الزر (10) FAN وزر (11) UP بالضغط في نفس الوقت على الزر 6. DRY و FAN ولا تتوقف في وضعي COOL السكون. سيعمل الجهاز بعد ذلك بهدوء في وضع توفير الطاقة. هذه الوظيفة متاحة فقط في وضع

يمكن تغيير الوحدات (<-> °F) لدرجة حرارة الغرفة المطلوبة عن طريق الضغط على الزر (16) الموجود في جهاز التحكم عن بعد أو الضغط في نفس 7. (°F) الوقت على كلا الزرين لأعلى (11) ومفتاح الأسفل (11) للتدليل بين درجة مئوية (°C) وفهرنهايت

اضغط على الزر (15) لبدء اهتزاز الهواء، وستتحرك الستائر عمودياً. اضغط عليه مرة أخرى لوقف تذبذب الهواء 8.

تعليمات الصرف

كما سيضوء "FL" (14) LCD الصرف اليدوي: عندما يتجاوز الماء في حوض الماء مستوى التحذير، سيصدر الجهاز تلقائياً إنذاراً وستظهر منطقة شاشة مصباح التحكم الكامل في الماء (18). ثم قم بإيقاف تشغيل الجهاز وإزالة القابس من المقبس. قم بتحريك الجهاز بحذر، حتى لا ينسكب الماء في وعاء الماء الموجود أسفل الهيكل. ثم ضع بعض الحواشي (غير مدرجة في المجموعة) تحت فتحة التصريف (8)، وقم بفكها وإزالة الغطاء لإغلاق الفتحة - انظر إلى الصورة 7. اترك الماء يتدفق، أثناء الصرف، يمكن إمالة الغطاء قليلاً للخلف. ثم قم بتثبيتها مرة أخرى وتشغيل الجهاز الصرف المستمر: في الوضع الجاف والجاف، يمكنك توصيل الأنابيب (غير مدرج في المجموعة) بالصرف المستمر - الصورة 9. للقيام بذلك، قم بفك وإزالة الغطاء لإغلاق فتحة تصريف المياه المستمر (7). بعد ذلك، ضع خرطوم الصرف (غير مدرج في المجموعة) في مخرج المياه وضع الطرف الآخر في وعاء واسع..

أجهزة الحماية

وظيفة الحماية من الصقيع: في التبريد أو إزالة الرطوبة أو وضع توفير الطاقة الاقتصادي، إذا كانت درجة حرارة أنبوب العادم منخفضة جداً، فسوف 1. تدخل الماكينة تلقائياً في حالة الحماية؛ إذا ارتفعت درجة حرارة أنبوب العادم إلى درجة حرارة معينة، فيمكن أن يعود تلقائياً إلى التشغيل العادي

وظيفة الحماية من التدفق الزائد: أقرأ فصل تعليمات الصرف. بعد تفريغ الماء، ستعود الآلة تلقائياً إلى حالتها الأصلية 2.

إزالة الصقيع الأوتوماتيكي: الجهاز مزود بوظيفة إزالة الصقيع الأوتوماتيكي: أثناء إزالة الصقيع، سيومض رمز التسخين على شاشة العرض 3.

وظيفة الحماية للضغط: لزيادة العمر التشغيلي للضغط، ولديه وظيفة حماية تمهيدية تأخير لمدة 3 دقائق بعد إيقاف تشغيل الضغوط 4.

التنظيف والصيانة

التنظيف: قبل التنظيف والصيانة، قم بإيقاف تشغيل الجهاز وافصل القابس

تنظيف المساكن 1)

نظف مع سطح الجهاز بقطعة قماش ناعمة مبللة. لا تستخدم مواد كيميائية، مثل البنزين، والكحول، والبنزين، وإلا فإن سطح الجهاز سينتفخ أو حتى الجهاز يكمله سينتفخ

تنظيف فلاتر الشبكة 2)

إذا كان الفلتر مسدوداً بالغبار، فعندئذٍ تقل فعالية الجهاز، فتأكد من تنظيف الفلتر مرة كل أسبوعين. قم بتنظيف إطارات المرشحات العلوية والسفلية بعد إزالتها من الجانب الخلفي للجهاز - الصورة 8

إطار شاشة الفلتر العلوي: قم بإغلاق كتلة التثبيت بإطار شاشة الفلتر باليد. استخدم القوة لأسفل من الخارج لإزالة إطار شاشة المرشح. قم بفك البراغي * الأربعة التي تثبت شاشة المرشح والمبيت الخلفي لإزالة شاشة المرشح (كما هو موضح في الصورة 8)

إطار شاشة الفلتر السفلي: أمسك بمقبض إطار شاشة الفلتر، واسحب للخارج برفق لإزالته * وضع كلتا مصافي المرشح في ماء دافئ بمنظف محايد (حوالي 40 درجة مئوية / 104 درجة مئوية) وجففهما في الظل بعد شطفهما نظيفاً *

تخزين

في حالة عدم استخدام الجهاز لفترة طويلة، يرجى القيام بما يلي

1. اسحب قابس الصرف (8) للخارج لتدفق المياه.

2. دغ الجهاز يعمل في وضع المروحة لمدة ساعتين لتجفيف الجزء الداخلي للجهاز.

3. قم بإيقاف تشغيل الجهاز واسحب القابس.

4. نظف المرشحات وجففها، ثم أعد تركيبها.

5. سحب أنبوب العادم للحفاظ على الأمان.

6. ضع الآلة في كيس بلاستيكي، وضعها في مكان جاف.

7. قم بإزالة بطاريات جهاز التحكم عن بعد واحتفظ بها بشكل صحيح.

استكشاف الأخطاء وإصلاحها

المشكلة الأولى: تكييف الهواء لا يعمل

السبب الأول: لا توجد كهرباء. لذا، قم بتشغيله بعد توصيله بمقبس بالكهرباء
إذا، قم بتصريف الماء "FL" السبب الثاني: يعرض مصباح التحكم الكامل بالماء

السبب 3: في وضع التبريد، تكون درجة حرارة الغرفة أقل من درجة الحرارة المحددة. لذا، قم بتغيير مستوى درجة الحرارة

السبب 4: في وضع إزالة الرطوبة ، تكون درجة الحرارة المحيطة منخفضة. يرجى ملاحظة أن الجهاز موضوع في غرفة ذات درجة حرارة محيطية تزيد عن درجة مئوية (62 درجة مئوية) 17

السبب 5: درجة الحرارة المحيطة منخفضة جدًا أو مرتفعة جدًا. درجة حرارة التشغيل المقصودة للجهاز هي 35-73 °F (44-95). المشكلة الثانية: تأثير التبريد ليس جيدًا

السبب 1: ضوء الشمس المباشر. لذلك ، سحب الستائر

السبب 2: الأبواب والنوافذ مفتوحة ، العديد من مصادر الحرارة في الغرفة. لذا ، أغلق الباب والنوافذ ، وأخرج مصادر الحرارة

السبب 3: المرشحات متسخة جدًا. لذلك ، قم بتنظيف أو استبدال المرشحات

السبب 4: مدخل الهواء أو خروج الهواء مسدود. لذا ، قم بإزالة الانسداد

المشكلة الثالثة: ضوءاء كبيرة

السبب 1: عدم وضع الجهاز على سطح مستو. لذلك ، ضع الجهاز في مكان مسطح وقاس لتقليل الضوضاء

المشكلة الرابعة: الضاغط لا يعمل

السبب: تشغيل الحماية من تأخير وقت الضاغط. لذا ، انتظر لمدة 3 دقائق حتى تنخفض درجة الحرارة ، ثم أعد تشغيل الجهاز

المشكلة الخامسة: جهاز التحكم عن بعد لا يعمل

السبب 1: المسافة بين الجهاز وجهاز التحكم عن بعد بعيدة جدًا. لذلك ، دع جهاز التحكم عن بعد يقترب من تكييف الهواء ، وتأكد من أن جهاز التحكم عن بعد

يواجه مباشرة اتجاه جهاز التحكم عن بعد

السبب 2: جهاز التحكم عن بعد غير متوافق مع اتجاه مستقبل جهاز التحكم عن بعد. لذلك ، دع جهاز التحكم عن بعد يقترب من تكييف الهواء ، وتأكد من أن جهاز

التحكم عن بعد يواجه مباشرة اتجاه جهاز التحكم عن بعد

السبب 3: البطاريات نفدت. لذا ، استبدل البطاريات

المشكلة الخامسة: يظهر العرض

السبب: حساس درجة حرارة الأنابيب غير طبيعي. لذا ، اتصل بالخدمة المهنية للحصول على المساعدة

المشكلة السادسة: يظهر العرض

السبب: حساس درجة حرارة الغرفة غير طبيعي. لذا ، اتصل بالخدمة المهنية للحصول على المساعدة

ملاحظة: عند حدوث مواقف غير طبيعية ، قم بإيقاف تشغيل الجهاز واسحب القابس ، ثم اتصل بخدمة احترافية

لا تقم بإصلاح الجهاز بنفسك. الإصلاح غير المؤهل سيلغي الضمان



معلومات تقنية:

وحدة حرارية بريطانية / الساعة 12000 BTU: سعة التبريد عند

قدرة التبريد بالواط: 3520 وات

استهلاك الطاقة (التبريد) بالواط: 1350 واط

تدفق الهواء: 400 م³ / ساعة

سعة التجفيف: 28 لتر / 24 ساعة

فئة الطاقة: أ

المؤقت: 1-24 ساعة

جرام R290 :عامل التبريد

مستوى الضوضاء: <65 ديسيبل

الجهد: 220-240 فولت ~ 50 هرتز

الحذر من خطر نشوب حريق.

لا تحترق أو تحرق.

اعلم أن المبرد قد لا يحتوي على رائحة.

يرجى نقل عيوب الورق المقوى إلى نفايات الورق. اسكب أكياس البولي إيثيلين في الحاوية البلاستيكية
يجب إعادة الجهاز البالي إلى نقطة تخزين مناسبة لأنه خطير في الجهاز
قد تشكل المكونات تدهيداً للبيئة. يجب تسليم الجهاز الكهربائي للحد

غليك إخراجها وإعطائها إلى النقطة المخزنة بشكل منفصل. إعادة استخدامها واستخدامها. إذا كان هناك بطاريات في الجهاز



(BG) БЪЛГАРСКИ

УСЛОВИЯ ЗА БЕЗОПАСНОСТ. ВАЖНИ ИНСТРУКЦИИ ЗА БЕЗОПАСНОСТ НА ИЗПОЛЗВАНЕ. МОЛЯ, ПРОЧЕТЕТЕ ВНИМАТЕЛНО И ПАЗЕТЕ ЗА БЪДЕЩИ РЕФЕРЕНЦИИ

1. Преди да използвате продукта, моля, прочетете внимателно и винаги спазвайте следните инструкции. Производителят не носи отговорност за щети, причинени от злоупотреба.

2. Продуктът трябва да се използва само на закрито. Не използвайте продукта за цели, които не са съвместими с приложението му.

3. Устройството трябва да бъде свързано само към променливотоков контакт със заземено напрежение 220 240V ~ 50Hz. За да се повиши безопасността при работа, няколко електрически устройства не трябва да бъдат свързани към един контакт едновременно.

4. Внимавайте изключително много, когато използвате устройството, когато децата са наблизо. Не позволявайте на децата да играят с устройството, не позволявайте на деца или хора, които не са запознати с устройството, да го използват.
5. **ПРЕДУПРЕЖДЕНИЕ:** Това оборудване може да се използва от деца над 8-годишна възраст и хора с ограничени физически, сензорни или умствени способности или хора, които нямат опит или познания за устройството, ако това се прави под наблюдението на отговорно лице за тяхната безопасност или им е била предоставена информация за безопасното използване на устройството и са наясно с опасностите от използването му. Децата не трябва да играят с оборудването. Почистването и поддръжката на устройството не трябва да се извършва от деца, освен ако са на възраст над 8 години и тези дейности се извършват под наблюдение.
6. Винаги изключвайте щепсела след употреба, като държите контакта с ръка. НЕ дърпайте захранващия кабел.
7. Не потапяйте кабела, щепсела и цялото устройство във вода или друга течност. Не излагайте устройството на атмосферни условия (дъжд, слънце и др.) Не използвайте в условия на висока влажност (бани, влажни мобилни домове).
8. Периодично проверявайте състоянието на захранващия кабел. Ако захранващият кабел е повреден, той трябва да бъде заменен от специализиран сервиз, за да се избегне опасност.
9. Не използвайте уреда с повреден захранващ кабел или ако той е изпуснат или повреден по някакъв друг начин, или ако не работи правилно. Не ремонтирайте устройството сами, тъй като съществува риск от токов удар. Занесете повреденото устройство в подходящ сервизен център за проверка или ремонт. Всички ремонти могат да се извършват само от оторизирани сервизни центрове. Неправилно извършените ремонти могат да създадат сериозна опасност за потребителя.
10. Поставете устройството на хладна, стабилна повърхност, далеч от горещи кухненски уреди като: електрическа печка, газови котлони и др.
11. Уверете се, че нищо не блокира входа и изхода за въздух на устройството
12. Използвайте устройството само на равна повърхност, за да предотвратите изтичането на конденз.
13. За да се осигури допълнителна защита, препоръчително е да се инсталира устройство за остатъчен ток (RCD) в електрическата верига с номинален остатъчен ток, който не надвишава 30 mA. Попитайте електротехник за това.
14. Почиствайте редовно въздушния филтър. Честотата на почистване зависи от чистотата на въздуха.
15. След като изключите машината, изчакайте поне 5 минути, преди да я включите отново.
16. Не използвайте устройството на слънчеви места. Когато устройството прегрее, защитата от прегряване ще изключи устройството.
17. За да се осигури ефективно охлаждане, трябва да се спазва разстояние от поне 50 см между повърхността на устройството и стената, мебелите или завесите.

18. Поради ограничената производителност на устройството, ако разликата между целевата температура и околната температура е твърде голяма, целевата температура може да не бъде достигната.

19. За да намалите риска от пожар, токов удар или нараняване при използване на климатика, спазвайте следните основни предпазни мерки:

а) Свържете към заземен контакт с 3 щифта.

б) Не отстранявайте заземителния щифт.

в) Не използвайте адаптер.

г) Не използвайте удължителен кабел.

д) Изключете климатика преди сервизиране.

е) Използвайте двама или повече души за преместване и инсталиране на климатика.

20. Не използвайте почистващи средства, ускоряващи процеса на размразяване и различни от препоръчаните от производителя.

21. Устройството трябва да се съхранява в помещение без постоянни енергийни източници, например: открит огън, газови уреди или електрически нагреватели.

ОПИСАНИЕ НА УСТРОЙСТВОТО

1. Контролен панел

2. Регулируем отдушник

3. Корпус на въздушния филтър

4. Вход за въздух

5. Гнездо за щепсела

6. Приспособление за монтаж на изпускателната тръба

7. Дренажен отвор за непрекъснато изпускане на вода

8. Дренажен отвор за пълно източване на водата от устройството

9. Бутон за ТАЙМЕР

10. Бутон за ВЕНТИЛАТОР

11. Бутон за температура - НАГОРЕ / НАДОЛУ и време

12. Бутон за избор на РЕЖИМ

13. Бутон за ВКЛЮЧВАНЕ

14. LCD дисплей

15. Бутон за вертикално люлеене

16. Бутон за смяна на температурната единица

17. Бутон за СПЯЩ режим

18. Контролна лампа за пълен резервоар за вода „FL“

19. Изпускателна тръба

20. Сглобка на панела на прозореца

21. Закрепващ винт

22. Клиновиден блок за горен филтър

23. Клиновиден блок за долен филтър

МОНТАЖ

Преди първата употреба сглобете устройството, както е показано по-долу:

1. Устройството трябва да бъде поставено на равна повърхност. Разстоянието до стената или други предмети трябва да бъде поне 50 см, за да не ограничите въздушния поток - вижте снимка 6. Не инсталирайте и не използвайте устройството в баня или друга среда с висока влажност.

2. Монтирайте уплътнителния панел на прозореца (20):

а) Отворете наполовина прозореца и монтирайте уплътнителния панел на прозореца (20) към прозореца (както е показано на снимка 5);(20) може да бъде монтиран в хоризонтална и вертикална посока.

б) Монтирайте компонентите към уплътнителният панел на прозореца, регулирайте разстоянието и поставете двата края на панела в рамката на прозореца, и фиксирайте с компонентите за монтаж.

3. Удължете изпускателната тръба (19) и щракнете плоския край на тръбата в елипсовидния отвор на уплътнителния панел на прозореца (както е показано на снимка 6).

Забележки: 1. Плоският край на изпускателната тръба трябва да щракне на мястото си.

4. Дължината на изпускателната тръба трябва да бъде между 280-1500 мм, тя не може да бъде изкривена, нито да има значително осукване (по-голямо от 45 °). Изпускателната тръба не може да бъде безпрепятствена; в противен случай може да причини прегряване. Не използвайте други удължителни тръби и не подменяйте с тръби с различни характеристики, или това може причини неизправност.

РАБОТА НА УСТРОЙСТВОТО

След като свържете устройството към електрическата мрежа, ще се пусне музика и уредът ще премине в режим на готовност и ще покаже настоящата температура на околната среда.

1. За да включите или изключите устройството, натиснете бутон (13).
2. Натиснете бутон (12), за да изберете един от наличните режими: COOL (ОХЛАЖДАЩ) -> FAN (ВЕНТИЛАТОР) -> DRY (СУХ)
3. В режим COOL задайте температурата, като използвате бутоните НАГОРЕ / НАДОЛУ (11). (Не се предлага в режим на вентилатор и в сухия режим).
4. По време на режимите COOL или FAN използвайте бутона FAN (10), за да зададете скоростта на вентилатора: STRONG (СИЛНА) (F3), MEDIUM (СРЕДНА) (F2), WEAK (СЛАБА) (F1). Скоростта на вятъра е ограничена от атмосферните условия. При определени условия може да не работи според зададената скорост на вятъра. В режим DRY вентилаторът автоматично се настройва на ниво WEAK.
5. Когато устройството е изключено, то може да се включи със закъснение, след като натиснете бутона TIMER (9). Натиснете бутоните НАГОРЕ / НАДОЛУ (11), за да зададете времето за активиране на устройството, като изберете времето в диапазона от 1-24 часа.
6. Чрез едновременно натискане на бутона НАГОРЕ (11) и бутона FAN (10) или чрез натискане на бутона SLEEP (17) на дистанционното управление, устройството може да се превключи в режим на заспиване. След това устройството ще работи безшумно в енергоспестяващ режим. Тази функция е налична само в COOL режим и не се предлага в режими FAN и DRY.
7. Единиците (<->) на необходимата стайна температура могат да се променят чрез натискане на бутон (16) на дистанционното управление или едновременно натискане и на двата бутона нагоре (11) и надолу (11) (за да превключвате между Целзий () и Фаренхайт ()).
8. Натиснете бутон (15), за да стартирате люлеене - щорите ще се движат вертикално. Натиснете го отново, за да спрете люлеенето.

ИНСТРУКЦИИ ЗА ДРЕНАЖ

РЪЧЕН ДРЕНАЖ: Когато водата във водния съд надвиши максималното ниво, устройството автоматично ще издаде звук и LCD дисплей (14) ще покаже "FL". Също така контролната лампа за ПЪЛНА ВОДА (1) ще светне. След това изключете устройството и извадете щепсела от контакта. Преместете устройството внимателно, за да не разлеее водата от водния съд на дъното на корпуса. След това поставете малък съд (не е включен в комплекта) под дренажния отвор (8), развийте и свалете капачката, затваряща отвора - вижте снимка 7. Оставете водата да се излее. По време дренаж, корпусът може да се наклони леко назад. След това инсталирайте отново и включете устройството.

Непрекъснат дренаж: В режим COOL и DRY можете да свържете тръба (не е включена в комплекта) към постоянният дренаж – снимка 9. За да направите това, развийте и свалете капачката, затваряща отвора на непрекъснатото оттичане на водата (7). След това поставете дренажната тръба (не е включена в комплекта) във отвора за вода и поставете другия край в дълбок съд.

УСТРОЙСТВА ЗА ЗАЩИТА

1. Функцията за защита от замръзване: в режим на охлаждане, овлажняване или икономично енергоспестяване, ако температурата на изпускателната тръба е твърде ниска, машината автоматично ще влезе в състояние на защита; ако температурата на изпускателната тръба се повиши до определена температура, тя може автоматично да се върне до нормална работа.
2. Функция за защита от преливане: прочетете глава „ИНСТРУКЦИИ ЗА ДРЕНАЖ“. След като водата бъде излята, машината автоматично ще се върне в първоначалното състояние.
3. Автоматично размразяване: устройството има функция за автоматично размразяване: по време на размразяване, дисплей ще примигва.
4. Защитна функция на компресора: за да се увеличи експлоатационният живот на компресора, той има 3 минути забавяне на функцията, за защита при стартиране след изключване на компресора.

ПОЧИСТВАНЕ И ПОДДРЪЖКА

Почистване: преди почистване и поддръжка изключете устройството и извадете щепсела от контакта.

1) Почистване в жилища

Почистете повърхността на устройството с мокра, мека кърпа. Не използвайте химикали, като бензен, алкохол или Бензин. В противен случай повърхността на устройството или дори цялата машина ще бъде повредена.

2) Почистване на мрежови филтри

Ако филтърът е запушен с прах, тогава ефективността на устройството е намалена. Бъдете сигурни, че

почиствете филтъра веднъж на всеки две седмици. Почистете горната и долната рамка на филтрите, след като ги премахнете от задната страна на устройството - снимка 8.

* Горна рамка на филтъра: Хванете клиновидния блок на рамката на филтъра с ръце. Натиснете навън, за да премахнете рамката на филтъра. Развийте четирите винта, фиксиращи филтъра и задния корпус за отстраняване на филтъра (както е показано на снимка 8).

* Долна рамка на екрана на филтъра: Дръжте дръжката на рамката на филтъра и я издърпайте внимателно навън за да я премахнете.

* Поставете двата филтърни панела в топла вода с неутрален препарат (около 40 / 104) и ги подсушете на сянка след изплакване.

СЪХРАНЕНИЕ

Ако устройството няма да се използва дълго време, моля, направете следното:

1. Извадете дренажната тапа (8), за да изтече водата.
2. Оставете устройството да работи в режим на вентилатор за 2 часа, за да изсъхне вътрешността на устройството.
3. Изключете устройството и издърпайте щепсела.
4. Почистете и подсушете филтрите, след това ги инсталирайте отново.
5. Извадете изпускателната тръба, за безопасно съхранение.
6. Поставете машината в найлонова торбичка и я поставете на сухо място.
7. Извадете батериите на дистанционното управление и ги съхранявайте правилно.

ОТСТРАНЯВАНЕ НА НЕИЗПРАВНОСТИ

Проблем I.: Климатикът не работи.

Причина 1: Няма електричество. Ако е така, включете го, след като го свържете към контакт с електричество.

Причина 2: Лампата за контрол на водата показва „FL“. Ако е така, източете водата.

Причина 3: В режим на охлаждане, стайната температура е по-ниска от зададената температура. Ако е така, променете температурата на устройството с по-ниска.

Причина 4: В режим на изсушаване, околната температура е ниска. Моля, имайте предвид, че устройството трябва да е поставено в стая с температура по-висока от 17 (62).

Причина 5: Температурата на околната среда е твърде ниска или твърде висока. Предвидената работна температура на устройството е 7-35 (44-95).

Проблем II.: Охлаждащият ефект не е добър.

Причина 1: Директна слънчева светлина. Ако е така, дръпнете завесите.

Причина 2: Вратата и прозорците са отворени, много източници на топлина в стаята. Ако е така, затворете вратата и прозорците, изнесете източниците на топлина.

Причина 3: Филтрите са твърде мръсни. Ако е така, почистете или заменете филтрите.

Причина 4: Входът за въздуха или изпускането на въздуха е блокиран. И така, премахнете препятствията.

Проблем III.: Голям шум

Причина: Устройството не е поставено на равна повърхност. Ако е така, поставете устройството на равна и твърда повърхност, за да намалите шума.

Проблем IV: Компресорът не работи.

Причина: Включва се защитата за забавяне на компресора. Ако е така, изчакайте 3 минути, докато температурата се понижи, и след това рестартирайте машината.

Проблем V.: Дистанционното управление не работи.

Причина 1: Разстоянието между машината и дистанционното управление е твърде голямо. Ако е така, доближете дистанционното управление до климатика и се уверете, че е обърнато директно към посоката на приемника на уреда.

Причина 2: Дистанционното управление не е директно в посоката на приемника на приемника на устройството. Ако е така, доближете дистанционното управление и се уверете, че е насочено директно към приемника на устройството.

Причина 3: Батериите са изтощени. Ако е така, сменете батериите.

Проблем V.: Дисплей показва: "E1".

Причина: Датчикът за температурата на тръбата е необичаен. Свържете се с професионален сервиз.

Проблем VI.: Дисплей показва: "E2".

Причина: Сензорът за стайна температура е необичаен. Свържете се с професионален сервиз.

Забележка: Когато възникнат необичайни ситуации, изключете машината и издърпайте щепсела, след което се свържете с професионален сервиз за помощ.

Не ремонтирайте устройството сами. Неквалифицираният ремонт ще анулира гаранцията.

ТЕХНИЧЕСКИ ДАННИ:

Капацитет на охлаждане в BTU: 12000 BTU / hour
Капацитет на охлаждане във ватове: 3520W
Консумация на енергия (охлаждане) във ватове: 1350W
Въздушно течение: 400 m³ / hour
Капацитет на сушене: 28 литра / 24 часа
Енергиен клас: A
Таймер: 1-24 hours
Охлаждащ агент: R290, 230 грама
Ниво на шума: < 65dB
Волтаж: 220-240 V ~ 50Hz



Внимание, риск от пожар.

НЕ пробивайте или изгаряйте.

Имайте предвид, че хладилният агент може да не съдържа мирис



За да защитите околната си среда: моля, отделете картонените кутии и найлоновите торбички и ги изхвърлете в съответните кошчета за отпадъци. Използваният уред трябва да бъде доставен до специалните пунктове за събиране, които могат да повлияят на околната среда. Не изхвърляйте този уред в обикновен кош за отпадъци.